



Rockford Fosgate

MOBILE • MARINE • MOTORSPORTS • MOTORCYCLE

PURPOSE BUILT AUDIO



INSTALLATION ADVISORY



M5-800X4



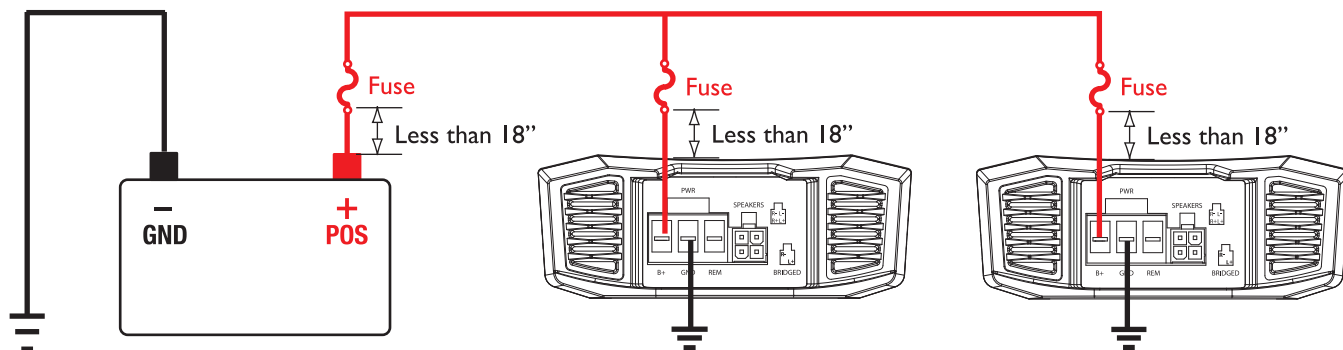
M5-1500X5



M5-1000X1

PROPERLY FUSE AMPLIFIERS WHEN USING A SINGLE POWER CABLE:

- Main power cable fusing is required within 18" of the battery.
- Individual fusing of each amplifier is required within 18" of the amplifier.



M5 REQUIRED FUSES

Safely delivering dynamic power requires safe, dynamic current draw. Littelfuse MAXI Slo-Blo® automotive blade fuses employ diffusion pill technology to provide predictable time-delayed performance.

M5-800X4

80 A MAXI Slo-Blo® automotive blade fuse. Littelfuse PN - 0299080.

M5-1500X5

80 A MAXI Slo-Blo® automotive blade fuse. Littelfuse PN - 0299080.

M5-1000X1

70 A MAXI Slo-Blo® automotive blade fuse. Littelfuse PN - 0299070.

MAXI FUSE HOLDER

Installing a high quality fuse holder like the Rockford Fosgate RFF-ANL offers safe, reliable electrical performance.

NOTE:

The B+ cable **MUST** be fused 18" or less from the battery.



Rockford Fosgate RFF-ANL

- If you do not feel comfortable with wiring, please see your local Authorized Rockford Fosgate Dealer for installation.
- Before installation, disconnect the battery negative (-) terminal to prevent damage to the unit, fire and/or possible injury.
- Avoid running power wires near signal cables, antenna, sensitive equipment or harnesses.