

The PRESET switch disables the control panel and sets this amp for the best sound to be used with your ROCKFORD FOSGATE stage kit audio system. Turn the switch OFF to manually adjust this amp.

PRESET SETTINGS

M5-800X4

Rockford Fosgate Stages 3 & 4 SXS kits
 Front Level - 1 O'Clock
 Rear Level - 3 O'Clock
 Front/Rear EQ - MIN
 Input Switch - 4CH*
 Front/Rear Crossover - 80Hz
 Front X-over Switch - HP
 Rear X-over Switch - LP

* Input switches are not controlled via preset switch.

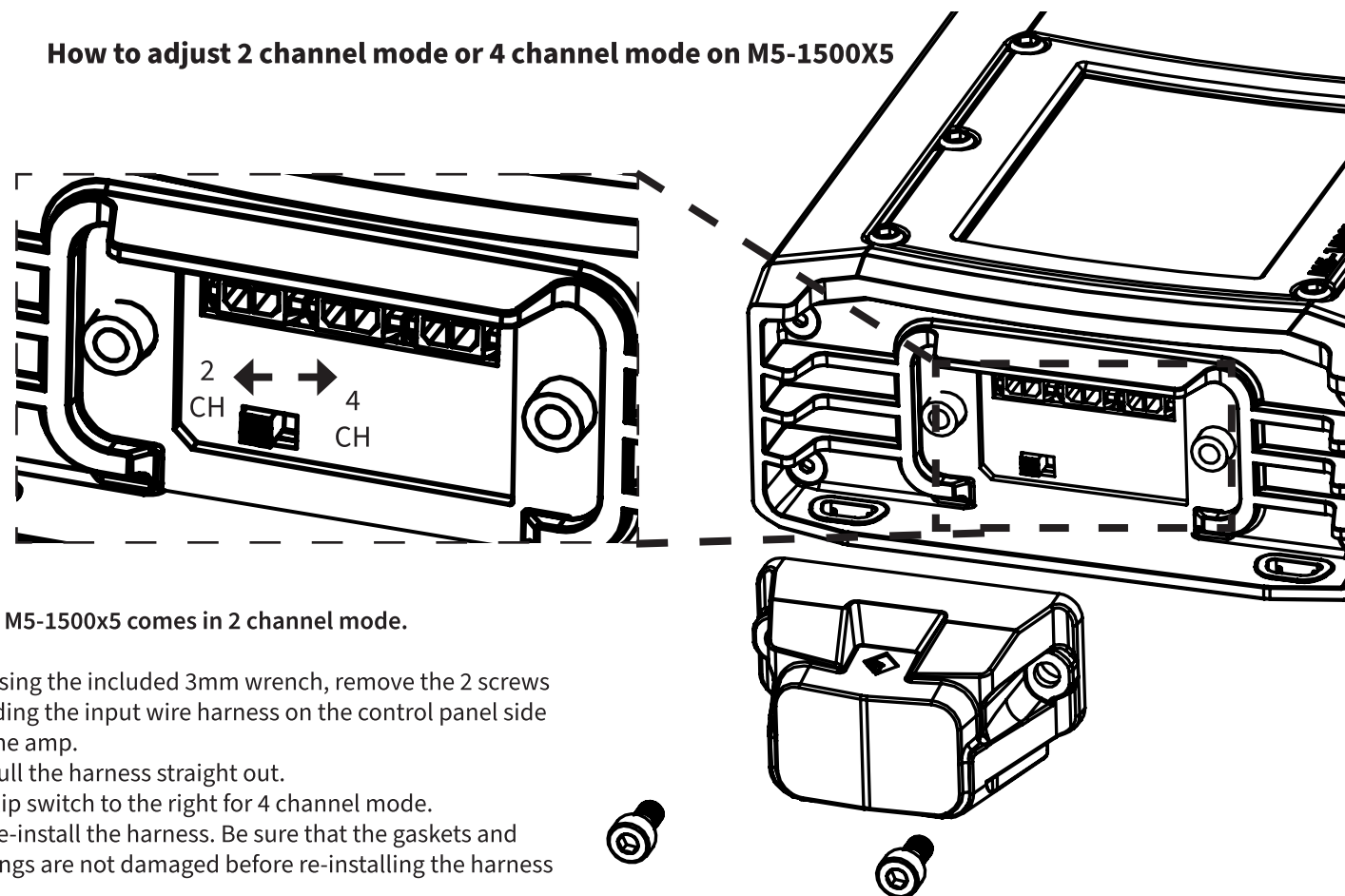
M5-1000X1

Sub Level - 3 O'Clock
 Punch EQ - MIN
 Sub X-Over Switch - 80Hz

M5-1500X5

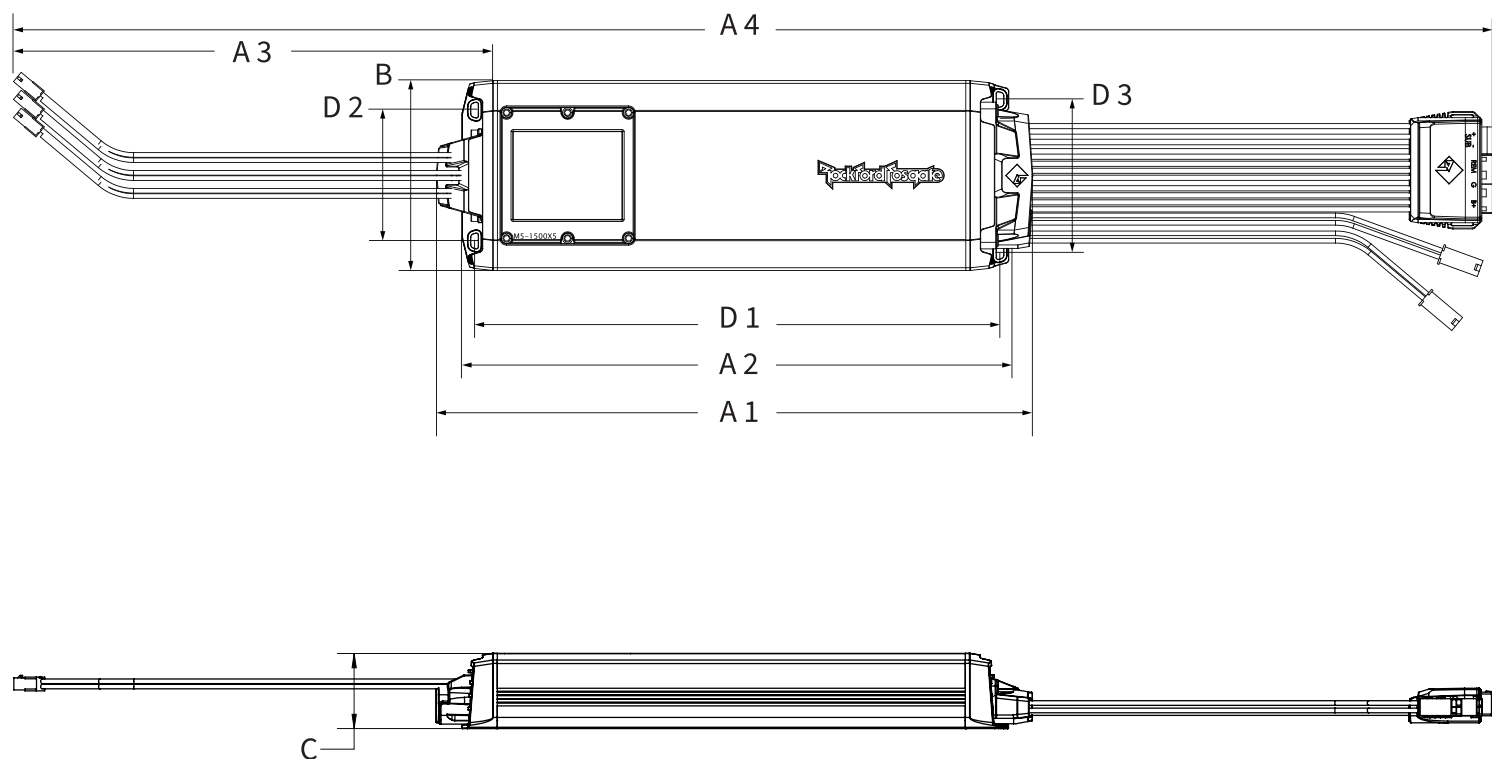
Rockford Fosgate Stage 5 SXS kit
 Front /Rear Level - 1 O'Clock
 Sub Level - 3 O'Clock
 Front/Rear/Sub Punch EQ - MIN
 Front/Rear/Sub Crossover - 80Hz
 Front/Rear X-over Switch - HP
 Sub Input - ON*
 Input Switch - 2CH*

How to adjust 2 channel mode or 4 channel mode on M5-1500X5



The M5-1500x5 comes in 2 channel mode.

1. Using the included 3mm wrench, remove the 2 screws holding the input wire harness on the control panel side of the amp.
2. Pull the harness straight out.
3. Flip switch to the right for 4 channel mode.
4. Re-install the harness. Be sure that the gaskets and O-rings are not damaged before re-installing the harness



| Model | M5-800X4 | M5-1000X1 | M5-1500X5 |
|--|--------------------|--------------------|--------------------|
| A1 - Overall Amplifier Length | 9.7" (245.9mm) | 9.7" (245.9mm) | 13.4" (339.7mm) |
| A2 - Chassis Length | 8.4" (213mm) | 8.4" (213mm) | 12.3" (311.4mm) |
| A3 - Harness Length (Input/Output are the same length) | 12" (304.8mm) | 12" (304.8mm) | 12" (304.8mm) |
| A4 - Total Length of Amplifier | 33.7" (855.5mm) | 33.7" (855.5mm) | 37.4" (949.3mm) |
| B - Chassis Width | 4.25" (108.1mm) | 4.25" (108.1mm) | 4.25" (108.1mm) |
| C - Chassis Height | 1.7" (42.7mm) | 1.7" (42.7mm) | 1.7" (42.7mm) |
| D1 - Mounting Length | 7.8" (198.7mm) | 7.8" (198.7mm) | 11.8" (299.2mm) |
| D2 - Mounting Width | 2.9" (74.5mm) | 2.9" (74.5mm) | 2.9" (74.5mm) |
| D3 - Mounting Width (Input side, M5-1500X5 ONLY) | N/A | N/A | 3.4" (86.5mm) |

Warranty Information

Rockford Corporation offers a limited warranty on Rockford Fosgate products on the following terms:

- Length of Warranty**
- POWER Amplifiers – 2 Years
- BMW® Direct Fit Speakers – 2 Years
- PRIME® Amplifiers – 1 Year
- PUNCH® & PRIME® Amplifiers – 1 Year
- Speakers, Signal Processors, Accessories and Capacitors – 1 Year
- All marine, motorcycle, motorsport products - 2 Years
- Any Factory Refurbished Product – 90 Days (receipt required)

What is Covered
This warranty applies only to Rockford Fosgate products sold to consumers by authorized Rockford Fosgate dealers in the United States of America. Products purchased by consumers from an Authorized Rockford Fosgate Dealer in another country are covered only by that country's Distributor and not by Rockford Corporation.

Who is Covered
This warranty covers only the original purchaser of Rockford product purchased from an authorized Rockford Fosgate dealer in the United States. In order to receive service, the purchaser must provide Rockford with a copy of the receipt stating the customer name, dealer name, product purchased and date of purchase.

Products found to be defective during the warranty period will be repaired or replaced (with a product deemed to be equivalent) at Rockford's discretion.

What is Not Covered
Damage caused by accident, abuse, improper installation, operations, theft, water (on non-Element Ready products).

Any cost or expense related to the removal or re-installation of product.

Service performed by anyone other than Rockford or an authorized Rockford Fosgate service center.

Any product which has had the serial number defaced, altered, or removed.

Subsequent damage to other components.

Any product purchased outside the U.S.

Any product not purchased from an authorized Rockford Fosgate dealer. Refer to rockfordfosgate.com dealer locator for more detail.

Limit on Implied Warranties

Any implied warranties including warranties of fitness for use and merchantability are limited in duration to the period of the express warranty set forth above. Some states do not allow limitations on the length of an implied warranty, so this limitation may not apply. No person is authorized to assume for Rockford Fosgate any other liability in connection with the sale of the product.

How to Obtain Service

Please call 1-800-669-9899 for Rockford Customer Service. You must obtain an RA# (Return Authorization number) to return any product to Rockford Fosgate. You are responsible for shipment of product to Rockford.

EU Warranty

This product meets the current EU warranty requirements, see your Authorized dealer for details.



**ELEMENT READY™
AMPLIFIERS**

**M5-800X4
M5-1000X1
M5-1500X5**

Specifications

| Model | CTA-2006 Dynamic Power* Rating | CTA-2006 Continuous Power Rating | THD @ Rated Power | Signal to Noise Ratio | Frequency Response | MIN/MAX Input Voltage | Low-pass Crossover Freq. | High-pass Crossover Freq. | Infra-sonic Freq. | Punch EQ | Signal Sense/DC Offset | Power Connections | Fuse Rating | Operating Voltage Range | Topology / Class | IP Rating | Warranty |
|------------------|--|---|-------------------|-----------------------|----------------------|-----------------------|---------------------------|---------------------------|------------------------|----------|------------------------|-------------------|-------------|-------------------------|-----------------------|--------------------|----------|
| M5-800X4 | 125W x 4 @ 40hm 200W x 4 @ 20hm 400W x 2 @ 40hm Bridged | 100W x4 @ 4-Ohm 100W x4 @ 2-Ohm 200W x 2 @ 4Ohm Bridged | <1.0% | >105dB | 10Hz - 50kHz +/- 1dB | 150mV -12Vrms | 50-250Hz @12dB Per Octave | 50-250Hz @12dB Per Octave | N/A | YES | YES | 8 AWG | 80A | 9-16VDC | ad | IPX6 (Water spray) | 2 YEAR |
| M5-1000X1 | 600W x 1 @ 40hm 900W x 1 @ 20hm 1000W x 1 @ 10hm | 500W x 1 @ 4-Ohm 750W x 1 @ 2-Ohm 750W x 1 @ 1-Ohm | <1.0% | >110dB | 30Hz-245Hz +/- 1dB | 150mV -12Vrms | 50-250Hz @12dB Per Octave | N/A | 30Hz @ 12dB Per Octave | YES | YES | 8 AWG | 70A | 9-16VDC | bd | IPX6 (Water spray) | 2 YEAR |
| M5-1500X5 | 125W x 4/ 400W x 1 @ 40hm 200W x 4/ 700W x 1 @ 20hm 700W x 1 @ 10hm (Sub Only) 400W x2 @ 4-Ohms Bridged | 100W x 4/ 400W x 1 @ 4-Ohm 100W x 4/ 600W x 1 @ 2-Ohm 600W x 1 @ 1-Ohm (Sub Only) | <1.0% | >105dB 4CH/ >85dB Sub | 10Hz - 50kHz +/- 1dB | 150mV -12Vrms | 50-250Hz @12dB Per Octave | 50-250Hz @12dB Per Octave | 30Hz @ 12dB Per Octave | YES | YES | 4 AWG | 80A | 9-16VDC | Front/Rear ad/ SUB bd | IPX6 (Water spray) | 2 YEAR |

*Dynamic Power indicates actual, usable power delivered by the amplifier to the speakers when listening to music. Dynamic power ratings are based on CTA-2006 industry standards. Dynamic power has been provided to indicate the actual RMS power output performance of the amplifier in the real world.

What is the IPX6 testing method? It is the rating given after passing the testing method to show that this product will withstand water ingress of the given test. Here is the breakdown of everything needed for testing of the IPX6 rating.
A 0.5” (12.5mm) nozzle with 15 psi (100 kPa) outputting 100 liters per min of water from a distance of 9.8’ (3 meters) from all directions for at least 3 minutes.



CTA 2006
Amplifier Power Standard

Power ratings on Rockford Fosgate amplifiers conform to CTA-2006 industry standards. These guidelines mean your amplifier's output power ratings are REAL POWER numbers, not inflated marketing ratings.