

Installation assistance available at:

RFTECH

www.rockfordfosgate.com/rftech

YAMAHA® YXZ®DASH KIT FOR
PMX COMPACT DIGITAL
MEDIA RECEIVERS

RFYXZ-PMXDK

600 South Rockford Drive • Tempe, Arizona 85281 United States
Direct: (480) 967-3565 • Toll Free: (800) 669-9899

ROCKFORD FOSGATE . COM



Serial Number: _____

Date of Purchase: _____



Installation & Operation

Introduction

Dear Customer,

Congratulations on your purchase of the world's finest brand of audio products. At Rockford Fosgate we are fanatics about musical reproduction at its best, and we are pleased you chose our product. Through years of engineering expertise, hand craftsmanship and critical testing procedures, we have created a wide range of products that reproduce music with all the clarity and richness you deserve.

For maximum performance we recommend you have your new Rockford Fosgate product installed by an Authorized Rockford Fosgate Dealer, as we provide specialized training through Rockford Technical Training Institute (RTTI). Please read your warranty and retain your receipt and original carton for possible future use.

Great product and competent installations are only a piece of the puzzle when it comes to your system. Make sure that your installer is using 100% authentic installation accessories from Rockford Fosgate in your installation. Rockford Fosgate has everything from RCA cables and speaker wire to power wire and battery connectors. Insist on it! After all, your new system deserves nothing but the best.

To add the finishing touch to your new Rockford Fosgate image order your Rockford accessories, which include everything from T-shirts to hats.

Visit our web site for the latest information on all Rockford products;

www.rockfordfosgate.com

or, in the U.S. call 1-800-669-9899 or FAX 1-800-398-3985. For all other countries, call +001-480-967-3565 or FAX +001-480-966-3983.

Table of Contents

2	Introduction
3	Specifications
4	Mounting
5-11	Installation
12	Warranty

If, after reading your manual, you still have questions regarding this product, we recommend that you see your Rockford Fosgate dealer. If you need further assistance, you can call us direct at 1-800-669-9899. Be sure to have your serial number, model number and date of purchase available when you call.

PRACTICE SAFE SOUND

Continuous exposure to sound pressure levels over 100dB may cause permanent hearing loss. High powered auto sound systems may produce sound pressure levels well over 130dB. Use common sense and practice safe sound.

Safety

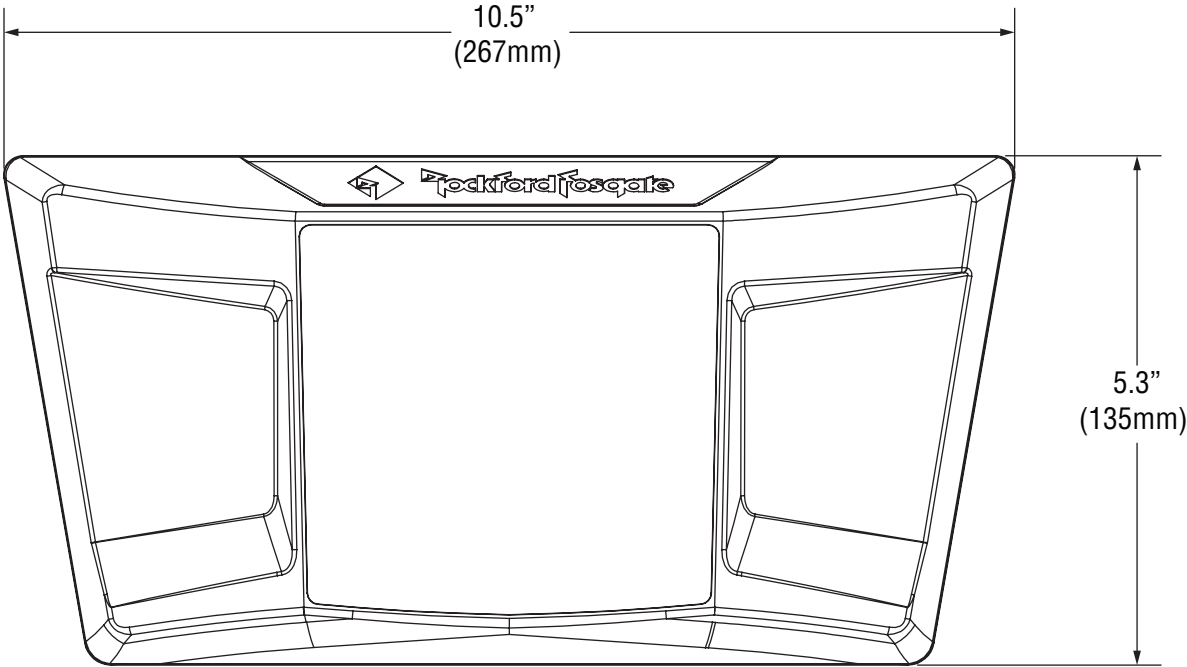
This symbol with "WARNING" is intended to alert the user to the presence of important instructions. Failure to heed the instructions will result in severe injury or death.



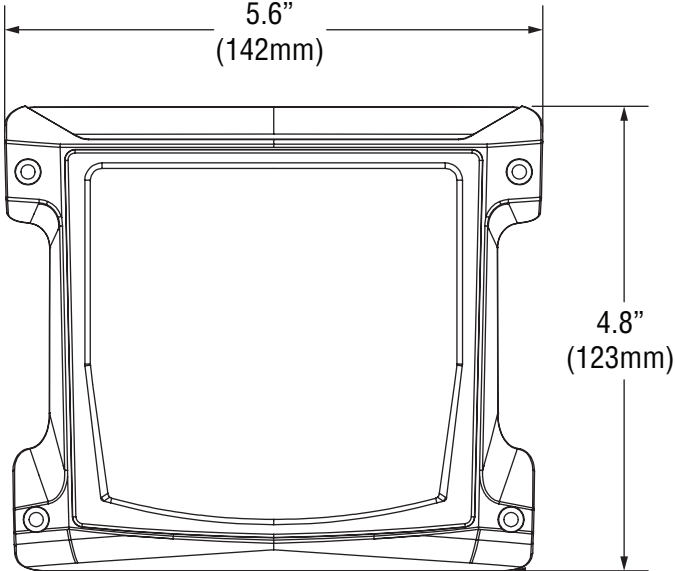
This symbol with "CAUTION" is intended to alert the user to the presence of important instructions. Failure to heed the instructions can result in injury or unit damage.



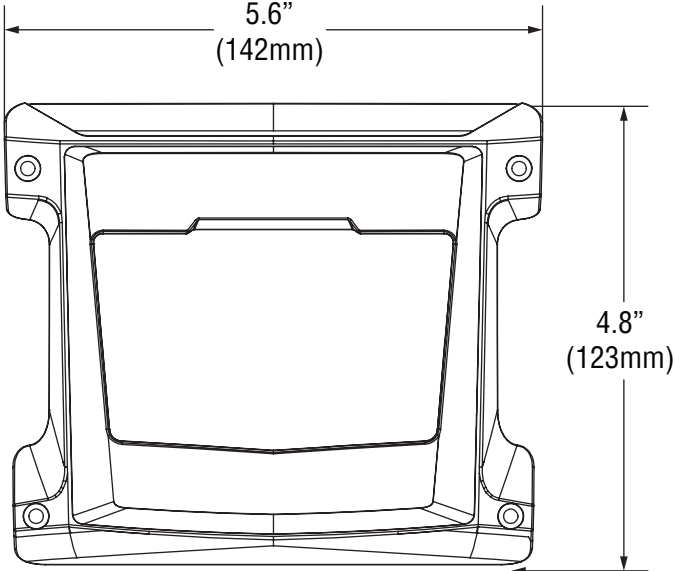
- To prevent injury and damage to the unit, please read and follow the instructions in this manual. We want you to enjoy this system, not get a headache.
- If you feel unsure about installing this system yourself, have it installed by a qualified Rockford Fosgate technician.
- Before installation, disconnect the battery negative (-) terminal to prevent damage to the unit, fire and/or possible injury.



Main Dash Bezel



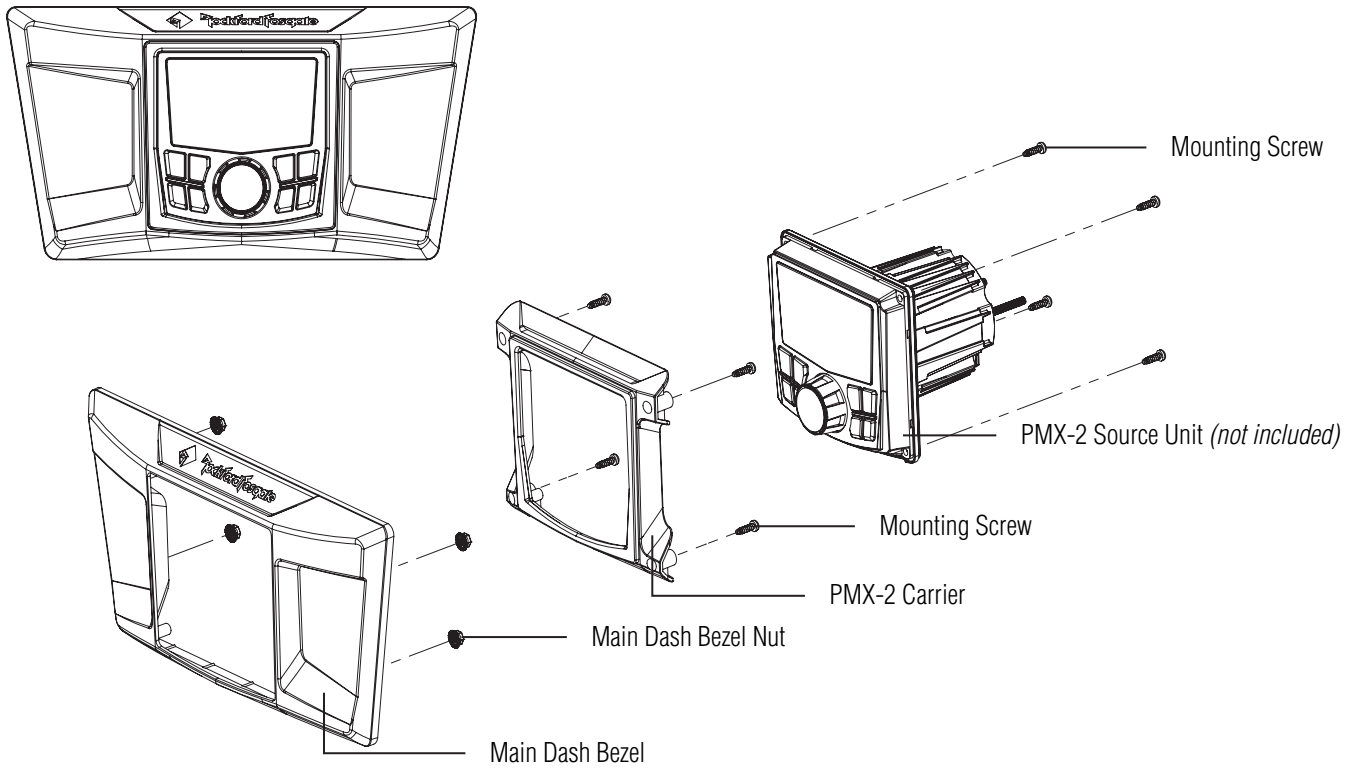
PMX-2 Carrier



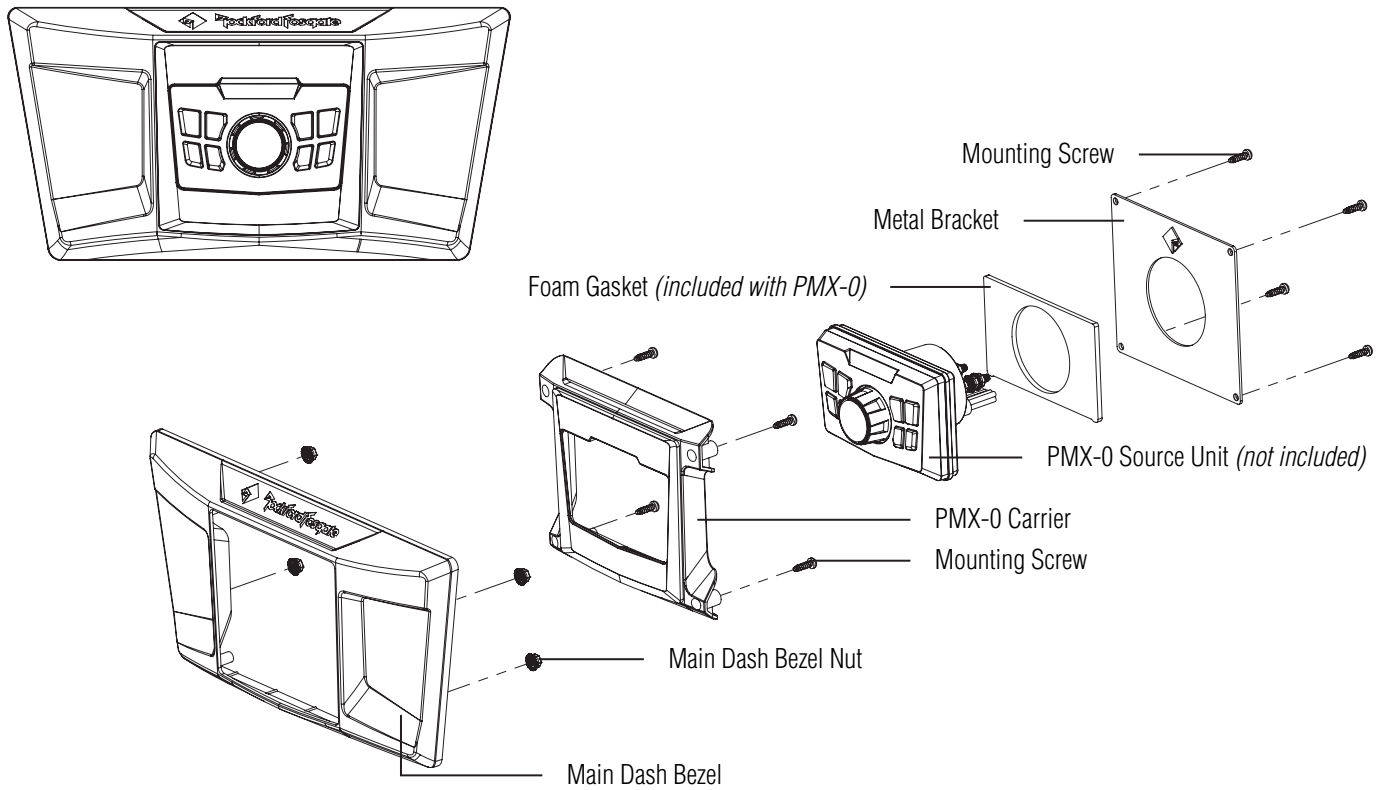
PMX-0 Carrier

Mounting

PMX-2 Mounting Option



PMX-0 Mounting Option



Contents

- Main Dash Bezel
- PMX-2 Carrier
- PMX-0 Carrier
- PMX-2 Vehicle Harness
- PMX-0 Vehicle Harness
- PMX-0 Power Harness
- (4) Butt Connectors
- (8) Carrier Mounting Screws
- (4) Main Dash Bezel Nuts
- Drill Guide
- Center Pocket Grommet
- Installaton Guide

Installation Tools

The following is a list of suggested tools needed for installation:

- 7mm Socket
- 10mm Socket
- Ratchet and Extensions
- 10mm Box Wrench
- Flat Blade Screwdriver
- Panel Tool
- 3mm Allen Wrench
- 4mm Allen Wrench
- Drill
- 3/16" Drill Bit
- 2" Hole Saw
- Wire Crimper
- Wire Stripper

Installation Considerations

This section focuses on some considerations for installing your Yamaha YXZ dash kit. This manual will illustrate the installation process with a 2016 Yamaha YXZ1000R with a RFYZ-PMXDK dash kit.

If you feel unsure about installing this system yourself, have it installed by a qualified technician.

⚠ WARNING When drilling holes, make sure what is on the other side. Be sure that any electrical, fuel lines or any other important components are free and clear from the area.

⚠ CAUTION Before installation, disconnect the battery negative (-) terminal to prevent damage to the unit, fire and/or possible injury.

⚠ CAUTION Before beginning any installation, follow these simple rules:

- Be sure to carefully read and understand the instructions before attempting to install this source unit dash kit.
- Consult your UTV's service manual for model specific information. Models may differ from year to year depending on factory options and aftermarket accessories added.
- These dash kits are specifically designed to work with Rockford Fosgate's PMX series compact digital media receivers.
- With the addition of an amplifier or source unit, be sure that your current charging system is in proper working order.
- Visit rockfordfosgate.com for more comprehensive product information.
- Visit our **YouTube** channel for comprehensive installation videos.

Installation Videos



2016 & Up YXZ1000R/YXZ1000R SS w/ PMX-2



Step 1 - Remove Hood

Using a 4mm allen wrench, loosen the screws holding the hood in place and remove the hood from the vehicle.



Step 2 - Drill Access Hole in Center Pocket

Once the hood is removed, you will need to drill a 2" access hole inside the center pocket of the vehicle. This can be accomplished by using a regular drill and hole saw from the inside of the vehicle drilling toward the front of the YXZ (as shown).



NOTE: If you happen to have a right angle drill, you can drill from under the hood toward the interior of the vehicle.

Installation



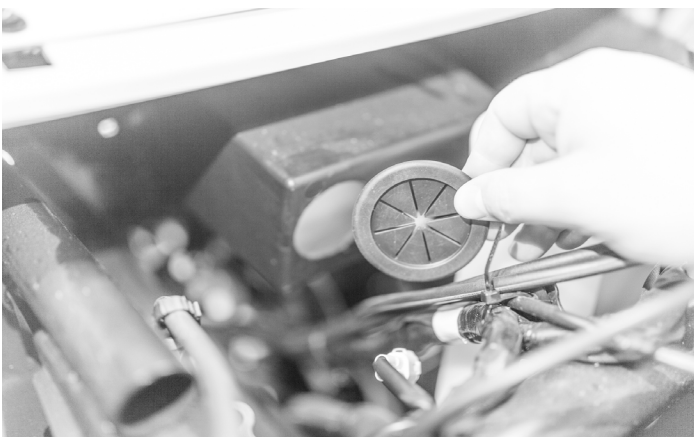
Step 3 - Use Drill Guide

Next, take the drill guide template and overlay it on top of the center pocket. Mark the (4) hole locations that will need to be drilled for the main dash bezel.



Step 4 - Drill Main Dash Bezel Mounting Holes

Once the holes are clearly marked, drill the (4) holes using a 3/16" bit.



Step 5 - Insert Grommet Into Pocket Access Hole

Now insert the supplied rubber grommet onto the center pocket from underneath the hood.



Step 6 - Insert Vehicle Harness

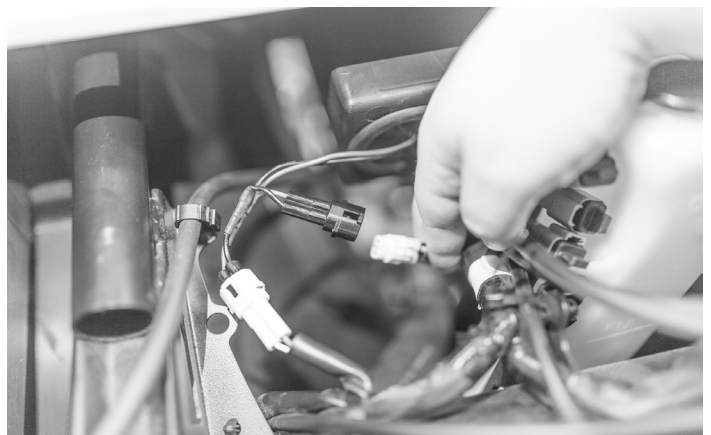
Using the supplied PMX-2 vehicle harness, insert the 12-pin plug end through the grommet. This end plugs into the PMX-2 source unit.



Step 7 - Locate Cigarette Lighter Power Connector

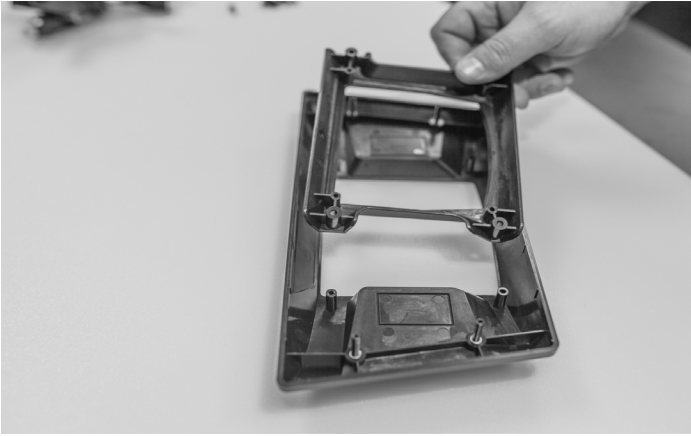
Locate the cigarette lighter power connector wire under the hood and unplug the harness. This will be your power and ground source for the PMX-2 vehicle harness.

NOTE: Refer to your vehicle's owner's guide for exact location.



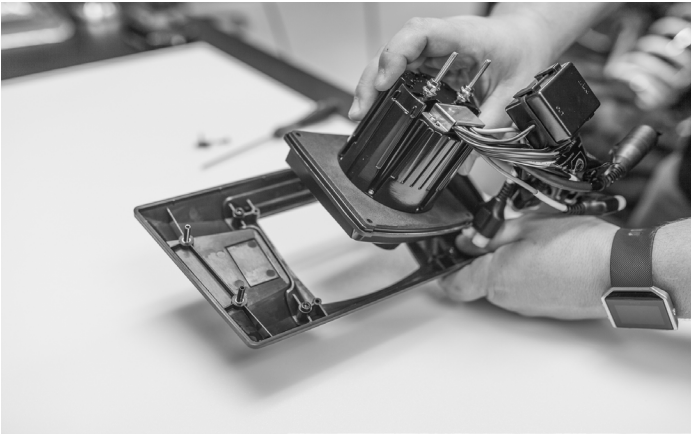
Step 8 - Connect Harness to Cigarette Lighter Power Connector

Simply plug in the PMX-2 harness into the plugs.



Step 9 - Mount Carrier to Main Dash Bezel

Take the PMX-2 carrier and mount it to the main dash bezel. Use the supplied screws to attach the carrier to the bezel. The screws are a 3mm allen socket.



Step 10 - Mount PMX-2 to Carrier

Insert the PMX-2 face into the backside of the carrier.

NOTE: Do NOT install the PMX-2 trim bezel that comes with the source unit. If it is, the PMX-2 will not mount correctly into the carrier.



Step 11 - Secure Source Unit to Main Dash Bezel

Secure the source unit with the supplied screws with a 3mm allen driver.



Step 12 - Plug PMX-2 Into Vehicle Harness

Take the PMX-2 bezel assembly and plug it into the harness in the center pocket.



Step 13 - Place Main Dash Bezel Assembly

Place the bezel and radio assembly over the center pocket. Insert the studs into the (4) holes that were previously drilled.



Step 14 - Secure Bezel

Secure the bezel from the hood side with supplied nuts using a 7mm socket or nut driver.

The unit is now powered and ready for additional speaker connections. This wire harness is designed to work specifically with Rockford Fosgate Yamaha YXZ wire harnesses.

Installation

2016 & Up YXZ1000R/YXZ1000R SS w/ PMX-0



Step 1 - Remove Hood

Using a 4mm allen wrench, loosen the hood bolts and remove the hood from the vehicle.



Step 2 - Drill Access Hole in Center Pocket

Once the hood is removed, you will need to drill a 2" access hole inside the center pocket of the vehicle. This can be accomplished by using a regular drill and hole saw from the inside of the vehicle drilling toward the front of the YXZ (as shown).



NOTE: If you happen to have a right angle drill, you can drill from under the hood toward the interior of the vehicle.



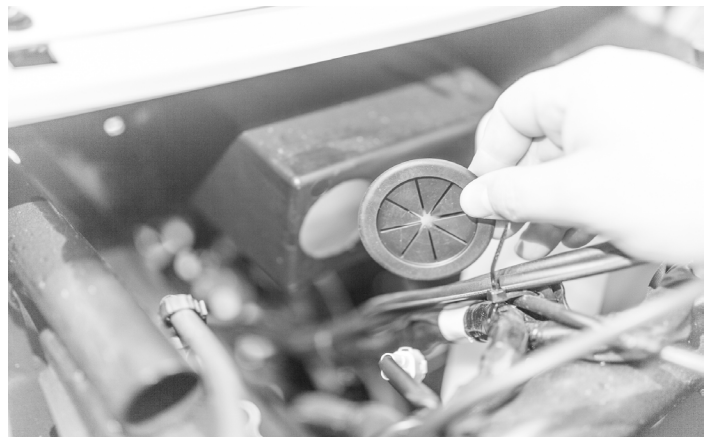
Step 3 - Use Drill Guide

Next, take the drill guide template overlay it on top of the center pocket. You will need to mark the (4) hole locations that will need to be drilled for the main dash bezel.



Step 4 - Drill Main Dash Bezel Mounting Holes

Once the holes are clearly marked, drill the (4) holes using a 3/16" bit.



Step 5 - Insert Grommet Into Pocket Access Hole

Now insert the supplied rubber grommet onto the center pocket from underneath the hood.



Step 6 - Insert Vehicle Harness

Using the supplied PMX-0 vehicle harness, insert the 4-pin plug end through the grommet. This end plugs into the PMX-0 source unit.



Step 7 - Locate Cigarette Lighter Power Connector

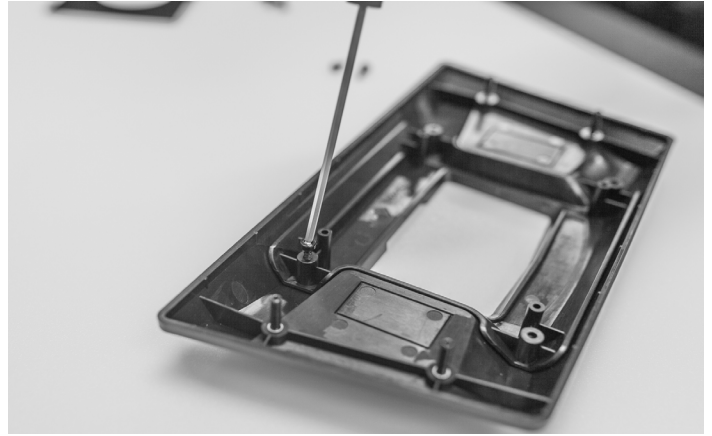
Locate the cigarette lighter power connector wire under the hood and unplug the harness. This will be your accessory power source and ground for the PMX-0 vehicle harness.

NOTE: Refer to your vehicle's owner's guide for exact location.



Step 8 - Connect Harness to Cigarette Lighter Power Connector

Simply plug in the PMX-0 harness into the plugs.



Step 9 - Mount Carrier to Main Dash Bezel

Take the PMX-0 carrier and mount it to the main dash bezel. Use the supplied screws to attach the carrier to the bezel. The screws are a 3mm allen socket.



Step 10 - Apply Foam Gasket

Apply the supplied foam gasket that came with the PMX-0 to the back of the unit.



Step 11 - Mount PMX-0 to Carrier

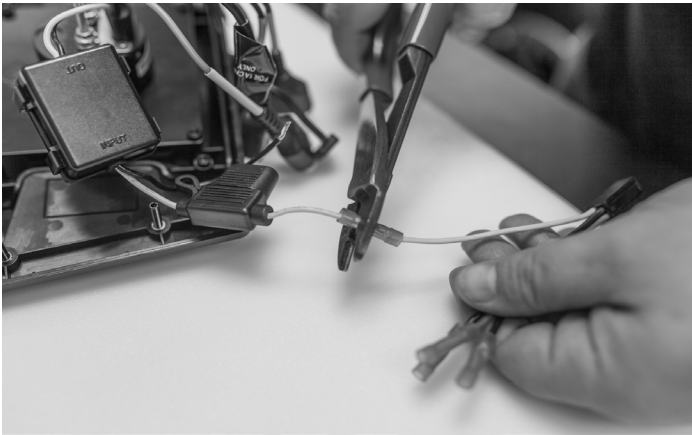
Place the PMX-0 into the carrier and place the supplied metal bracket over the PMX-0 with the Rockford logo facing outward as shown above.

Installation



Step 12 - Secure Source Unit to Main Dash Bezel

Use the supplied screws with a 3mm allen driver.



Step 13 - Connect PMX-0 Power Harness

Using the supplied butt connectors, connect the supplied PMX-0 power harness to the source unit with a pair of wire crimpers.



Step 14 - Plug PMX-0 Into Vehicle Harness

Take the PMX-0 bezel assembly and plug it into the harness in the center pocket.

NOTE: Be sure to make any RCA cable connections for amplifiers to the PMX-0 at this time.



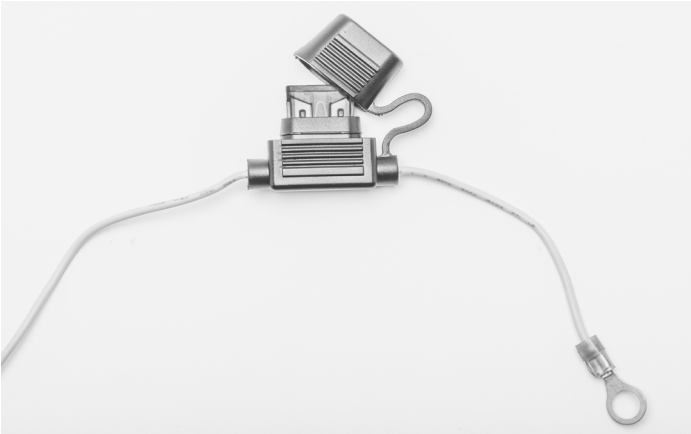
Step 15 - Place Main Dash Bezel Assembly

Place the bezel and radio assembly over the center pocket. Insert the studs into the (4) holes that were previously drilled.



Step 14 - Secure Bezel

Secure the bezel from the hood side with supplied nuts using a 7mm socket or nut driver.



Step 15 - Battery Connection

The last wire connection that needs to be run is the Yellow power wire to the battery. The easiest way to run this wire is to remove the center console and passenger transmission tunnel panel. To do this, the passenger seat will need to be removed first, then the center console. The panel that surrounds the shifter needs to have one plastic rivet removed to make it easier to remove the transmission tunnel.

Once connected, the unit is now powered and ready for amplifier connections. Refer to the PMX-0 manual for wiring schematics.

Warranty

Rockford Corporation offers a limited warranty on Rockford Fosgate products on the following terms:

Length of Warranty

POWER Amplifiers – 2 Years
BMW® Direct Fit Speakers – 2 Years
PUNCH® & PRIME® Amplifiers – 1 Year
Speakers, Signal Processors, Accessories and Capacitors – 1 Year
All marine, motorcycle, motorsport products - 2 Years
Any Factory Refurbished Product – 90 Days (receipt required)

What is Covered

This warranty applies only to Rockford Fosgate products sold to consumers by authorized Rockford Fosgate dealers in the United States of America. Products purchased by consumers from an Authorized Rockford Fosgate Dealer in another country are covered only by that country's Distributor and not by Rockford Corporation.

Who is Covered

This warranty covers only the original purchaser of Rockford product purchased from an authorized Rockford Fosgate dealer in the United States. In order to receive service, the purchaser must provide Rockford with a copy of the receipt stating the customer name, dealer name, product purchased and date of purchase.

Products found to be defective during the warranty period will be repaired or replaced (with a product deemed to be equivalent) at Rockford's discretion.

What is Not Covered

1. Damage caused by accident, abuse, improper installation, operations, theft, water (on non-Element Ready products).
2. Any cost or expense related to the removal or reinstallation of product.
3. Service performed by anyone other than Rockford or an authorized Rockford Fosgate service center.
4. Any product which has had the serial number defaced, altered, or removed.
5. Subsequent damage to other components.
6. Any product purchased outside the U.S.
7. Any product not purchased from an authorized Rockford Fosgate dealer. Refer to rockfordfosgate.com dealer locator for more detail.

Limit on Implied Warranties

Any implied warranties including warranties of fitness for use and merchantability are limited in duration to the period of the express warranty set forth above. Some states do not allow limitations on the length of an implied warranty, so this limitation may not apply. No person is authorized to assume for Rockford Fosgate any other liability in connection with the sale of the product.

How to Obtain Service

Please call 1-800-669-9899 for Rockford Customer Service. You must obtain an RA# (Return Authorization number) to return any product to Rockford Fosgate. You are responsible for shipment of product to Rockford.

EU Warranty

This product meets the current EU warranty requirements, see your Authorized dealer for details.