

Installation assistance available at:

# RFTECH

[www.rockfordfosgate.com/rftech](http://www.rockfordfosgate.com/rftech)

YAMAHA® YXZ®  
AMPLIFIER  
INSTALLATION KIT

**RFYXZ-K8**



Serial Number: \_\_\_\_\_ Date of Purchase: \_\_\_\_\_

## Introduction

*Dear Customer,*

*Congratulations on your purchase of the world's finest brand of audio products. At Rockford Fosgate we are fanatics about musical reproduction at its best, and we are pleased you chose our product. Through years of engineering expertise, hand craftsmanship and critical testing procedures, we have created a wide range of products that reproduce music with all the clarity and richness you deserve.*

*For maximum performance we recommend you have your new Rockford Fosgate product installed by an Authorized Rockford Fosgate Dealer, as we provide specialized training through Rockford Technical Training Institute (RTTI). Please read your warranty and retain your receipt and original carton for possible future use.*

*Great product and competent installations are only a piece of the puzzle when it comes to your system. Make sure that your installer is using 100% authentic installation accessories from Rockford Fosgate in your installation. Rockford Fosgate has everything from RCA cables and speaker wire to power wire and battery connectors. Insist on it! After all, your new system deserves nothing but the best.*

*To add the finishing touch to your new Rockford Fosgate image order your Rockford accessories, which include everything from T-shirts to hats.*

*Visit our web site for the latest information on all Rockford products;*

**[www.rockfordfosgate.com](http://www.rockfordfosgate.com)**

or, in the U.S. call 1-800-669-9899 or FAX 1-800-398-3985. For all other countries, call +001-480-967-3565 or FAX +001-480-966-3983.

### Table of Contents

2	Introduction
3	Amplifier Bracket Assembly
4	Wiring Schematic
5-9	Installation
12	Warranty

If, after reading your manual, you still have questions regarding this product, we recommend that you see your Rockford Fosgate dealer. If you need further assistance, you can call us direct at **1-800-669-9899**. Be sure to have your serial number, model number and date of purchase available when you call.

### **PRACTICE SAFE SOUND**

Continuous exposure to sound pressure levels over 100dB may cause permanent hearing loss. High powered auto sound systems may produce sound pressure levels well over 130dB. Use common sense and practice safe sound.

### Safety

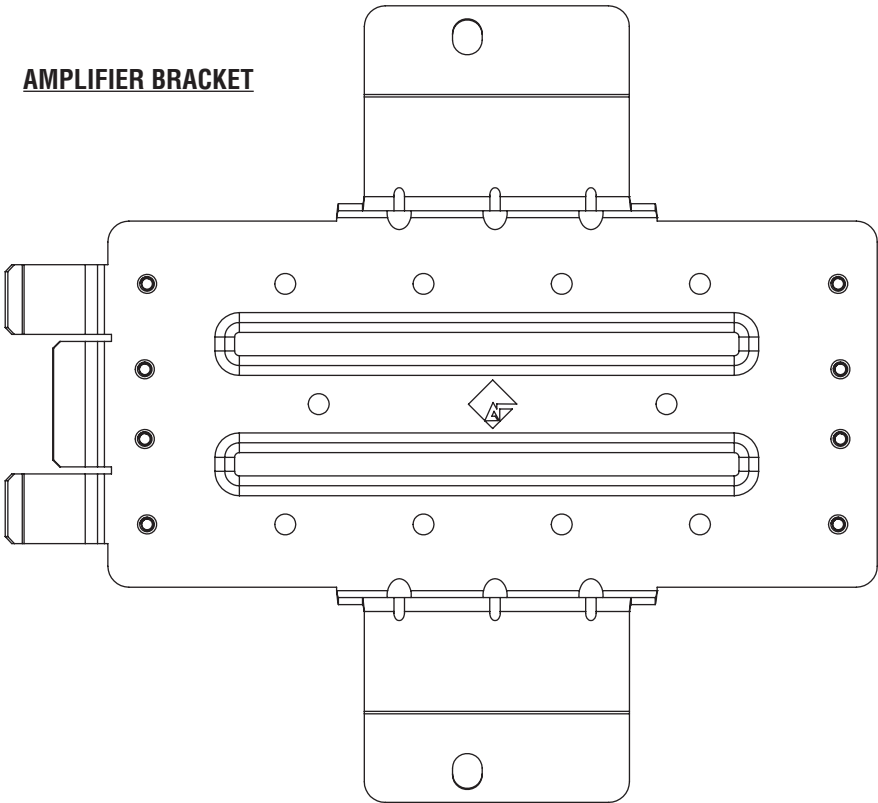
This symbol with "WARNING" is intended to alert the user to the presence of important instructions. Failure to heed the instructions will result in severe injury or death.



This symbol with "CAUTION" is intended to alert the user to the presence of important instructions. Failure to heed the instructions can result in injury or unit damage.

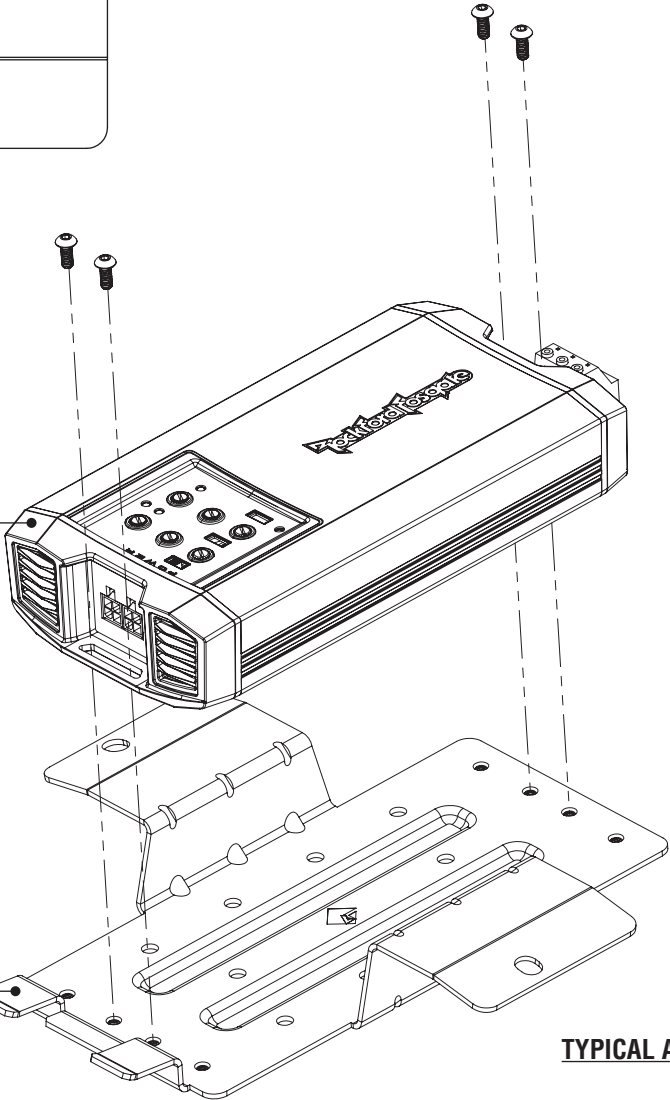


- To prevent injury and damage to the unit, please read and follow the instructions in this manual. We want you to enjoy this system, not get a headache.
- If you feel unsure about installing this system yourself, have it installed by a qualified Rockford Fosgate technician.
- Before installation, disconnect the battery negative (-) terminal to prevent damage to the unit, fire and/or possible injury.



Amplifier  
(Not Included)

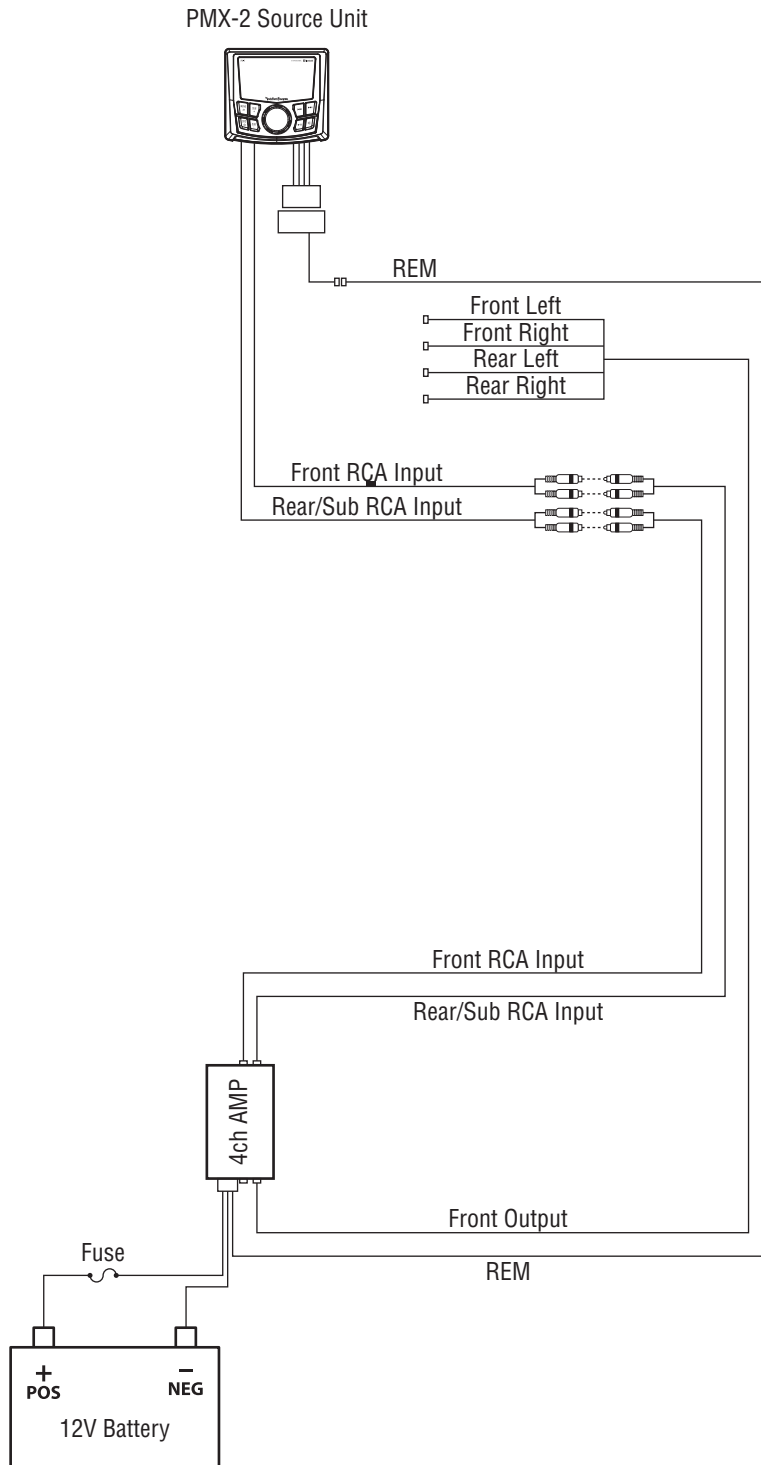
Amplifier Mounting Bracket



TYPICAL ASSEMBLY

# Wire Harness Schematic

---



## Contents

- Amplifier Mounting Bracket
- Wire Harness
- Plastic Wire Tie Wraps
- Mounting Hardware

## Installation Tools

The following is a list of suggested tools needed for installation:

- Small Flat Blade Screwdriver
- Ratchet
- 10mm Socket
- Allen Wrench
- Wire Cutters

## Installation Considerations

This section focuses on some considerations for installing your Yamaha YXZ amplifier installation kit. This manual will illustrate the installation process with a 2017 Yamaha YXZ1000R SS with a RFYXZ-K8 dash kit.

If you feel unsure about installing this system yourself, have it installed by a qualified technician.

### **WARNING**

When drilling holes, make sure what is on the other side. Be sure that any electrical, fuel lines or any other important components are free and clear from the area.

### **CAUTION**

Before installation, disconnect the battery negative (-) terminal to prevent damage to the unit, fire and/or possible injury.

### **CAUTION**

Before beginning any installation, follow these simple rules:

- Be sure to carefully read and understand the instructions before attempting to install this amplifier wiring kit.
- Consult your UTV's service manual for model specific information. Models may differ from year to year depending on factory options and aftermarket accessories added.
- This kit are specifically designed to work with Rockford Fosgate's PMX series compact digital media receivers and speaker enclosures.
- With the addition of an amplifier or source unit, be sure that your current charging system is in proper working order.
- Visit [rockfordfosgate.com](http://rockfordfosgate.com) for more comprehensive product information.
- Visit our **YouTube** channel for comprehensive installation videos.

Installation Videos



## Applicable Models:

### 2016 & Up YXZ1000R/YXZ1000R SS w/ PMX-2

This amplifier installation kit is designed to work with Rockford Fosgate's TM400X4ad compact chassis amplifier, RFYXZ-PMXDK Dash Kit, RFYXZ-FSE and RFYXZ-FSEU Front Speaker Enclosures, RFYXZ-FWE Subwoofer Enclosure and RFYXZ-RSW16 Rear Speaker Wire Harness.

NOTE: Some additional interior pieces were removed to make photography easier for documenting the installation process.



### Step 1 - Remove Hood

Using a 4mm allen wrench, loosen the screws holding the hood in place and remove the hood from the vehicle.



### Step 2 - Remove Passenger Seat

Lift up on the front of the seat to expose the seat mounting bolts.

## Installation



There are (4) mounting bolts holding the seat frame in place. Remove these bolts using a 12mm socket and ratchet. Then, lift the seat assembly out.

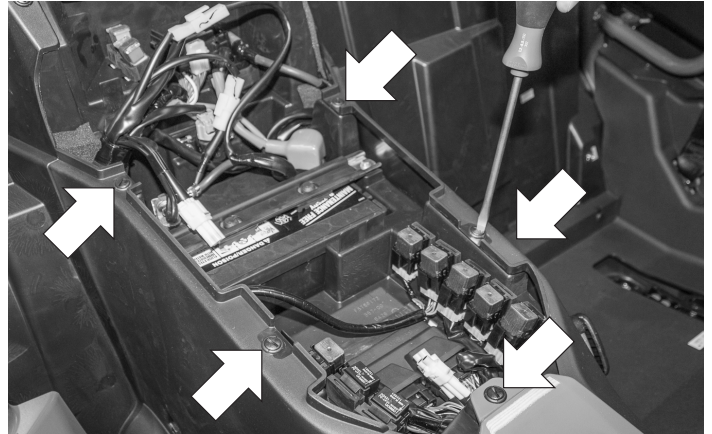


### Step 3 - Center Console Removal

Using your hand, pull up on the backside of the center console to release it.



**NOTE:** When removing, be sure to make sure the rubber grommets are in good condition and inserted correctly. If they are not installed properly, the center console will not engage the correct way or attach securely.



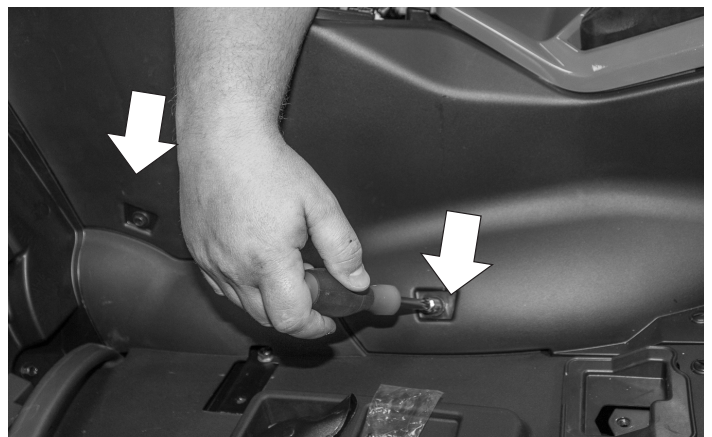
### Step 4 - Remove Passenger Side Panel

After the center console is out of the way, remove these (5) plastic rivets with a flat blade screwdriver.

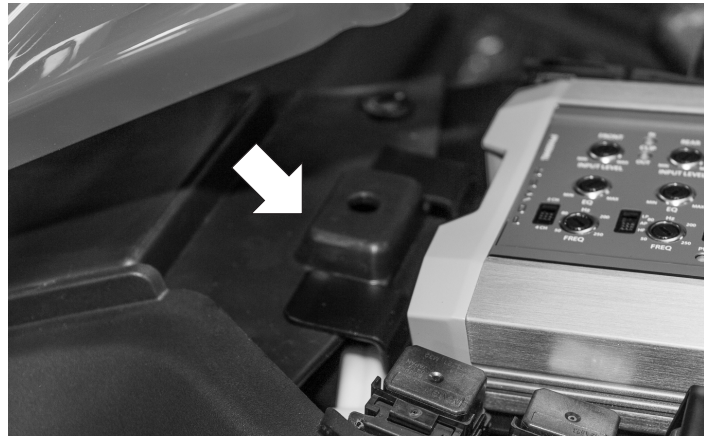
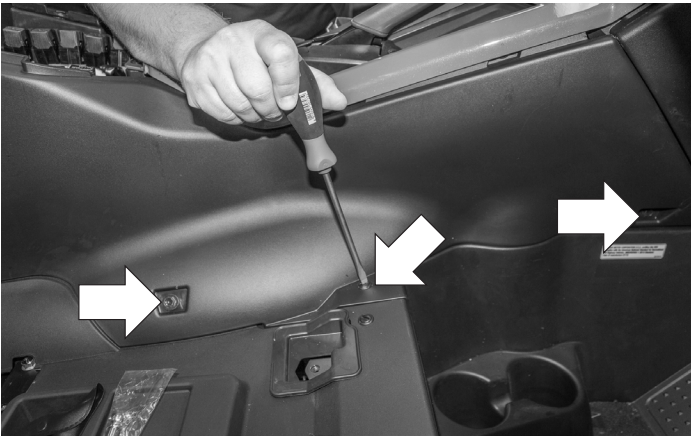
**Note:** Removing the plastic rivet on driver's side is for securing the amplifier bracket in the future.



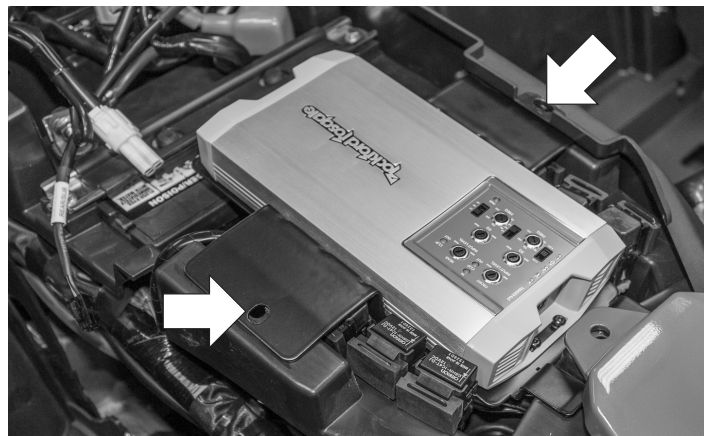
Once the plastic rivets are removed, lift up on the shifter surround plastic to expose (2) more rivets needed for the removal of the plastic side panel.



The passenger side transmission tunnel plastic panel has (3) bolts and (5) plastic rivets securing it to the chassis.



NOTE: The tongue has (2) tabs that go above the plastic panel and (1) below.



## Step 5 - Amplifier Mounting Bracket

Using the supplied screws, attach the amplifier to the bracket. Mount the amplifier with the input connections closest to the tongue end of the bracket.

NOTE: Turn all gain and EQ settings all of the way down. Adjust the crossovers to Front HP 80 Hz and Rear LP 80 Hz.

There are (2) holes that the bracket needs to align with.

NOTE: On the driver's side, the panel will need to be pulled up to get the bracket inserted under its edge.



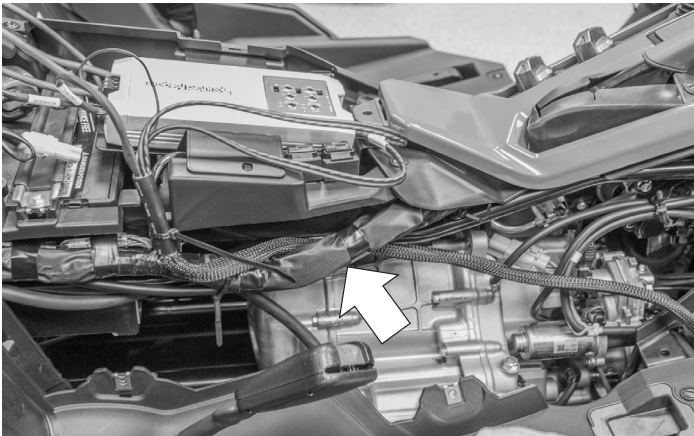
Insert the tongue end of the bracket first to capture the bracket on the plastic support panel below the shifter.

## Step 6 - Wire Harness

Take the supplied wire harness and begin plugging into the amplifier. This will consist of the inputs from the source unit, the speaker and subwoofer outputs and the power connector that contains the power, ground and remote.

NOTE: DO NOT connect the power and ground to the battery yet. This step will get done at the end of the installation process.

## Installation



Once all connections are made at the amplifier, begin to route the harness down the passenger side of the vehicle following the main vehicle harness. Tuck the audio harness under main vehicle harness to avoid the panel bulging.



Secure the main audio harness the shifter support with the supplied zip ties.



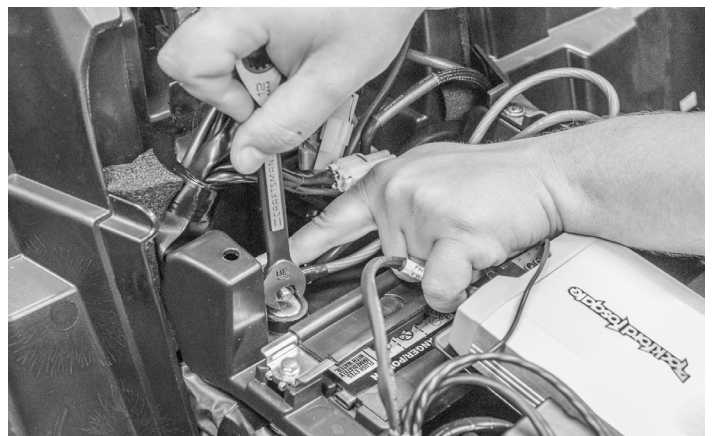
Pass the wire harness through the transmission tunnel leaving the harness under hood.



Plug the RCA's from the main harness into the back of the PMX-2 and slide radio into the center console. Secure dash kit to the center pocket once everything is connected.



Connect the remote turn on wire to the PMX-2 harness under the hood, along with any other speaker connections.



Connect the power and ground wires to the battery.

NOTE: Be sure to test the system before reassembling the vehicle.





Once the system checks out, set the gains using the Clip Indicator lights on the amplifier.

NOTE: Refer to the amplifier's installation manual or Yamaha YXZ installation video for setup.

Reassemble the vehicle once all wiring is secure and the system is working properly.





# Warranty

---

***Rockford Corporation offers a limited warranty on Rockford Fosgate products on the following terms:***

## **Length of Warranty**

POWER Amplifiers – 2 Years  
BMW® Direct Fit Speakers – 2 Years  
PUNCH® & PRIME® Amplifiers – 1 Year  
Speakers, Signal Processors, Accessories and Capacitors – 1 Year  
All marine, motorcycle, motorsport products - 2 Years  
Any Factory Refurbished Product – 90 Days (receipt required)

## **What is Covered**

This warranty applies only to Rockford Fosgate products sold to consumers by authorized Rockford Fosgate dealers in the United States of America. Products purchased by consumers from an Authorized Rockford Fosgate Dealer in another country are covered only by that country's Distributor and not by Rockford Corporation.

## **Who is Covered**

This warranty covers only the original purchaser of Rockford product purchased from an authorized Rockford Fosgate dealer in the United States. In order to receive service, the purchaser must provide Rockford with a copy of the receipt stating the customer name, dealer name, product purchased and date of purchase.

Products found to be defective during the warranty period will be repaired or replaced (with a product deemed to be equivalent) at Rockford's discretion.

## **What is Not Covered**

1. Damage caused by accident, abuse, improper installation, operations, theft, water (on non-Element Ready products).
2. Any cost or expense related to the removal or reinstallation of product.
3. Service performed by anyone other than Rockford or an authorized Rockford Fosgate service center.
4. Any product which has had the serial number defaced, altered, or removed.
5. Subsequent damage to other components.
6. Any product purchased outside the U.S.
7. Any product not purchased from an authorized Rockford Fosgate dealer. Refer to [rockfordfosgate.com](http://rockfordfosgate.com) dealer locator for more detail.

## **Limit on Implied Warranties**

Any implied warranties including warranties of fitness for use and merchantability are limited in duration to the period of the express warranty set forth above. Some states do not allow limitations on the length of an implied warranty, so this limitation may not apply. No person is authorized to assume for Rockford Fosgate any other liability in connection with the sale of the product.

## **How to Obtain Service**

Please call 1-800-669-9899 for Rockford Customer Service. You must obtain an RA# (Return Authorization number) to return any product to Rockford Fosgate. You are responsible for shipment of product to Rockford.

## **EU Warranty**

This product meets the current EU warranty requirements, see your Authorized dealer for details.