

Installation assistance available at:

# RFTTECH

[www.rockfordfosgate.com/rfttech](http://www.rockfordfosgate.com/rfttech)

RZR® DASH KIT FOR  
PMX COMPACT DIGITAL  
MEDIA RECEIVERS

**RFRZ-PMX0DK**  
**RFRZ-PMX2DK**



Serial Number: \_\_\_\_\_ Date of Purchase: \_\_\_\_\_



600 South Rockford Drive • Tempe, Arizona 85281 United States  
Direct: (480) 967-3565 • Toll Free: (800) 669-9899

**ROCKFORDFOSGATE.COM**



# Introduction

Dear Customer,

*Congratulations on your purchase of the world's finest brand of audio products. At Rockford Fosgate we are fanatics about musical reproduction at its best, and we are pleased you chose our product. Through years of engineering expertise, hand craftsmanship and critical testing procedures, we have created a wide range of products that reproduce music with all the clarity and richness you deserve.*

*For maximum performance we recommend you have your new Rockford Fosgate product installed by an Authorized Rockford Fosgate Dealer, as we provide specialized training through Rockford Technical Training Institute (RTTI). Please read your warranty and retain your receipt and original carton for possible future use.*

*Great product and competent installations are only a piece of the puzzle when it comes to your system. Make sure that your installer is using 100% authentic installation accessories from Rockford Fosgate in your installation. Rockford Fosgate has everything from RCA cables and speaker wire to power wire and battery connectors. Insist on it! After all, your new system deserves nothing but the best.*

*To add the finishing touch to your new Rockford Fosgate image order your Rockford accessories, which include everything from T-shirts to hats.*

*Visit our web site for the latest information on all Rockford products;*

**[www.rockfordfosgate.com](http://www.rockfordfosgate.com)**

or, in the U.S. call 1-800-669-9899 or FAX 1-800-398-3985. For all other countries, call +001-480-967-3565 or FAX +001-480-966-3983.

## Table of Contents

2	Introduction
3-4	Specifications / Mounting
5-9	Installation
10-11	Blank
12	Warranty

If, after reading your manual, you still have questions regarding this product, we recommend that you see your Rockford Fosgate dealer. If you need further assistance, you can call us direct at **1-800-669-9899**. Be sure to have your serial number, model number and date of purchase available when you call.

### **PRACTICE SAFE SOUND**

Continuous exposure to sound pressure levels over 100dB may cause permanent hearing loss. High powered auto sound systems may produce sound pressure levels well over 130dB. Use common sense and practice safe sound.

## Safety

This symbol with "WARNING" is intended to alert the user to the presence of important instructions. Failure to heed the instructions will result in severe injury or death.

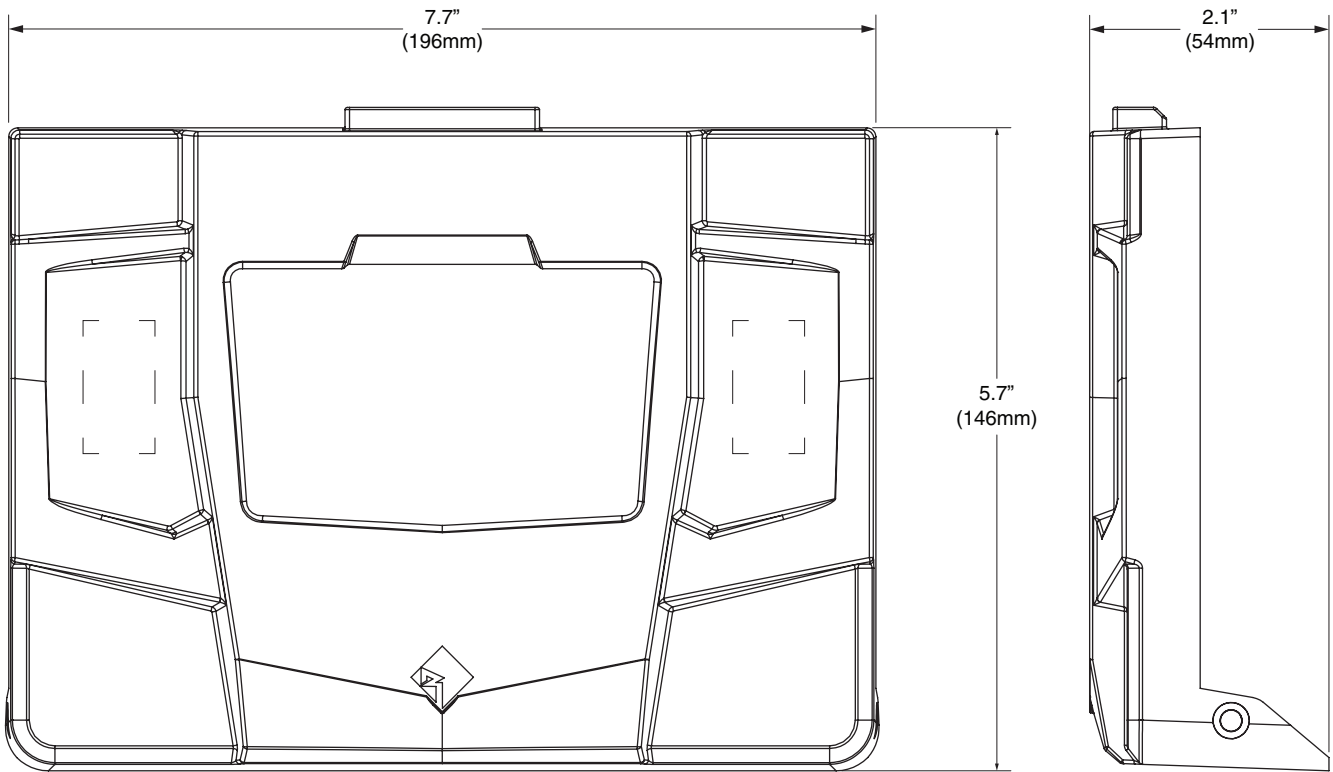


This symbol with "CAUTION" is intended to alert the user to the presence of important instructions. Failure to heed the instructions can result in injury or unit damage.



- To prevent injury and damage to the unit, please read and follow the instructions in this manual. We want you to enjoy this system, not get a headache.
- If you feel unsure about installing this system yourself, have it installed by a qualified Rockford Fosgate technician.
- Before installation, disconnect the battery negative (-) terminal to prevent damage to the unit, fire and/or possible injury.

RFRZ-PMXODK



FRONT VIEW

SIDE VIEW

Fig. 1

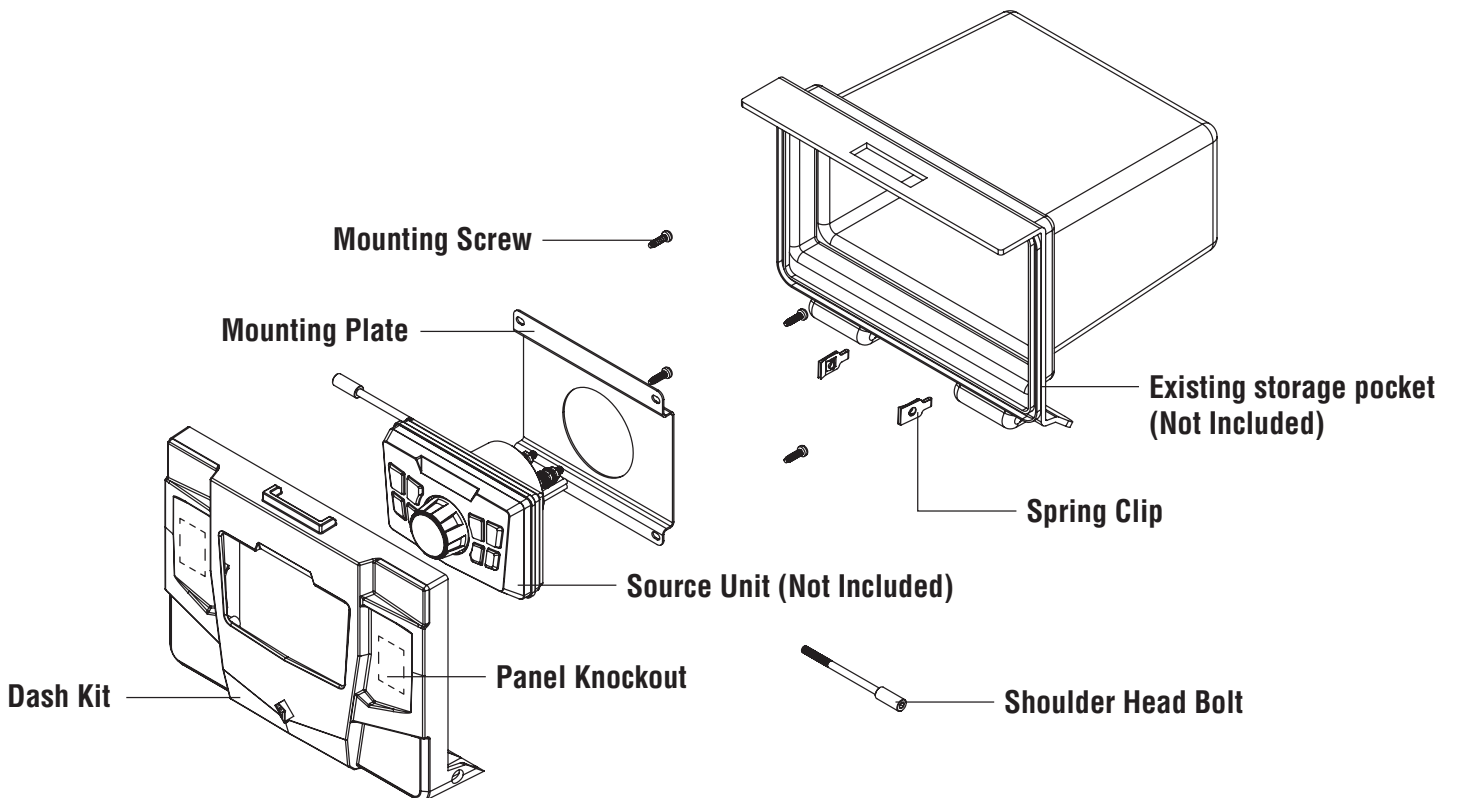
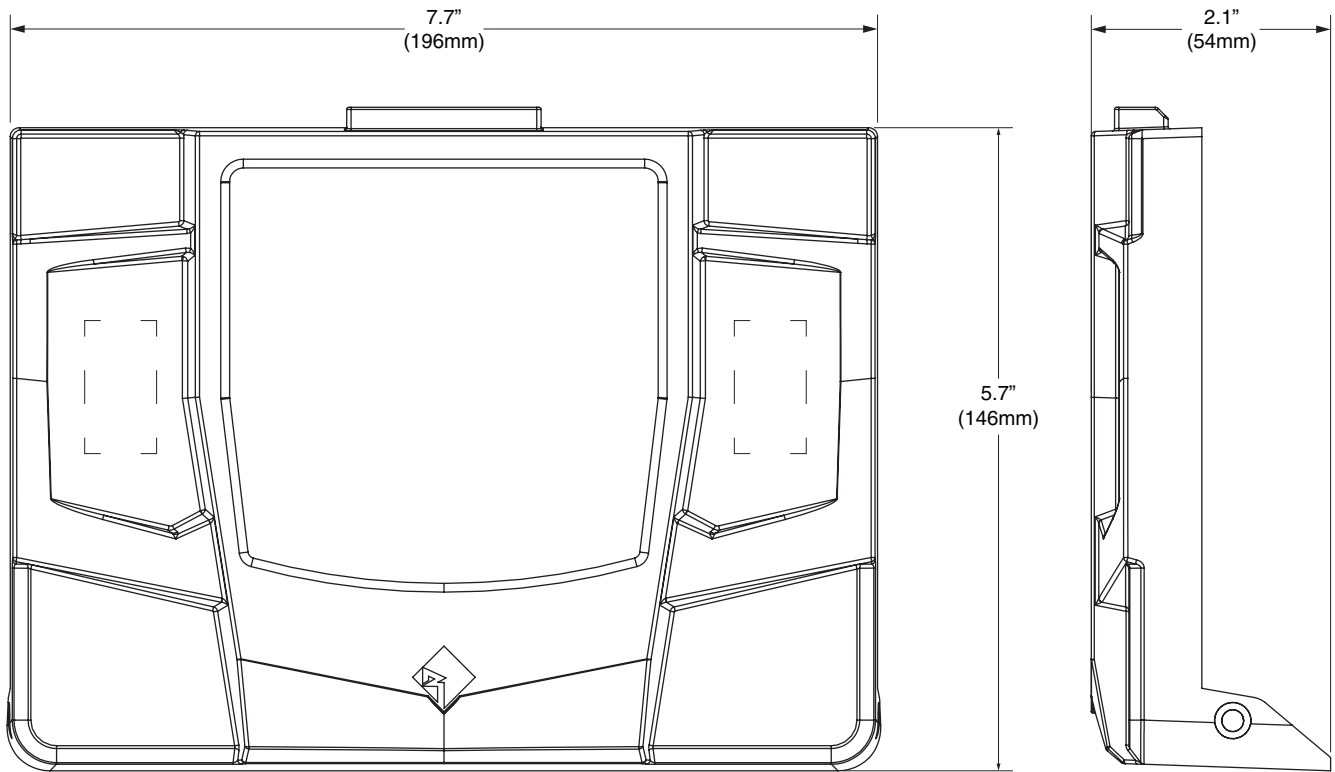


Fig. 2

# Specifications / Mounting

RFRZ-PMX2DK



FRONT VIEW

SIDE VIEW

Fig. 3

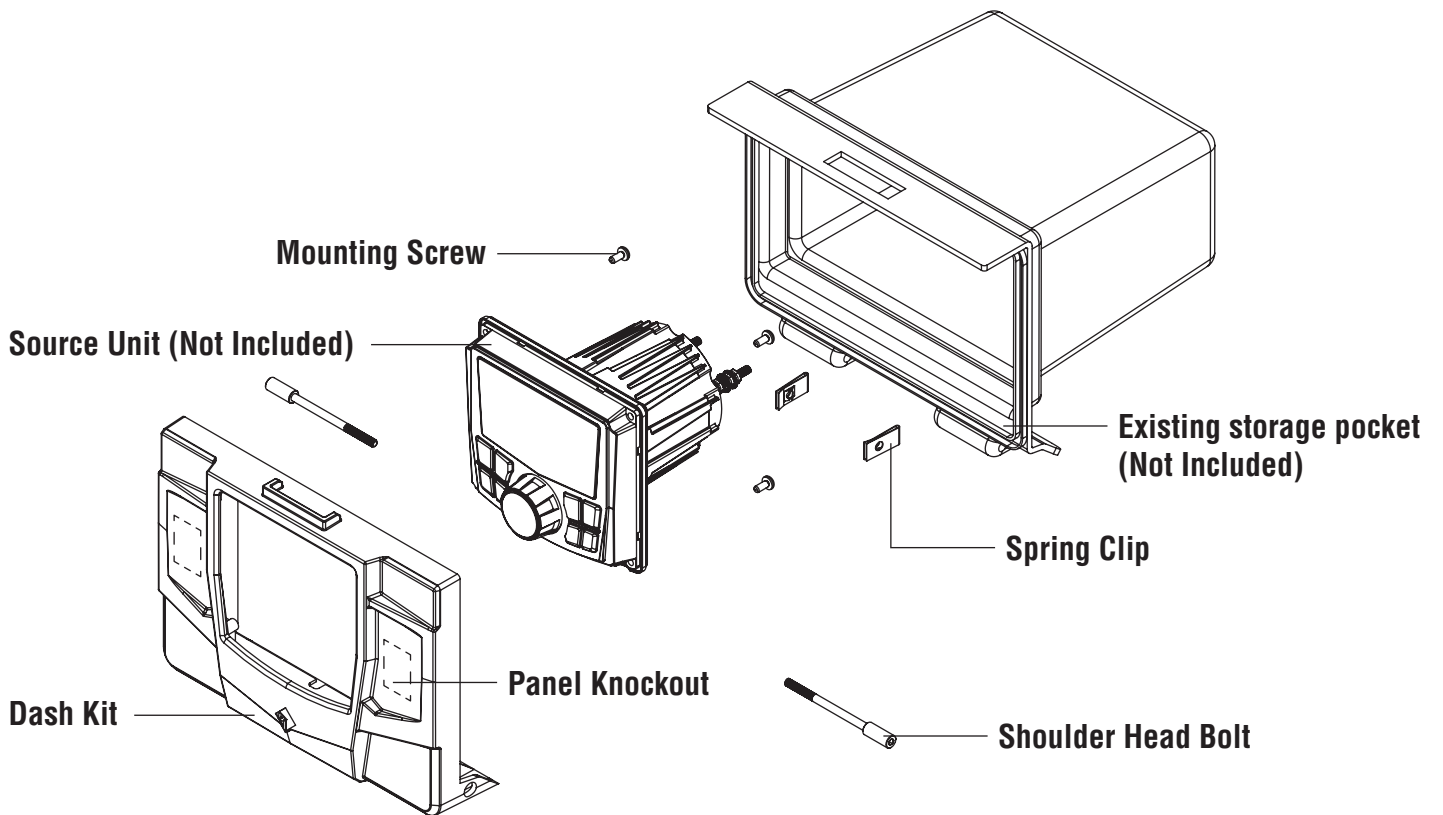


Fig. 4

## Contents

- Dash Kit
- Allen Wrench
- (2) Shoulder Head Bolts
- (2) Speed Clips
- (4) Mounting Screws
- Installaton Guide

## Installation Tools

The following is a list of suggested tools needed for installation:

- Torx - T40
- Pry Tool or Small Flat Blade
- Screw Driver

## Installation Considerations

This section focuses on some considerations for installing your Polaris RZR dash kit. This manual will illustrate the installation process with a 2014 Polaris RZR XP4 1000 with a RFRZ-PMX2DK.

**NOTE: The process for removing the center pocket to mount the dash kits are the same for both the RFRZ-PMX0DK and RFRZ-PMX2DK. Refer to the drawings on pages 3 & 4 for attaching the source units to the dash kits.**

If you feel unsure about installing this system yourself, have it installed by a qualified technician.

**⚠ CAUTION** Before installation, disconnect the battery negative (-) terminal to prevent damage to the unit, fire and/or possible injury.

**⚠ CAUTION** Before beginning any installation, follow these simple rules:

- Be sure to carefully read and understand the instructions before attempting to install this source unit dash kit.
- Consult your UTV's service manual for model specific information. Models may differ from year to year depending on factory options and aftermarket accessories added.
- These dash kits are specifically designed to work with Rockford Fosgate's PMX series compact digital media receivers.
- With the addition of an amplifier or source unit, be sure that your current charging system is in proper working order.
- Visit [rockfordfosgate.com](http://rockfordfosgate.com) for more comprehensive installation videos and product information.

## 2014 and up RZR® XP/XP4 1000 2016 and up RZR® XP/XP4 Turbo \*2015 and up RZR® XP/XP4 900

\* Must purchase storage pocket from Polaris® for a 2014 and up RZR® XP/XP4 1000 to utilize this dash kit on 2015 and up RZR® XP/XP4 900 models.



### Step 1 - Remove Hood

To begin with, rotate the mounting clips to remove the hood.



### Step 2 - Remove the Instrument Panel

Once the hood is removed, you can now access the bolts holding in the instrument panel that mounts on top of the dash. Using a Torx screwdriver, remove the two bolts holding the panel in place.



## Installation

Lift off the panel once the bolts are removed. This will give you access to the center pocket support bracket.



### Step 3 - Remove the Center Pocket Brace

Using a Torx screwdriver, remove the bolt that attaches the brace to the rear of the pocket.



### Step 4 - Remove the Center Pocket

After the brace is disconnected from the center pocket, pull the pocket out of the dash.



### Step 5 - Remove the Center Pocket Protective Cover

Turn the center pocket upside down to provide access to the protective cover pins. Using a pry tool, simply pry the two pins loose so you can remove the cover.

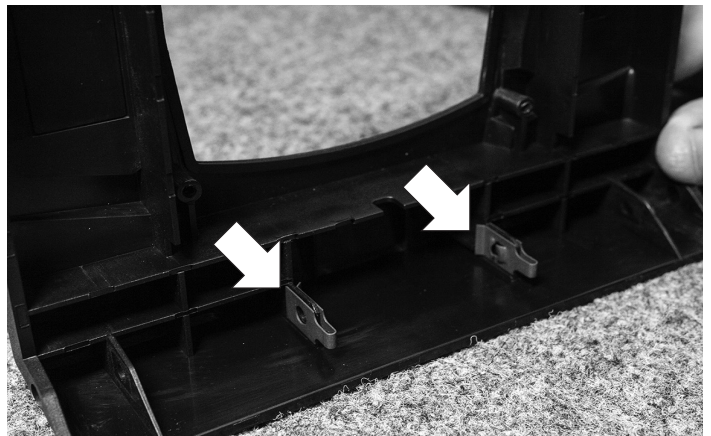


### Step 6 - Apply Speed Clips to Dash Kit

Using the two speed clips that are included with the kit, you will need to slide them onto the rear of the dash piece.



Make sure the speed clips are orientated like the picture below.



### Step 6a - Optional Knockout Panels for Accessory Switches



This dash kit also offers additional space to mount up to two rocker panel switches for accessories.

On the rear of the dash kit, grooves are provided to give you proper location and size for mounting additional switches.



Once you have these holes cut, simply insert your switch from the front side until it locks into place.



### Step 7 - Mount the Source Unit to the Dash Kit

Before mounting the source unit to the dash kit, make sure that trim bezel that is included with the source unit is NOT attached. If it is attached, you will need to remove it. It will NOT be used.



Place the source unit onto the rear of the dash kit.



Attach the source unit using the four mounting screws that are included with the kit.



## Installation

### Step 8 - Attach the Dash Kit to the Center Pocket

On the rear of the pocket, you will need to remove one of the circular knockout panels providing an access hole to route wiring from your source to your vehicle.



### Step 9 - Attach the Dash Kit to the Center Pocket

To attach the dash kit to the center pocket, insert the wiring into the pocket first. You will need to connect your wiring to the source unit and feed the wiring out the rear of the pocket hole that was cut. Next place the dash kit onto the front of the pocket. Insert the tab on top of the dash kit into the slot on the pocket.



Once the dash kit is locked in, you will need to use the two screws to attach the bottom of the dash kit to the pocket.



NOTE: Make sure the speed clips are lined up correctly or the screw will not be able to be tightened.

### Step 10 - Reinstalling the Dash Kit

Slide the dash kit, source unit and wiring back into the dash.



Retattach the rear support bracket to the pocket.



Once the rear brace is secure the dash kit is installed and now the vehicle can be put back together





## Step 11 - Reinstalling Instrument Panel

Place the instrument panel back on top of the dash.



Secure the panel with factory screws.



## Step 12 - Attach Hood

Place the hood back on the vehicle and rotate the mounting clip to lock the hood back into place.







# Warranty

---

**Rockford Corporation offers a limited warranty on Rockford Fosgate products on the following terms:**

## **Length of Warranty**

- POWER Amplifiers – 2 Years
- BMW® Direct Fit Speakers – 2 Years
- All other products – 1 Year
- Any Factory Refurbished Product – 90 days (receipt required)

## **What is Covered**

This warranty applies only to Rockford Fosgate products sold to consumers by Authorized Rockford Fosgate Dealers in the United States of America or its possessions. Product purchased by consumers from an Authorized Rockford Fosgate Dealer in another country are covered only by that country's Distributor and not by Rockford Corporation.

## **Who is Covered**

This warranty covers only the original purchaser of Rockford product purchased from an Authorized Rockford Fosgate Dealer in the United States. In order to receive service, the purchaser must provide Rockford with a copy of the receipt stating the customer name, dealer name, product purchased and date of purchase.

Products found to be defective during the warranty period will be repaired or replaced (with a product deemed to be equivalent) at Rockford's discretion.

## **What is Not Covered**

1. Damage caused by accident, abuse, improper operations, water, theft, shipping.
2. Any cost or expense related to the removal or reinstallation of product.
3. Service performed by anyone other than Rockford or an Authorized Rockford Fosgate Service Center.
4. Any product which has had the serial number defaced, altered, or removed.
5. Subsequent damage to other components.
6. Any product purchased outside the U.S.
7. Any product not purchased from an Authorized Rockford Fosgate Dealer.

## **Limit on Implied Warranties**

Any implied warranties including warranties of fitness for use and merchantability are limited in duration to the period of the express warranty set forth above. Some states do not allow limitations on the length of an implied warranty, so this limitation may not apply. No person is authorized to assume for Rockford Fosgate any other liability in connection with the sale of the product.

## **How to Obtain Service**

Contact the Authorized Rockford Fosgate Dealer you purchased this product from. If you need further assistance, call 1-800-669-9899 for Rockford Customer Service. You must obtain an RA# (Return Authorization number) to return any product to Rockford Fosgate. You are responsible for shipment of product to Rockford.

## **EU Warranty**

This product meets the current EU warranty requirements, see your Authorized dealer for details.