

Installation assistance available at:

RFTTECH

www.rockfordfosgate.com/rfttech

RZR® FRONT SPEAKER ENCLOSURES

RFRZ-FSE



Serial Number: _____ Date of Purchase: _____

Introduction

Dear Customer,

Congratulations on your purchase of the world's finest brand of audio products. At Rockford Fosgate we are fanatics about musical reproduction at its best, and we are pleased you chose our product. Through years of engineering expertise, hand craftsmanship and critical testing procedures, we have created a wide range of products that reproduce music with all the clarity and richness you deserve.

For maximum performance we recommend you have your new Rockford Fosgate product installed by an Authorized Rockford Fosgate Dealer, as we provide specialized training through Rockford Technical Training Institute (RTTI). Please read your warranty and retain your receipt and original carton for possible future use.

Great product and competent installations are only a piece of the puzzle when it comes to your system. Make sure that your installer is using 100% authentic installation accessories from Rockford Fosgate in your installation. Rockford Fosgate has everything from RCA cables and speaker wire to power wire and battery connectors. Insist on it! After all, your new system deserves nothing but the best.

To add the finishing touch to your new Rockford Fosgate image order your Rockford accessories, which include everything from T-shirts to hats.

Visit our web site for the latest information on all Rockford products;

www.rockfordfosgate.com

or, in the U.S. call 1-800-669-9899 or FAX 1-800-398-3985. For all other countries, call +001-480-967-3565 or FAX +001-480-966-3983.

Table of Content

2	Introduction
3	Enclosure Assembly
4-6	Installation
7	Blank
8	Warranty

If, after reading your manual, you still have questions regarding this product, we recommend that you see your Rockford Fosgate dealer. If you need further assistance, you can call us direct at **1-800-669-9899**. Be sure to have your serial number, model number and date of purchase available when you call.

PRACTICE SAFE SOUND

Continuous exposure to sound pressure levels over 100dB may cause permanent hearing loss. High powered auto sound systems may produce sound pressure levels well over 130dB. Use common sense and practice safe sound.

Safety

This symbol with "WARNING" is intended to alert the user to the presence of important instructions. Failure to heed the instructions will result in severe injury or death.

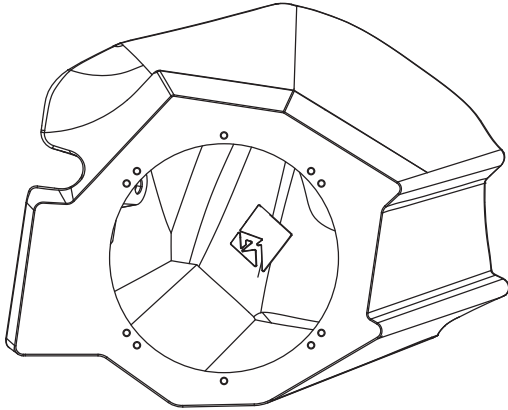


This symbol with "CAUTION" is intended to alert the user to the presence of important instructions. Failure to heed the instructions can result in injury or unit damage.

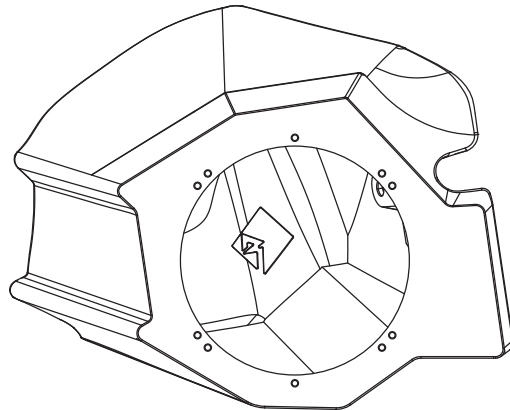


- To prevent injury and damage to the unit, please read and follow the instructions in this manual. We want you to enjoy this system, not get a headache.
- If you feel unsure about installing this system yourself, have it installed by a qualified Rockford Fosgate technician.
- Before installation, disconnect the battery negative (-) terminal to prevent damage to the unit, fire and/or possible injury.

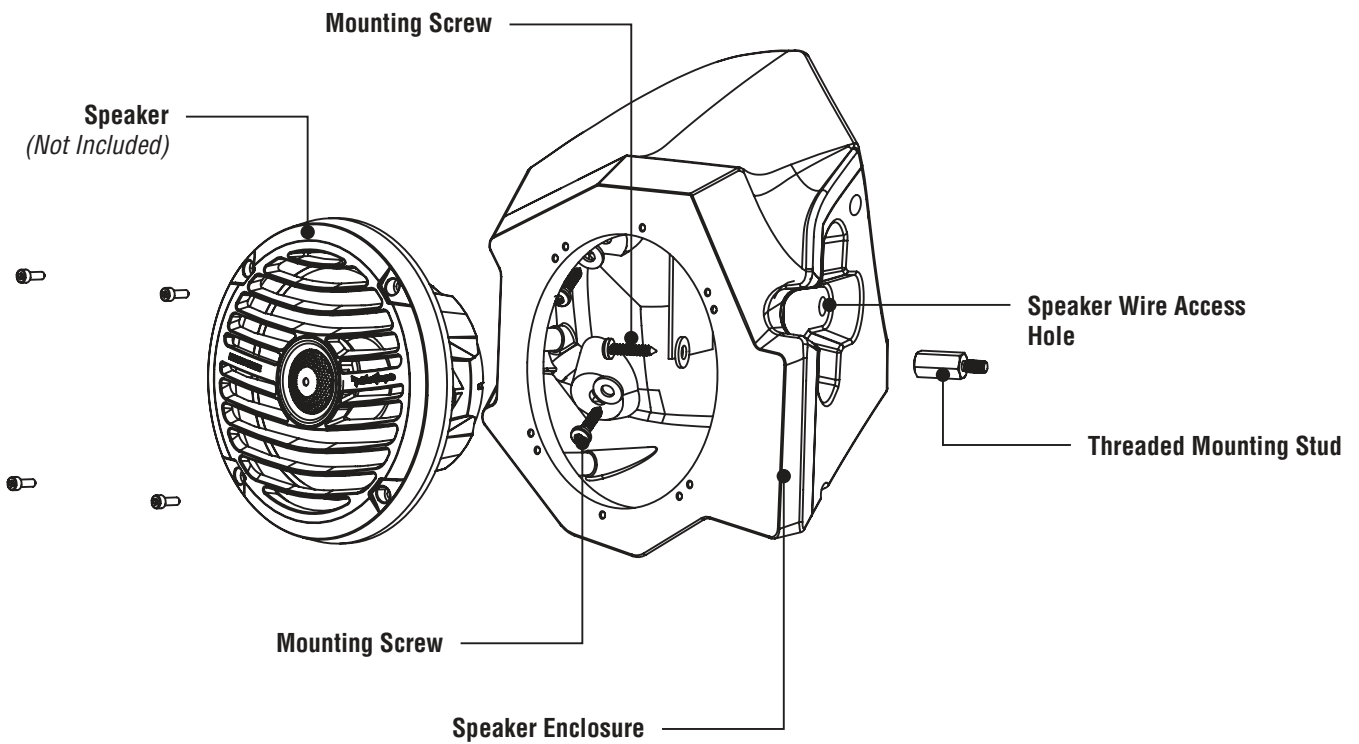
DRIVER SIDE (LEFT)



PASSENGER SIDE (RIGHT)



TYPICAL ASSEMBLY
(Passenger Side Shown)



Installation

Contents

- (1) Passenger Side Front Speaker Enclosure
- (1) Driver Side Front Speaker Enclosure
- (2) Foam Tape
- (2) Threaded Studs
- (4) Mounting Screws w/ Washers
- (2) Mounting Bolts w/ Washers
- Installation Guide

Installation Tools

The following is a list of suggested tools needed for installation:

- Ratchet
- 5/32" Allen Wrench
- 15mm Socket
- 13mm Socket

Installation Considerations

This section focuses on some considerations for installing your Polaris® RZR® Front Speaker Pod Enclosures. This manual will illustrate the installation process with a 2016 Polaris RZR XP4 Turbo.

If you feel unsure about installing this system yourself, have it installed by a qualified technician.

⚠ CAUTION Before installation, disconnect the battery negative (-) terminal to prevent damage to the unit, fire and/or possible injury.

⚠ CAUTION Before beginning any installation, follow these simple rules:

- Be sure to carefully read and understand the instructions before attempting to install this enclosure kit.
- Consult your UTV's service manual for model specific information. Models may differ from year to year depending on factory options and aftermarket accessories added.
- This dash kit is specifically designed to work with Rockford Fosgate's Element Ready 6.5" speakers.
- With the addition of an amplifier or source unit, be sure that your current charging system is in proper working order.
- Visit rockfordfosgate.com for more comprehensive installation videos and product information.



Applicable Models:

2014 and up RZR® XP/XP4 1000

2016 and up RZR® XP/XP4 Turbo

2015 and up RZR® S/ XC / 4 900



The speaker pods are designed to work with Rockford Fosgate's RFRZ-PMXWH1 and RFRZ-K4D wire kits. After the front speaker wire is run through both down tubes, you are ready to start the process of mounting the enclosure.

NOTE: There are factory plastic bosses located on the fire wall that the new pods will be mounted to.

NOTE: If you have purchased our front subwoofer enclosure (RFRZ-FWE), you must install it prior to installing this kit RFRZ-FSE).



Step 1 - Bolt Removal

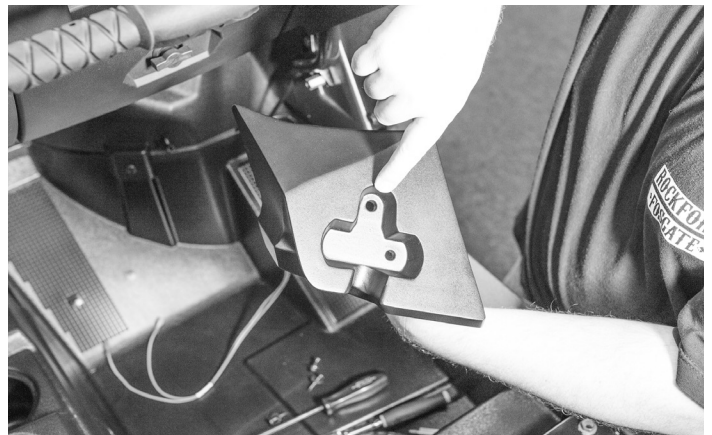
There are two bolts on the kick panel that attach the plastic floor panels to the chassis of the vehicle. The bottom bolt will need to be removed.

NOTE: This install shows the enclosure mounting to the passenger side of the vehicle for better visibility. The install process is the same for both sides of the vehicle.



Step 2 - Attach Threaded Stud

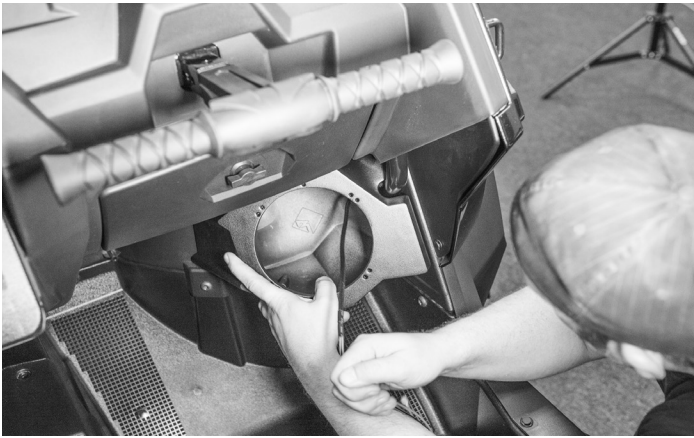
Once the bolt is removed, install the threaded stud back into the hole where the bolt was removed. This provides a new mounting point for the speaker enclosure.



Step 3 - Insert Speaker Wire

Feed the installed speaker wire through the hole on the pod before mounting.

Installation



Step 4 - Mount the Speaker Enclosure

Position the enclosure over the threaded stud and plastic bosses. Be sure to line up the holes before inserting mounting screws and tightening.

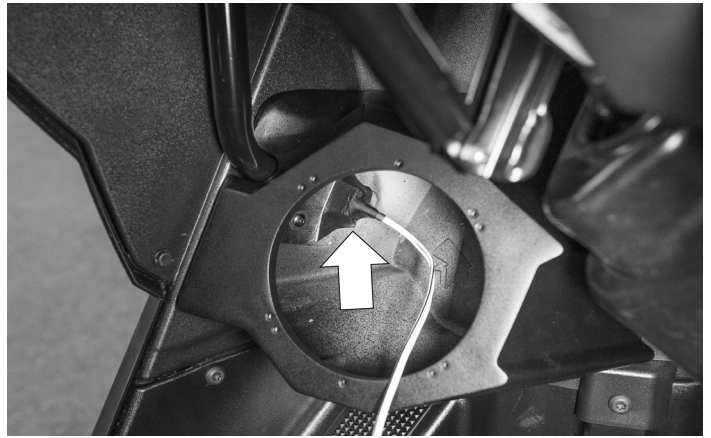
NOTE: There are (2) mounting screws with washers, (1) mounting bolt that hold each speaker enclosure in place. Leaving the screws and bolts loose until all hardware in place makes final fitment easier. Once all hardware is in place, tighten to 8 ft. lbs. of torque to secure the pod.

⚠ WARNING Overtightening will cause damage to the plastic bosses and threads in stud.



Step 5 - Foam Tape Placement

Foam tape is provided to cover the speaker wire access hole after the wire is installed. This is to prevent moisture from getting inside the pod and air from escaping.



Step 6 - Mount Speaker Into Enclosure

Connect the front speaker wires to the speaker by sliding the connectors over the speaker terminals. Be sure to maintain proper polarity when wiring up the speaker.

NOTE: The driver side speaker enclosure mounts the same way as the passenger side. It is recommended doing one side at a time.

Warranty

Rockford Corporation offers a limited warranty on Rockford Fosgate products on the following terms:

Length of Warranty

- POWER Amplifiers – 2 Years
- BMW® Direct Fit Speakers – 2 Years
- All other products – 1 Year
- Any Factory Refurbished Product – 90 days (receipt required)

What is Covered

This warranty applies only to Rockford Fosgate products sold to consumers by Authorized Rockford Fosgate Dealers in the United States of America or its possessions. Product purchased by consumers from an Authorized Rockford Fosgate Dealer in another country are covered only by that country's Distributor and not by Rockford Corporation.

Who is Covered

This warranty covers only the original purchaser of Rockford product purchased from an Authorized Rockford Fosgate Dealer in the United States. In order to receive service, the purchaser must provide Rockford with a copy of the receipt stating the customer name, dealer name, product purchased and date of purchase.

Products found to be defective during the warranty period will be repaired or replaced (with a product deemed to be equivalent) at Rockford's discretion.

What is Not Covered

1. Damage caused by accident, abuse, improper operations, water, theft, shipping.
2. Any cost or expense related to the removal or reinstallation of product.
3. Service performed by anyone other than Rockford or an Authorized Rockford Fosgate Service Center.
4. Any product which has had the serial number defaced, altered, or removed.
5. Subsequent damage to other components.
6. Any product purchased outside the U.S.
7. Any product not purchased from an Authorized Rockford Fosgate Dealer.

Limit on Implied Warranties

Any implied warranties including warranties of fitness for use and merchantability are limited in duration to the period of the express warranty set forth above. Some states do not allow limitations on the length of an implied warranty, so this limitation may not apply. No person is authorized to assume for Rockford Fosgate any other liability in connection with the sale of the product.

How to Obtain Service

Contact the Authorized Rockford Fosgate Dealer you purchased this product from. If you need further assistance, call 1-800-669-9899 for Rockford Customer Service. You must obtain an RA# (Return Authorization number) to return any product to Rockford Fosgate. You are responsible for shipment of product to Rockford.

EU Warranty

This product meets the current EU warranty requirements, see your Authorized dealer for details.