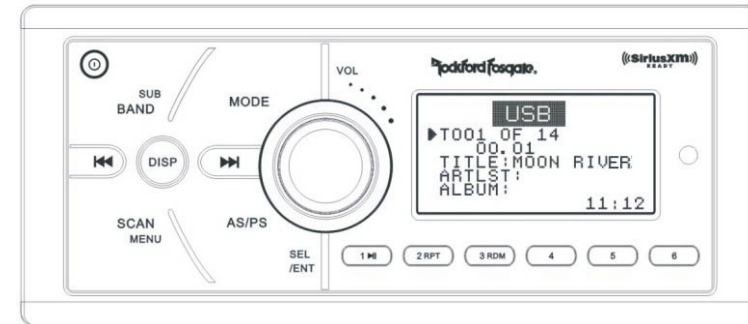




INSTRUCTION MANUAL

MODEL :RFX9901DM2



- Capacitive Touch Control Panel
- 7-line Dot Matrix Display
- SiriusXM-Ready
- FM/AM Stereo Radio
- RDS Ready
- HDMI Output
- CD-DVD Changer Support
- USB & SD A/V Play
- DIGI MUSIC PLAY
- Punch EQ
- Bluetooth

CONTENTS

CONTENTS	1
CONTROL PANEL (WIRE REMOTE) ILLUSTRATION.....	2
WIRE DIAGRAM	3
INSTALLATION	4
BASIC OPERATION	6
RADIO OPERATION	8
SIRIUSXM OPERATION.....	10
USB/SD OPERATION.....	13
AUX IN OPERATION.....	15
DIGI MUSIC OPERATION.....	16
CDC/DVDC OPERATION.....	17
BLUETOOTH OPERATION.....	18
IR REMOTE CONTROL.....	19
SPECIFICATIONS	20
TROUBLESHOOTING	21

TROUBLESHOOTING

Check Antenna (Display message in SiriusXM mode)		Ensure the SiriusXM antenna cable is connected to the SiriusXM tuner correctly. Check the SiriusXM antenna wire for breaks or sharp bends. Replace the antenna if necessary. If the message remains, the antenna may have been damaged.
No Signal (Display message in SiriusXM mode)		The vehicle must be outside, and the antenna must have a clear view of the southern sky. The magnetic antenna must be mounted on the outside of the vehicle for the best reception.
Channel Not Subscribed (Display message in SiriusXM mode)		This channel is not included in your SiriusXM subscription plan. Call 1-800-XM-RADIO (1-800-967-2346) to subscribe.
Channel Not Available (Display message in SiriusXM mode)		This channel is not a valid SiriusXM channel. The channel number has been entered incorrectly, or the channel was removed from the SiriusXM channel lineup.
Channel Locked (Display message in SiriusXM mode)		The selected channel has been locked by the parental controls, or a mature channel has been selected. A prompt to enter the unlock code will appear. Enter the unlock code as described on page 9.
Subscription Updated (Display message in SiriusXM mode)		An update to your SiriusXM subscription has been received by the SiriusXM tuner. Press any button to continue.

WARRANTY INFORMATION:

Should this product require service, you may obtain specific information by contacting the dealer from whom this product was purchased.

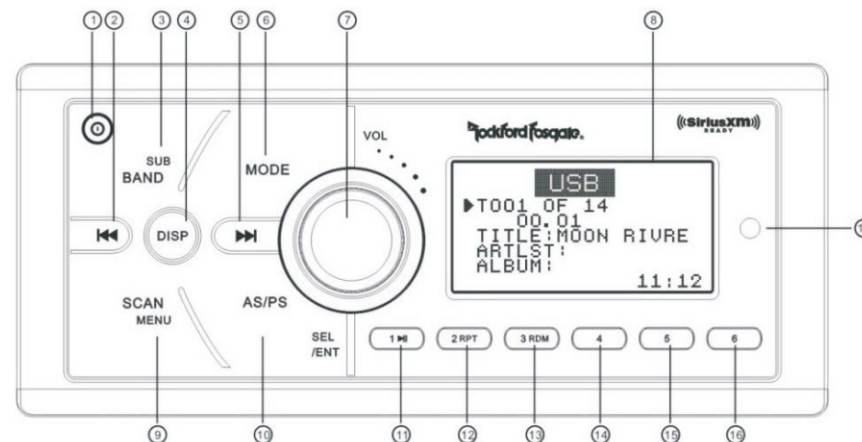
For any service related questions, please call our technical service team.

Technical Support Phone Number: 574-970-8348

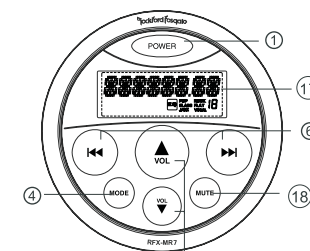
TROUBLESHOOTING

PROBLEM	CAUSE	CORRECTIVE ACTION
No power	Blown fuse, power wires disconnected	Check the fuse and power wire or ground wire connection
No sound	Mute is on, Volume set at minimum, wiring is not properly connected	Turn Mute to off, adjust volume to a desired level, check the speaker wire
Cannot read some USB devices	This unit is not 100% compatible with all USB devices or the USB devices has special format.	Try to format the USB device in FAT 16/32 standard
Unit powers off	The battery may be too low (the unit operating voltage is 10.8v to 15.6v).	
Unit takes about 45 seconds to recognize some USB device	This is normal. The unit sometimes takes longer time to read all the files inside the USB device.	Try to remove the USB device and insert it again.
Operations keys does not work		Completely disconnect the power for 1 minute or 2 then plug it back in again
The unit picks up the engine noise.		Check the ground wire.
The PRESET Station memory is gone after battery change or discharge		This is normal. User has to re-program.
The radio does not work. The radio station automatic selection does not work	The antenna cable is not connected or the signals are too weak	Insert the antenna cable firmly or select a station manually
RDS function can not be selected		Make sure to choose the EUR (Europe) AREA in tuner region setting
SiriusXM mode can not be selected		Make sure to choose the USA AREA in tuner region setting
Check Tuner (Display message in SiriusXM mode)		Check the SiriusXM tuner connection on the back of the unit to ensure that it's correctly connected.

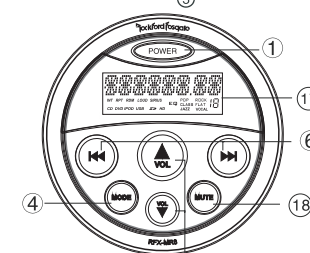
CONTROL PANEL ILLUSTRATION



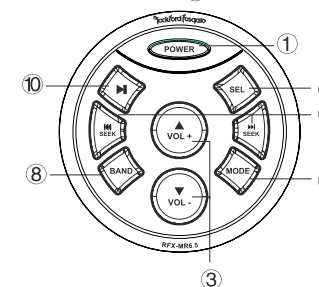
1. POWER
2. SEEK-
3. BAND/SUB
4. DISP
5. SEEK+
6. MODE
7. VOLUME SEL/ENT
8. LCD Display
9. SCAN/MENU
10. AS/PS
11. Preset 1/ PAUSE-PLAY
12. Preset 2/RPT
13. Preset 3//RDM
14. Preset 4
15. Preset 5
16. Preset 6
17. IR Receiver
18. MUTE



(RFX-MR7
OPTION)

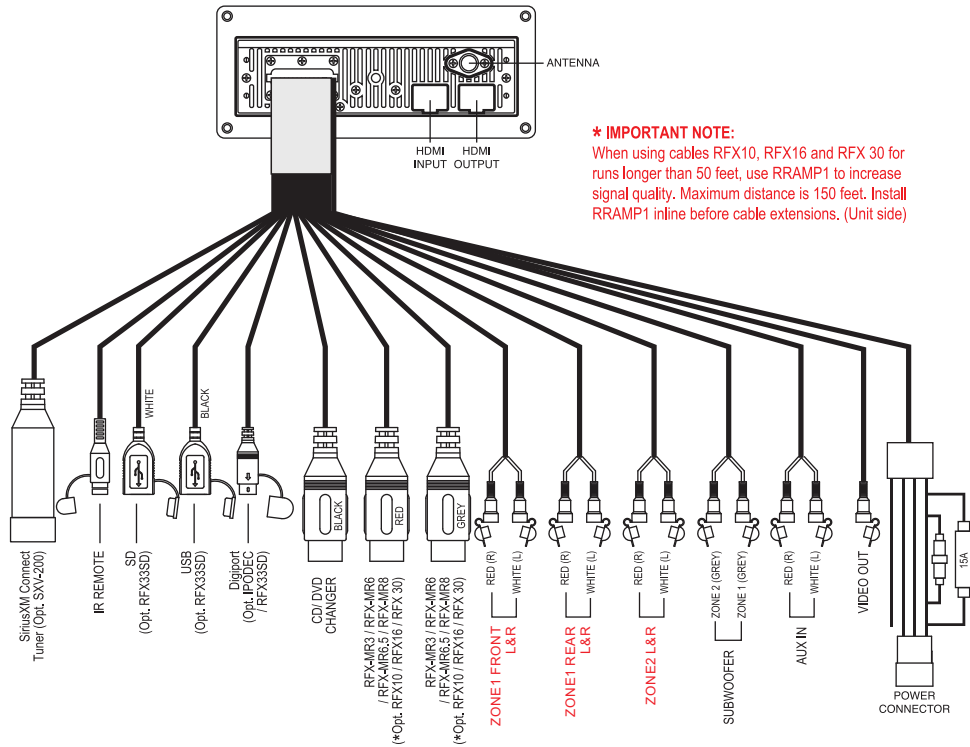


(RFX-MR8
OPTION)

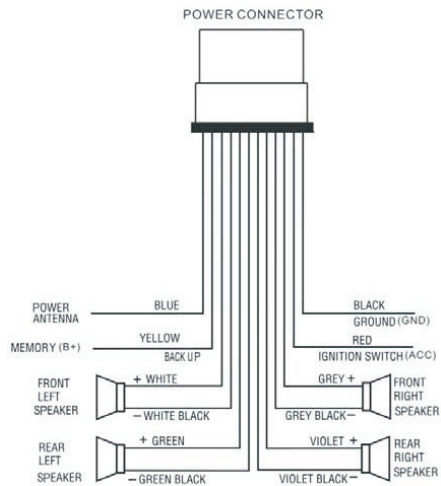


(RFX-MR6.5
OPTION)

WIRE DIAGRAM



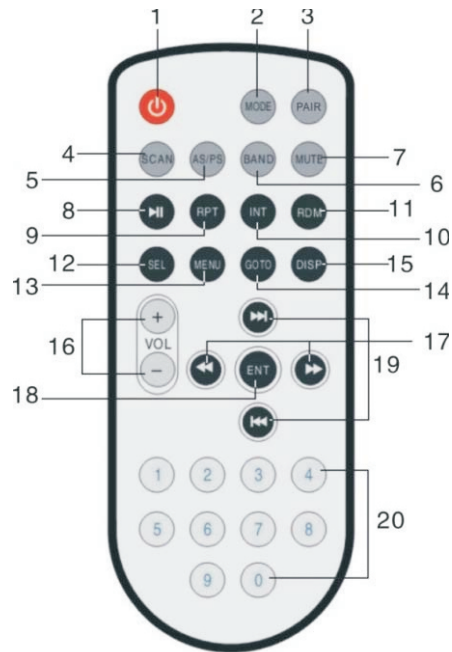
*** IMPORTANT NOTE:**
When using cables RFX10, RFX16 and RFX 30 for runs longer than 50 feet, use RRAMP1 to increase signal quality. Maximum distance is 150 feet. Install RRAMP1 inline before cable extensions. (Unit side)



SPECIFICATIONS

Note: Specifications and the design are subject to possible modification without notice due to improvement.

USB/SD/DMD PLAYER	SPECIFICATION
Signal to Noise Ratio	> 60dB
Frequency response	20HZ – 20KHZ
Channel Separation	> 60dB
TUNER(AM)	
Frequency Range	530KHZ – 1710KHZ
Usable Sensitivity	38dBuV
TUNER(FM)	
Frequency Range	87.5MHZ – 107.9MHZ
Sensitivity	2.8uV
Stereo Separation	30dB
Signal to Noise Ratio	50dB
LINE-OUT	
Output	2.5V (max)
Impedance	10k Ohm
GENERAL	
Power Supply	12V DC (10.8-15.6V allowable)
Speaker Impedance	4 or 8 Ohm
Output Power	45W X 4 CH@4Ohm
Fuse	15A



(OPTION)

1. POWER
2. MODE
3. PAIR
4. SCAN
5. AS/PS
6. BAND
7. MUTE
8. PLAY/PAUSE
9. REPEAT
10. INTRO
11. RANDOM
12. SELECT
13. MENU
14. GOTO
15. DISP
16. VOL+,VOL-
17. REMIND/FORWARD
18. ENT
19. NEXT/PREVIOUS
20. NUM0 - NUM9(3 is for up, 0 is for down, 6 is for left, 8 is for right, 7 is for enter)

FUSE REPLACEMENT

If there is an issue with the fuse, be sure to check all power connections and replace the fuse with same type and rating. If a fuse blows after replacement, you may have an internal malfunction with the unit. Please consult with your nearest repair center.

Warning: When replacing the fuse, be sure to use the same type and rating of the existing fuse. The use of a varying type or rating may cause serious damage to the unit.

PRECAUTIONS

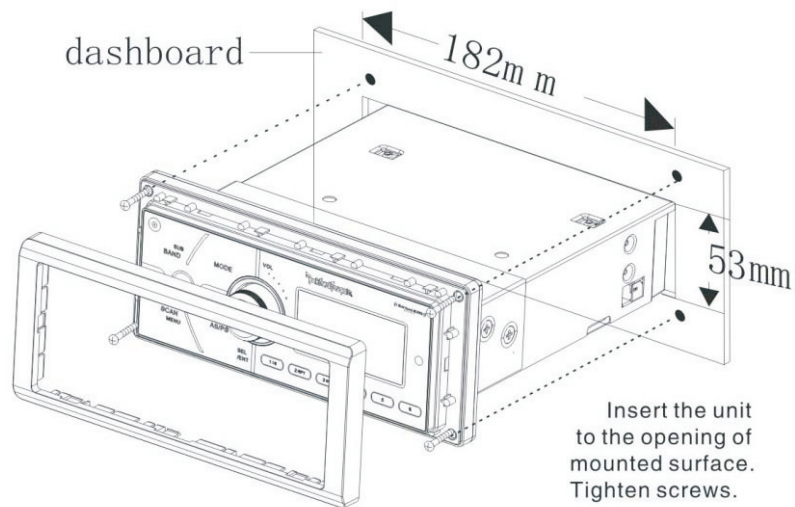
Carefully choose a mounting location so that the unit will not interfere with normal driving functions of the vehicle.

Avoid installing the unit where it will be subjected to excessive vibration, dirt and high temperatures, including direct sunlight, engine compartment heat and engine exhaust.

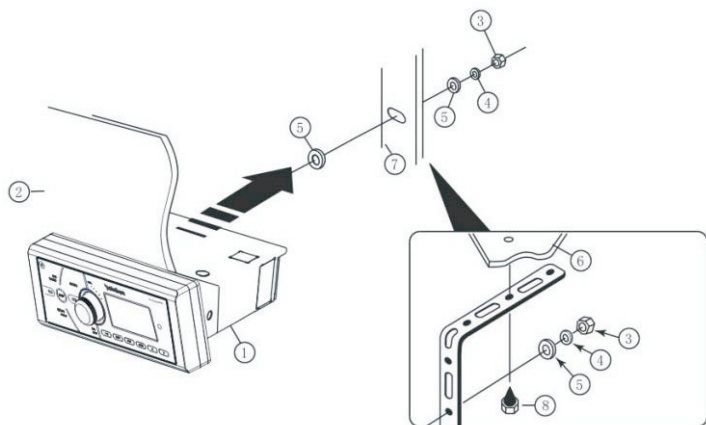
Use only the supplied mounting hardware for a safe and secure installation.

INSTALLATION

Use only the supplied mounting hardware for a safe and secure installation.



To support the unit



1. UNIT
2. DASH BOARD
3. HEX NUT M5
4. LOCK WASHER
5. PLAIN WASHER
6. MARINE BODY
7. REAR SUPPORT STRAP
8. TAPPING SCREW
9. M5x15 HEY BOLT

BLUETOOTH OPERATION

Model: BT built-in

Bluetooth Mode

Press the "MODE" (4) button repeatedly to scroll through available sources and select the BT mode.

To Pair with a Bluetooth device

The unit is ready to pair with the BT mode is selected and make sure you are in close proximity to the dongle.

1. Open the Bluetooth settings on your device.
2. Select "RFX9901DM2" from the list of available Bluetooth devices
3. Enter "0000" as the password for pairing

To Play music from a Bluetooth device

Once the device is paired, the unit is ready to play music from the device.

- Pressing the PLAY/PAUSE button will start and stop the audio playback from the BT device
- To change the track being played, press the >>| or |<< buttons

To disconnect the current Bluetooth device from the unit, simply press and hold the "A/PS" button. This will disconnect the device but it will not erase the pairing from the memory. To erase all Bluetooth pairings stored in the unit's memory, press and hold the "SCAN" button.

CDC/DVDC OPERATION

MODE (6)

- MODE Selection

Short press MODE to select CDC/DVDC mode

Note: If there is no CDC/DVDC connected, this mode will be skipped. If there is a device connected, this mode will be displayed.

SEEK+ (2) / SEEK- (5)

- Track selection

Short press to automatically seek the previous/next available track.

- Track FF/FR

Long press to fast forward/fast rewind

PRESET 1 / PAUSE-PLAY (11)

- Track PAUSE-PLAY

Short press to pause playback. Press again to resume playback.

- Track stop

Long press to stop playback.

PRESET 2 / RPT (12)

- Track repeat

Short press and select "REPEAT: ONE" to repeat the current song. Press and select "REPEAT: ALL" to repeat all tracks or to stop repeat function.

PRESET 3 / RDM (13)

- Track random

Short press and select "RANDOM: TRACK" to randomly play all tracks. Press again and select "RANDOM: OFF" to cancel the random function.

BAND (3) / SCAN (9)

- Disc selection

Short press BAND for "Pre-disc" and SCAN as "Next disc".

BASIC OPERATION

NOTE:

Short Press: Pressing a button less than 2 seconds.

Long Press: Pressing and holding a button longer than 2 seconds.

POWER button (1)

- Power ON/OFF

Long press to turn unit ON or OFF.

VOLUME knob (Push to) SEL/ENT (7)

- Volume Control

Rotate to control volume to desired level (0-40)

- Audio Settings

To access the Audio Settings, short press the Volume knob to select BASS > TREBLE > FADER > BALANCE > PUNCH EQ > EQUALIZER > REAR ZONE (ON/OFF) > REAR ZONE LEVEL (VOL). Rotate the knob to select the desired function. The display will return to normal after leaving untouched for 5 seconds.

- System Settings

To access the System Settings, long press the Volume knob and rotate to select DIMMER (0-10) > STEREO (ON/OFF) > TUNER REGION > 24 HOUR (ON/OFF). Rotate the knob to select the desired function. The display will return to normal after leaving untouched for 5 seconds.

- Punch EQ

Utilizing the Punch EQ feature will increase both bass and treble simultaneously while audio is playing.

- Equalizer

FLAT: Provides no dB boost for Bass and Treble.

POP: Provides -4dB boost of Bass and -8dB boost of Treble.

JAZZ: Provides -2dB boost of Bass and -2dB boost of Treble.

CLASSIC: Provides +2dB boost of Bass and +6dB boost of Treble.

ROCK: Provides +4dB boost of Bass and +8dB boost of Treble.

VOCAL: Provides +8dB boost of Bass and +8dB boost of Treble.

- Rear Zone Operation

The purpose of this feature is to take advantage of playing dual media sources simultaneously. Each zone has the ability to have its own media source along with independent volume control.

- Rear Zone Source

Use the Volume knob to scroll through available sources. Press Volume knob to select source for audio playback.

- Rear Zone Level (Volume)

Use the Volume knob to increase and decrease the volume to a desired level.

Note: Please note if the USB/SD mode is playing in the front zone, the SD/USB mode cannot be selected in the rear zone.

BASIC OPERATION

- Dimmer

By rotating the Volume knob, you are able to adjust the brightness of the LCD display from 0-10.

- Tuner Region

Rotate the Volume knob to scroll through desired region USA/EUROPE/ASIA

- 24 Hour

Rotating the Volume knob switches this mode ON/OFF. This changes the format the time is displayed on the LCD.

MODE

- Mode button

Short pressing the MODE button will scroll through the different modes of the unit. RADIO (AM/FM) > SIRIUSXM > USB > SD > AUX > CDC (DVDC) > BLUETOOTH > DIGI MUSIC

Long pressing the MODE button to switch through REAR ZONE options:

R ZONE Source ↵ ZONE Volume

DISP

- System Time Setting

To set the time, long press DISP until the hour icon begins to flash, press the SEEK+/- key to adjust the hour. Short press DISP until the minute icon begins to flash, press the SEEK +/- key to adjust the minute. The system will save the time and exit if you press DISP button again. If there is no action within 5 seconds after adjusting time, the unit will automatically save and exit as well.

BAND/SUB (3)

- Subwoofer ON/OFF

To turn the Subwoofer RCA output ON/OFF, long press the BAND/SUB button.

DIGI MUSIC OPERATION

MODE (6)

- MODE Selection

Short press MODE to select DIGI MUSIC mode

Note: If there is no DIGI MUSIC connected, this mode will be skipped. If there is a device connected, this mode will be displayed.

SEEK+ (2) / SEEK- (5)

- Track selection

Short press to automatically seek the previous/next available track.

- Track FF/FR

Long press to fast forward/fast rewind

PRESET 1 / PAUSE-PLAY (11)

- Track PAUSE-PLAY

Short press to pause playback. Press again to resume playback.

- Track stop

Long press to stop playback.

PRESET 2 / RPT (12)

- Track repeat

Short press and select "REPEAT: ONE" to repeat the current song. Press and select "REPEAT: ALL" to repeat all tracks or to stop repeat function.

PRESET 3 / RDM (13)

- Track random

Short press and select "RANDOM: TRACK" to randomly play all tracks. Press again and select "RANDOM: OFF" to cancel the random function.

MENU (9) / VOLUME PUSH SEL/ENT (7)

- Menu navigation

Short press MENU to access the device's menu interface. Rotate the Volume knob to choose PLAYLIST/ARTIST/ALBUM/GENRE/SONGS. Press the knob to enter the desired item. Continue to rotate and press the Volume knob to select the folder and play songs. Press MENU again to return to the regular display.

- Control Lock Switch

Long press MENU and the Volume knob together to unlock the DIGI MUSIC control mode, this will allow you to control the DIGI MUSIC from the device directly. When using this feature, song information will not be displayed on the LCD.

USD/SD OPERATION

- File selection

The cursor will default on the first file of the audio files block when there is a USB/SD to be read as long as files are compatible. Use BAND (Up) and SCAN (Down) buttons to choose the files in the current folder.

- Folder Selection

Press PRESET 4 (Left) to move the cursor to the folders block, and then press the BAND (Up) and SCAN (down) buttons to chose the desired folder in the current disk.

- Source Switching

Press PRESET 6 (right) will move the cursor over to the Video source or pressing PRESET 4 (left) twice will move the cursor over to the Audio source. Press PRESET 5 (enter) to access your selection. After accessing the desired source, repeat the File Selection steps to select different folders and files. Long press PRESET 1 to exit playing.

Some USB/SD devices may take more than 45 seconds to initiate after being plugged in.

AUX IN OPERATION

MODE (6)

- MODE Selection

Short press MODE to select the AUX function.

Note: This port is available for portable media players using a 3.5mm (1/8") audio jack. In this mode, all controls and functions have to be controlled through the connected device.

RADIO OPERATION

MODE (6)

- Mode Selection

To select the radio mode, press the MODE button and select FM/AM.

BAND/SUB (3)

- Band Selection

To change the frequency band, press the BAND button to scroll through the band selections FM1 > FM2 > FM3 > AM1 > AM2

SEEK+ (2) / SEEK- (5)

- Automatic Seek

When the radio is on the desired band, the tuner will automatically select the next available radio station as you press the ►| or |◄◄ buttons.

- Manual Tuning

When the radio is on the desired band, pressing the ►►| or |◄◄ for longer than 2 seconds will allow for manual tuning of the radio.

PRESET 1-6 (11-16)

- Storing a Preset Station

When the radio is on the desired band and station, press and hold PRESET buttons 1 – 6 to store the current radio station.

SCAN/MENU (9)

- All Station Scanning

While in radio mode, press the SCAN button to scan through radio stations. The radio will pause for 5 seconds at each detected radio station. Pressing the SCAN button again will stop the scan feature on the current station.

- RDS Function

Note: To utilize the RDS function, make sure to select the EUR (Europe) AREA in the tuner region setting.

RDS (Radio Data System) – This function switches the radio tuner automatically to the strongest available signal for the station you are listening to. This prevents the need for retuning the radio manually while driving. This function includes three settings – AF, TA and PTY.

AF (Alternative Frequency) – This function shows that the RDS is tuning to the strongest available signal for the station selected. It retunes to a different frequency when you move into another area.

RADIO OPERATION

AF Operation – Long press the SCAN/MENU button and press the SEL/ENT to select AF settings. Rotate the Volume knob to turn ON/OFF the AF function. “AF” will flash on the LCD if AF is on. When the RDS signal is currently playing and the signal is below a certain level, the radio will switch to the alternative stations to receive a good signal.

TA or TP (Traffic Announcement or Traffic Program) – This function automatically detects travel announcements on the nearest local radio station and increases the volume when announcement is made. It will interrupt playback from other audio sources when travel announcement alerts are made. This feature can be turned on or off.

TA Operation – Long press the SCAN/MENU button and press the SEL/ENT to select TA settings. Rotate the Volume knob to turn ON/OFF the TA function. “TA” will flash on the LCD if AF is on. Pressing the SEEK+/- button will search stations with TP information. When a radio station with TP information is found, The TP will be displayed on the LCD and the radio will switch to the RADIO mode when there is a traffic alarm and will display _ “TRAFFIC” on the LCD.

PTY (Program Type) – This function displays the type of program, e.g. sport, news, classical music.

PTY Operation - Long press the SCAN/MENU button and press the SEL/ENT to select AF settings. Rotate the Volume knob to turn ON (Group 1/Group 2) or OFF PTY function. If PTY and TA are on, PTY information will be displayed on the LCD and the radio will search all stations with the same PTY. Use PRESET buttons (1-6) to switch between different Program Types (PTY). Then press SEEK+/- button to search the stations with the same PTY information.

Group 1

Preset 1 – “NEWS”
Preset 2 – “INFO”
Preset 3 – “EDUCATE”
Preset 4 – “CULTURE”
Preset 5 – “VARIES”
Preset 6 – “ROCK M”

Group 2

Preset 1 – “LIGHT M”
Preset 2 – “WEATHER”
Preset 3 – “SOCIAL”
Preset 4 – “TRAVEL”
Preset 5 – “COUNTRY”
Preset 6 – “FOLK M”

AS/PS - (10)

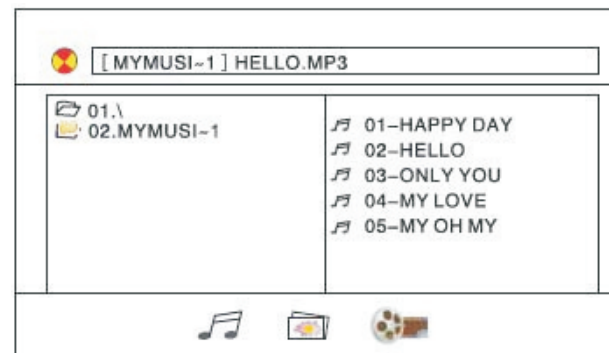
● Automatically Store

Long press the AS/PS button and the unit will automatically scan and store the strongest available radio stations in the FM/AM band. To stop this function before the storing is complete, short press the AS/PS button again.

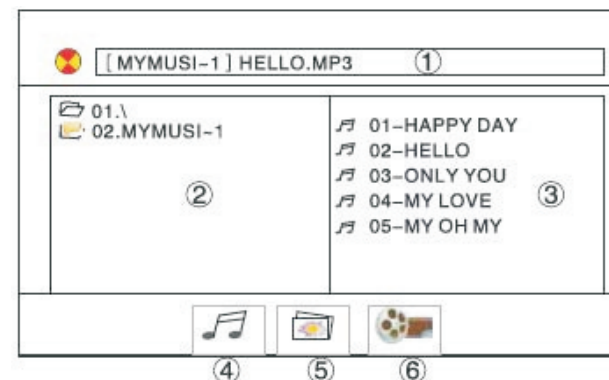
● Preset Station Scanning

Short press the SCAN button to scan preset stations. The unit will keep scanning and play each preset for 5 seconds until you press SCAN again to stop.

USD/SD OPERATION



The menu can display six blocks of information for the media that is loaded.



USB

Block 1: Current File Playing. This area shows what is currently playing.

Block 2: Folders. All available folders will be displayed in the area.

Block 3: Media Files. The media files are displayed in this area.

Block 4: Audio Source

Block 5: Picture Source

Block 6: Video Source

When one of Blocks 4/5/6 are selected, the corresponding media folders and files are displayed in Blocks 1 and 2.

● Operation Tips

On the RFX-MR5BB, the “MENU” button is for navigating UP, “Preset 5” is for DOWN, “Preset 4” is for LEFT and “Preset 6” is for RIGHT. Long pressing “Preset 5” will confirm your selection.

USD/SD OPERATION

MODE (6)

- Short press MODE to select USB/SD mode.

Note: If there is no USB or SD card reader device connected, this mode will be skipped.

SEEK+ (2) / SEEK- (5)

- Track selection

Short press to automatically seek the previous/next available track.

- Track FF/FR

Long press to fast forward/fast rewind

PRESET 1 / PAUSE-PLAY (11)

- Track PAUSE-PLAY

Short press to pause playback. Press again to resume playback.

- Track stop

Long press to stop playback.

PRESET 2 / RPT (12)

- Track repeat

Short press and select "REPEAT: ONE" to repeat the current song. Press and select "REPEAT: ALL" to repeat all tracks or to stop repeat function.

PRESET 3 / RDM (13)

- Track random

Short press and select "RANDOM: TRACK" to randomly play all tracks. Press again and select "RANDOM: OFF" to cancel the random function.

AS/PS (10)

- Direct Track Tuning

Short press, "SEARCH TRACK: ----" will be displayed with the first digit flashing. Rotate the Volume knob to select number 0-9 and press to enter the desired number. Then the second digit will flash and rotate the Volume knob to the desired number and select. Repeat this operation for the remaining number values. After the last number is selected, press the Volume knob to enter and play the desired track.

BAND (3) / SCAN (9) / PRESET 4 (14) / PRESET 5 (15) / PRESET 6 (16)

- Interface navigation (Optional External LCD Display)

When a USB or SD device is plugged in with audio/video/picture files, a menu will be displayed on an external LCD screen (VIDEO out/HDMI out) showing compatible media files for use.

SiriusXM OPERATION

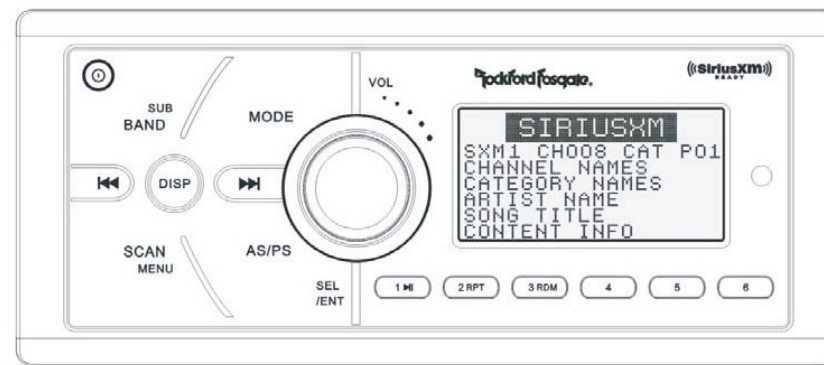
Everything worth listening to is on SiriusXM, getting over 130 channels, including the most commercial-free music, plus the best sports, news, talk and entertainment. A SiriusXM Vehicle Tuner (sold separately) and Subscription are required. For more information, visit www.siriusxm.com.

To listen to SiriusXM Satellite Radio, a subscription is required. Activate the SiriusXM Vehicle Tuner using one of the two methods below:

- Online: Go to www.siriusxm.com/activatenow

- Phone: Call 1-866-635-2349

To view the 8 digit Radio ID of the SiriusXM Vehicle Tuner, tune to channel 000.



SiriusXM Display Diagram

MODE (6)

- Mode Selection

Short press MODE button to select SiriusXM mode.

Note: If there is no SiriusXM TUNER connected this mode will be skipped. Please connect your SiriusXM Tuner to the SiriusXM port located at the back of the unit. Then press MODE button to change to SiriusXM mode.

SEEK+ (2)/SEEK- (5)

- Channel Browsing

If category setting is off, short press the buttons to start browsing all channels. Press the SEEK+/SEEK- key to browsing next/previous channels, Press the enter key to select the channel showed on LCD and play it. If there is no key pressed in 5s, the LCD will change back to display current playing channel information again.

- Category Browsing

If the category setting is on, short press the buttons to start browsing channels in current category. Press the SEEK+/SEEK- key to browsing next/previous channels, Press the enter key to select the channel showed on LCD and play it. If there is no key pressed in 5s, the LCD will change back to display current playing channel information again.

- Rapid Channel Browsing

SiriusXM OPERATION

If category set is off, press and hold the buttons goes into rapid channel browsing mode, you can browsing all channels in higher speed, if you release the touch key, the LCD will show the information of the last browsed channel. , Press the enter key to select the channel showed on LCD and play it. If there is no key pressed in 5s, the LCD will change back to display current playing channel information again.

- Category Selection

If the category setting is on, long press and hold the buttons over 2S to select previous/next category.

AS.PS (10)

- Direct Channel Tuning

Short press this button, "Select: - - -" will show on the display. Then, the first character will flash. Rotate the Volume knob to select number 0-9 and press it to enter then the second character flash. Use the same operation to select other character. After select the last number, press Volume knob to enter and play the desired channel.

- Channel Category Setting

Long press this button to enter category setting while "CAT" will show at the bottom left of the screen, when press again, the category setting will be off, and "CAT" will disappear.

BAND/SUB (3)

- Bank of presets Selection

In SiriusXM mode, short press this button to change the bank of presets. The current bank of presets will change in the following order: SXM1 – SXM2 – SXM3

- Reset

In SiriusXM mode, press and hold BAND and Enter button to reset the SiriusXM mode to the factory default setting. When finished the reset operation finished, the locked channel will be unlocked, the presets storing will be cleared, the parental control passcode will be restored default passcode, etc.

PRESET 1-6 (11/12/13/14/15/16)

- Store Preset Channel

Long press a PRESET button, the current channel will be stored, and the corresponding preset number will appear in the display. The PRESET buttons can be used to store 6 channels in each bank of presets (SXM1, SXM2, and SXM3) for convenient access to your favorite channels.

- Recall Preset Channel

To recall a preset channel, select a bank of channels (if needed).Short press a Preset button and the unit will turn to the corresponding stored channel.

SiriusXM OPERATION

SCAN/MENU (9)

- Channel scanning

Short press the button to scan all the channels. The unit will keep on scanning every 5 seconds per channel until you press the SCAN button again to stop scan function.

PARENTAL CONTROL

You can lock any SiriusXM channels you do not want others to have access without your permission. The default code is "5220". In case you forget your code please disconnect the unit completely from the power.

- GUIDE ON HOW TO ENTER THE CODE USING THE VOLUME BUTTON

When the first character is flashing, rotate the Volume knob to select number 5 and press it to enter then the second character flash. The same operation to select the rest character "2", "2", "0".When done, press Volume knob to confirm.

- TO LOCK A CHANNEL

Select a channel that you wish to lock then long press SCAN button—"Lock Channel" will show on the display. Enter the code then press Volume knob to confirm—"Channel Locked" will show on the display

- TO UNLOCK A CHANNEL

Select the channel that you wish to unlock then long press SCAN button—"Unlock Channel" will show on the display. Enter the code then press Volume knob to confirm—"Channel Unlocked" will show on the display

- TO CHANGE THE CODE

Press and hold BAND Button—"Old Code" will show on the display. Enter the old code then press Volume knob to confirm—"New Code" will show on the display. Enter your new code then press Volume knob again to confirm—"SetCode ok" will show on the display.

- LOCKED CHANNEL MANAGEMENT

When you want to browse all the locked channels, press and hold "Volume SEL" button and "1" button simultaneously to enter the locked channel browsing mode. You can browse the entire locked channel by rotating the Volume knob after entering the correct passcode. Select a locked channel and press Volume knob if you want to clear that locked channel, and if you want to clear all the locked channel, you just rotate the Volume knob until the advisory "CLEAR ALL LOCKED" display, then press the Enter button to execute. If you want to change the status of the mature channels, you just rotate the Volume knob until the advisory "lock/unlock Mature" display, then press the Enter button to switch.

Sirius, XM and all related marks and logos are trademarks of Sirius XM Radio Inc. All rights reserved.