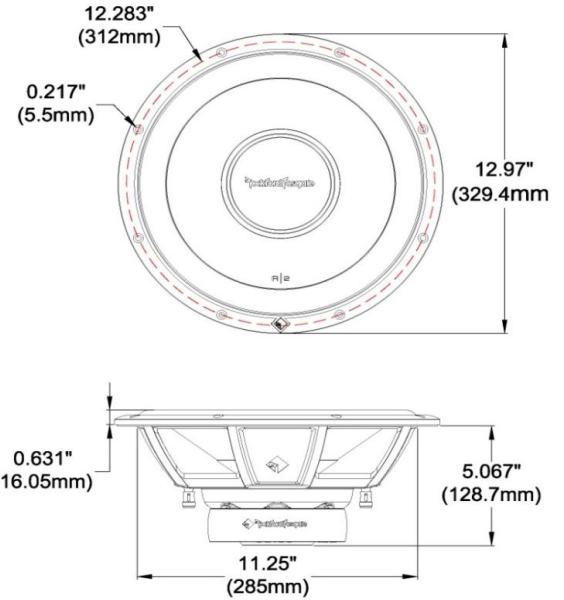


**Model:** R2D2-12

**Type:** DVC Subwoofer

**Power Rating:** 250 Watts (RMS)

**Impedance:** (2) 2 ohms



**Features**

- Injection molded polypropylene cone.
- Tear & fatigue resistant poly-cotton spider.
- High density compressed half-roll sealed poly-foam surround.
- High temp copper voice coil with aluminum former
- Optimized motor magnetics with extended pole and bumped vented backplate.
- Fatigue resistant and reduced strain "stitched on" flexible lead wire design.
- Multi-point high-temp/high-strength neck joint bonding technique.
- Heavy guage proprietary stamped steel frame
- Semi-flexible PVC removable protective motor cover.
- All metal compression input terminal assembly.

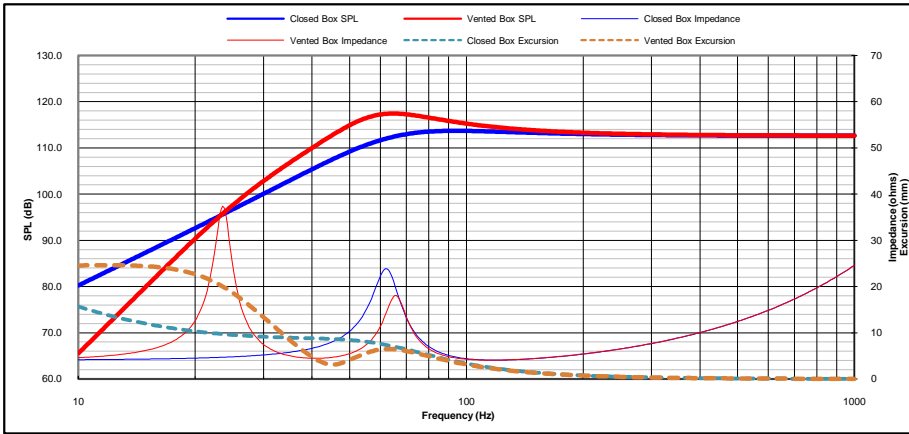
**Recommended Applications**

Enclosure	Volume (Vb)		Tuning(Fb)	System (Qtc)	-3dB (F3)	Port Dia.		Port Length	
	Liters	cu.ft.	Hz		Hz	in.	cm	in.	cm
Sealed:	28.9	1.02	51.1	0.94	51.4	-	-	-	-
Ported:	50.7	1.79	45.0	-	39.4	4.0	101.6	9.3	23.7

**Thiele-Small Specifications**

- Fs (Hz): 34.6
- Re (Ohms): 3.80
- Le (mH): 3.9
- Qts: 0.58
- Qes: 0.62
- Qms: 8.29
- Cms (mm/N): 0.16
- Vas (L): 66.4
- Mms (g): 131.2
- Mmd (g): 124.3
- Rms (kg/s): 3.5
- Airload (g): 6.9
- No (%): 0.42
- SPL (dB - 1W/1M): 88.7
- BL (T\*M): 13.2
- \*Xmax<sub>10</sub> (mm): 6.5
- Sd (cm<sup>2</sup>): 539.1
- EBP: 55.81
- Krm (mOhms): 0.53
- Erm: 0.77
- Kxm (mH): 9.9
- Exm: 0.83
- Rem (Ohms): 0.45

**SPL & Excursion (at 250 Watts) / Impedance (at 1 Watt)**



**Technical Specifications**

Voice Coil Diameter:	1.949	49.505	inches   mm
Voice Coil Height:	0.748	19.0	inches   mm
Voice Coil Layers:	4		layers
Magnetic Gap Height:	0.236	6.0	inches   mm
Linear Excursion, (Xmax):	0.256	6.5	inches   mm
Maximum Excursion (mech), pk-pk:	1.28	32.5	inches   mm
Magnet Weight:	47.7	1.35	oz.   kg
Woofers Displacement:	1.3	0.046	liters   cubic ft.
Net Weight:	8.5	3.9	lbs.   kg
Power Rating:	250	500	RMS   Peak

\* All parameters are derived using a laser velocity measurement method and verified with actual measured Mmd and Re. All dual voice coil models are wired in series. Xmax<sub>10</sub> represents actual effective excursion at <10% THD.

Above specifications and dimensions comply with the CEA-2031 standard.

Specifications subject to change without notice.