

**Model:** P1S8-8

**Type:** SVC Subwoofer

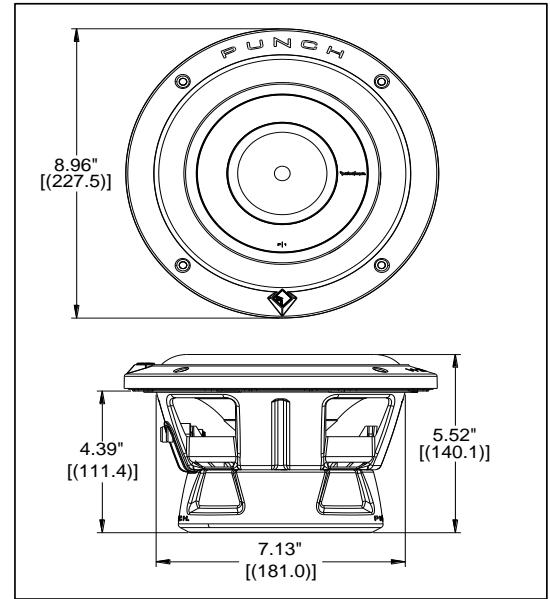
**Power Rating:** 200 Watts (RMS)

**Impedance:** 8 ohms



**Features**

- High modulus Kevlar™ re-inforced paper-pulp cone.
- Tear & fatigue resistant poly-cotton spider.
- High Density NBR (Nitrile Butadine Rubber) surround.
- High temp 2" voice coil with spun-laced Nomex™ insulating re-reinforcement collar.
- Optimized motor magnetics with extended pole and bumped vented backplate.
- Fatigue resistant and reduced strain "stitched on" flexible lead wire design.
- Proprietary spider venting/cooling technique
- Multi-point high-temp/high-strength neck joint bonding technique.
- Sturdy 16 guage compound bend frame geometry
- Heavy guage proprietary stamped steel frame
- Semi-flexible, PVC removable protective motor cover.
- Proprietary all metal, radially oriented compression input terminal assembly.
- Flex-fit™ Mounting pattern
- Soft-touch painted trim ring allows for optional integrated grill



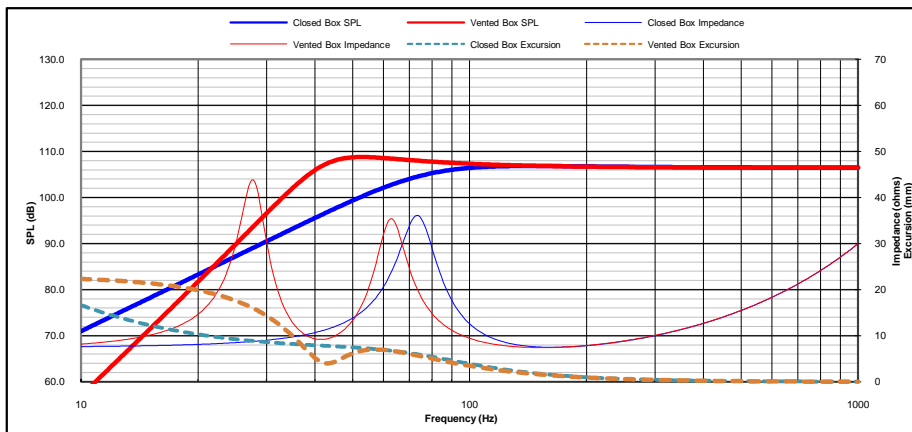
**Recommended Applications**

Enclosure	Volume (Vb)		Tuning(Fb)	System (Qtc)	-3dB (F3)	Port Dia.		Port Length	
	Liters	cu.ft.	Hz		Hz	in.	cm	in.	cm
Sealed:	6.5	0.23	66.1	0.80	66.6	-	-	-	-
Ported:	18.4	0.65	42.7	-	36.6	2.0	50.8	7.1	18.2

**Thiele-Small Specifications**

- Fs (Hz): 40.9
- Re (Ohms): 7.00
- Le (mH): 4.7
- Qts: 0.49
- Qes: 0.56
- Qms: 4.00
- Cms (mm/N): 0.19
- Vas (L): 12.0
- Mms (g): 79.8
- Mmd (g): 78.0
- Rms (kg/s): 5.1
- Airload (g): 1.8
- No (%): 0.13
- SPL (dB - 1W/1M): 83.5
- BL (T\*M): 16.0
- \*Xmax<sub>10</sub> (mm): 7.5
- Sd (cm<sup>2</sup>): 211
- EBP: 74
- Krm (mOhms): 0.37
- Erm: 1.35
- Kxm (mH): 43.8
- Exm: 0.77
- Rem (Ohms): 49.63

**SPL & Excursion (at 200 Watts) / Impedance (at 1 Watt)**



**Technical Specifications**

Voice Coil Diameter:	2.0	51.56	inches   mm
Voice Coil Height:	0.99	25.1	inches   mm
Voice Coil Layers:	4		layers
Magnetic Gap Height:	0.39	10.0	inches   mm
Linear Excursion, (Xmax):	0.30	7.6	inches   mm
Maximum Excursion (mech), pk-pk:	1.77	45.0	inches   mm
Magnet Weight:	38	1.06	oz.   kg
Woofers Displacement:	1.5	0.053	liters   cubic ft.
Net Weight:	3.91	1.8	lbs.   kg
Power Rating:	200	400	RMS   Peak

\* All parameters are derived using a laser velocity measurement method and verified with actual measured Mmd and Re. All dual voice coil models are wired in series. Xmax<sub>10</sub> represents actual effective excursion at <10% THD.