

Model: P1S4-8

Type: SVC Subwoofer

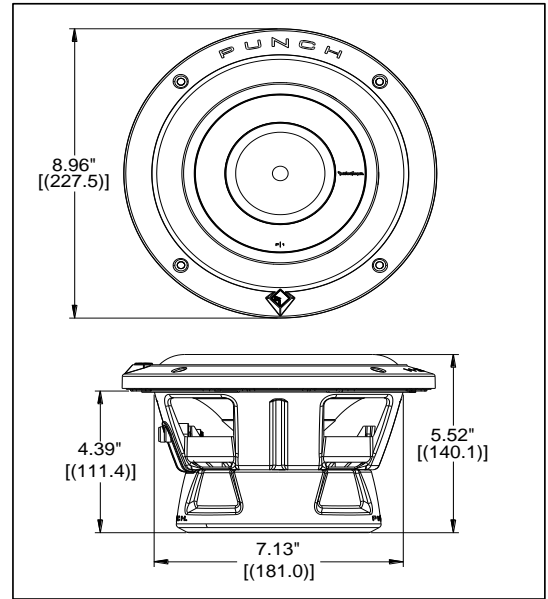
Power Rating: 200 Watts (RMS)

Impedance: 4 ohms



Features

- High modulus Kevlar™ re-inforced paper-pulp cone.
- Tear & fatigue resistant poly-cotton spider.
- High Density NBR (Nitrile Butadine Rubber) surround.
- High temp 2" voice coil with spun-laced Nomex™ insulating re-reinforcement collar.
- Optimized motor magnetics with extended pole and bumped vented backplate.
- Fatigue resistant and reduced strain "stitched on" flexible lead wire design.
- Proprietary spider venting/cooling technique
- Multi-point high-temp/high-strength neck joint bonding technique.
- Sturdy 16 guage compound bend frame geometry
- Heavy guage proprietary stamped steel frame
- Semi-flexible, PVC removable protective motor cover.
- Proprietary all metal, radially oriented compression input terminal assembly.
- Flex-fit™ Mounting pattern
- Soft-touch painted trim ring allows for optional integrated grill



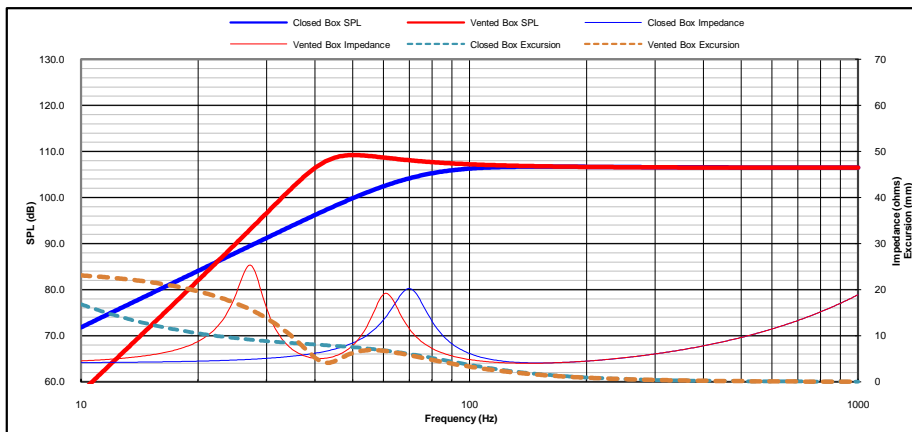
Recommended Applications

Enclosure	Volume (Vb)		Tuning(Fb)	System (Qtc)	-3dB (F3)	Port Dia.		Port Length	
	Liters	cu.ft.	Hz		Hz	in.	cm	in.	cm
Sealed:	6.5	0.23	65.5	0.77	65.5	-	-	-	-
Ported:	18.4	0.65	42.7	-	36.3	2.0	50.8	7.1	18.2

Thiele-Small Specifications

- Fs (Hz): 39.0
- Re (Ohms): 3.75
- Le (mH): 3.0
- Qts: 0.47
- Qes: 0.53
- Qms: 4.00
- Cms (mm/N): 0.19
- Vas (L): 12.0
- Mms (g): 87.7
- Mmd (g): 85.9
- Rms (kg/s): 5.4
- Airload (g): 1.8
- No (%): 0.13
- SPL (dB - 1W/1M): 83.5
- BL (T*M): 12.4
- *Xmax₁₀ (mm): 7.6
- Sd (cm²): 211
- EBP: 73.58
- Krm (mOhms): 0.30
- Erm: 1.32
- Kxm (mH): 27.6
- Exm: 0.77
- Rem (Ohms): 30.95

SPL & Excursion (at 200 Watts) / Impedance (at 1 Watt)



Technical Specifications

Voice Coil Diameter:	2.0	51.56	inches mm
Voice Coil Height:	0.96	24.4	inches mm
Voice Coil Layers:	4	layers	
Magnetic Gap Height:	0.39	9.9	inches mm
Linear Excursion, (Xmax):	0.29	7.2	inches mm
Maximum Excursion (mech), pk-pk:	1.80	45.7	inches mm
Magnet Weight:	38	1.06	oz. kg
Woofers Displacement:	1.5	0.053	liters cubic ft.
Net Weight:	3.91	1.8	lbs. kg
Power Rating:	200	400	RMS Peak

* All parameters are derived using a laser velocity measurement method and verified with actual measured Mmd and Re. All dual voice coil models are wired in series. Xmax₁₀ represents actual effective excursion at <10% THD.