

Model: P1S4-15

Type: SVC Subwoofer

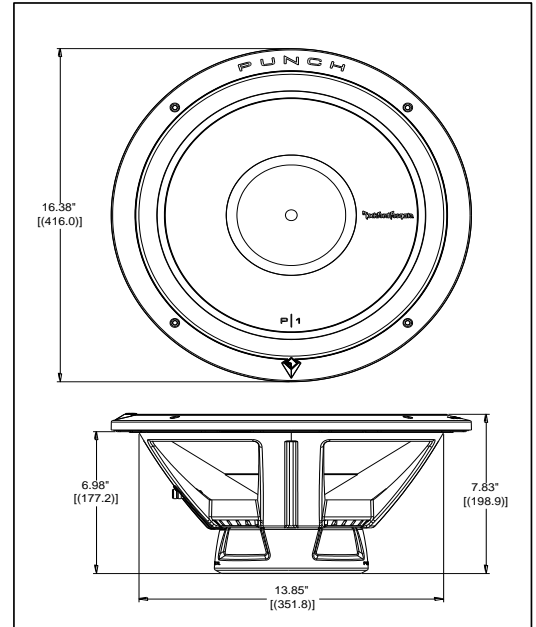
Power Rating: 250 Watts (RMS)

Impedance: 4 ohms



Features

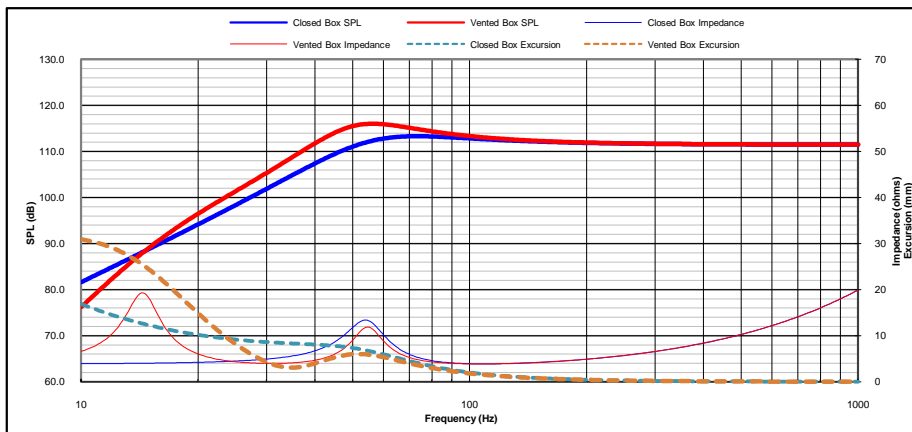
- High modulus Kevlar™ re-inforced paper-pulp cone.
- Tear & fatigue resistant poly-cotton spider.
- High Density NBR (Nitrile Butadine Rubber) surround.
- High temp 2" voice coil with spun-laced Nomex™ insulating re-reinforcement collar.
- Optimized motor magnetics with extended pole and bumped vented backplate.
- Fatigue resistant and reduced strain "stitched on" flexible lead wire design.
- Proprietary spider venting/cooling technique
- Multi-point high-temp/high-strength neck joint bonding technique.
- Sturdy 16 guage compound bend frame geometry
- Heavy guage proprietary stamped steel frame
- Semi-flexible, PVC removable protective motor cover.
- Proprietary all metal, radially oriented compression input terminal assembly.
- Flex-fit™ Mounting pattern
- Soft-touch painted trim ring allows for optional integrated grill



Recommended Applications

Enclosure	Volume (Vb)		Tuning(Fb)	System (Qtc)	-3dB (F3)	Port Dia.		Port Length	
	Liters	cu.ft.	Hz		Hz	in.	cm	in.	cm
Sealed:	44.7	1.58	42.1	1.06	42.4	-	-	-	-
Ported:	75.3	2.66	34.4	-	34.5	4.0	101.6	10.8	27.3

SPL & Excursion (at 250 Watts) / Impedance (at 1 Watt)



Thiele-Small Specifications

- Fs (Hz): 23.0
- Re (Ohms): 3.60
- Le (mH): 3.1
- Qts: 0.52
- Qes: 0.62
- Qms: 3.20
- Cms (mm/N): 0.18
- Vas (L): 191.5
- Mms (g): 272.4
- Mmd (g): 257.5
- Rms (kg/s): 12.3
- Airload (g): 14.9
- No (%): 0.34
- SPL (dB - 1W/1M): 87.5
- BL (T*M): 15.1
- *Xmax₁₀ (mm): 9.4
- Sd (cm²): 876
- EBP: 37
- Krm (mOhms): 0.59
- Erm: 1.24
- Kxm (mH): 25.5
- Exm: 0.79
- Rem (Ohms): 30.24

* All parameters are derived using a laser velocity measurement method and verified with actual measured Mmd and Re. All dual voice coil models are wired in series. Xmax₁₀ represents actual effective excursion at <10% THD.

Technical Specifications

Voice Coil Diameter:	2.0	51.56	inches mm
Voice Coil Height:	1.10	28.0	inches mm
Voice Coil Layers:	4	layers	
Magnetic Gap Height:	0.39	10.0	inches mm
Linear Excursion, (Xmax):	0.35	9.0	inches mm
Maximum Excursion (mech), pk-pk:	2.13	54.1	inches mm
Magnet Weight:	60	1.70	oz. kg
Woofers Displacement:	5.4	0.191	liters cubic ft.
Net Weight:	13.6	6.2	lbs. kg
Power Rating:	250	500	RMS Peak