

Model: P1S4-10

Type: SVC Subwoofer

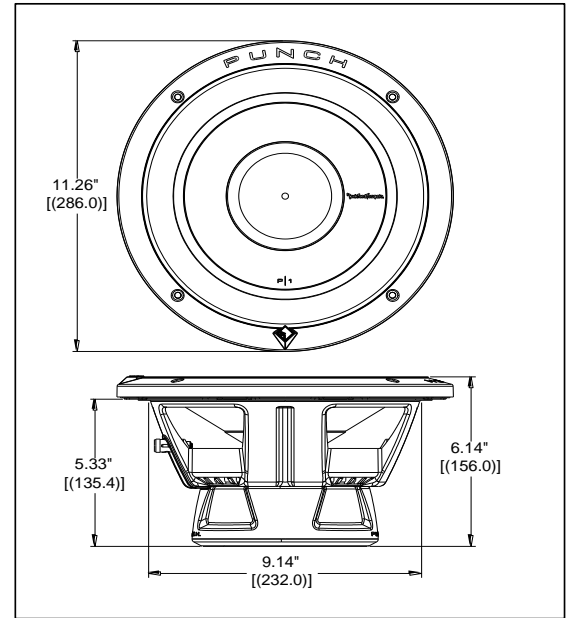
Power Rating: 250 Watts (RMS)

Impedance: 4 ohms



Features

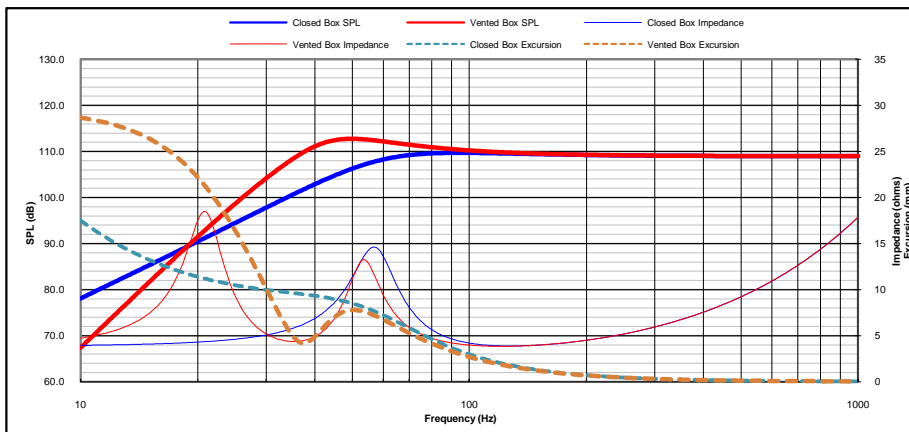
- High modulus Kevlar™ re-inforced paper-pulp cone.
- Tear & fatigue resistant poly-cotton spider.
- High Density NBR (Nitrile Butadine Rubber) surround.
- High temp 2" voice coil with spun-laced Nomex™ insulating re-reinforcement collar.
- Optimized motor magnetics with extended pole and bumped vented backplate.
- Fatigue resistant and reduced strain "stitched on" flexible lead wire design.
- Proprietary spider venting/cooling technique
- Multi-point high-temp/high-strength neck joint bonding technique.
- Sturdy 16 guage compound bend frame geometry
- Heavy guage proprietary stamped steel frame
- Semi-flexible, PVC removable protective motor cover.
- Proprietary all metal, radially oriented compression input terminal assembly.
- Flex-fit™ Mounting pattern
- Soft-touch painted trim ring allows for optional integrated grill



Recommended Applications

Enclosure	Volume (Vb)		Tuning(Fb)	System (Qtc)	-3dB (F3)	Port Dia.		Port Length	
	Liters	cu.ft.	Hz		Hz	in.	cm	in.	cm
Sealed:	16.7	0.59	48.8	0.87	48.9	-	-	-	-
Ported:	39.6	1.40	37.3	-	32.0	3.0	76.2	9.8	24.9

SPL & Excursion (at 250 Watts) / Impedance (at 1 Watt)



Thiele-Small Specifications

- Fs (Hz): 30.0
- Re (Ohms): 3.60
- Le (mH): 2.8
- Qts: 0.51
- Qes: 0.61
- Qms: 3.00
- Cms (mm/N): 0.21
- Vas (L): 40.0
- Mms (g): 136.6
- Mmd (g): 132.5
- Rms (kg/s): 8.6
- Airload (g): 4.1
- No (%): 0.19
- SPL (dB - 1W/1M): 85.0
- BL (T*M): 12.3
- *Xmax₁₀ (mm): 9.4
- Sd (cm²): 370
- EBP: 49
- Krm (mOhms): 0.29
- Erm: 1.32
- Kxm (mH): 24.9
- Exm: 0.78
- Rem (Ohms): 29.92

* All parameters are derived using a laser velocity measurement method and verified with actual measured Mmd and Re. All dual voice coil models are wired in series. Xmax₁₀ represents actual effective excursion at <10% THD.

Technical Specifications

Voice Coil Diameter:	2.0	51.56	inches mm
Voice Coil Height:	1.10	27.9	inches mm
Voice Coil Layers:	4		layers
Magnetic Gap Height:	0.39	10.0	inches mm
Linear Excursion, (Xmax):	0.35	9.0	inches mm
Maximum Excursion (mech), pk-pk:	2.05	52.0	inches mm
Magnet Weight:	45	1.28	oz. kg
Woofers Displacement:	2.4	0.085	liters cubic ft.
Net Weight:	9.7	4.4	lbs. kg
Power Rating:	250	500	RMS Peak

Above specifications and dimensions comply with the CEA-2031 standard.

Specifications subject to change without notice.