

R300-10
R300-12

10" 300 Watt Powered Subwoofer
12" 300 Watt Powered Subwoofer

Installation
Reference
Sheet



R300-10



R300-12



Features

General Features

- Optimized "closed-loop" design
- Precision constructed MDF enclosure for superior rigidity and dampening
- Remote bass level control included

Woofers Features

- 10" High output woofer (R300-10)
- 12" High output woofer (R300-12)
(application specific/optimized)

Amplifier Features

- 300 Watt RMS Class D topology
- High-efficiency, low current design
- Thermal and over voltage protection
- Built-in adjustable 45Hz bass boost EQ
- Intelligent auto turn on/off function
- Robust Power/Ground connections
- Adjustable 12db/Octave low pass crossover
- Separate low level and speaker level inputs
(harness included)
- 0°/180° phase switch

Specifications

System Specifications

Frequency Response28Hz-90Hz
Power Rating (RMS/MAX)300W/600W
Enclosure Type2nd Order Sealed

R300-10 Enclosure..... 36.8 Liters (1.3 cuft.)
R300-10 Dimensions (HxWxD)..... 13.3"x18.38"x9.37"
R300-10 Net Weight 21.9 Lbs. (9.93 Kg)

R300-12 Enclosure..... 56 Liters (2.0 cuft.)
R300-12 Dimensions (HxWxD).... 14.96"x20.35"x11.50"
R300-12 Net Weight 25.4 Lbs. (11.52 Kg)

Replacement Parts

Hi-Level Input Harness 1130-55119-01

Woofers Specifications R300-10....R300-12

Fs..... 36Hz..... 33Hz
Re.....0.36Ω..... 0.42Ω
SPL (dB - 1W/1M).....84.5dB.....84.5dB

Amplifier Specifications

Input Sensitivity 100mV-3VRMS
Input Impedance..... 20kΩ
12dB/octave Crossover 35Hz-150Hz
Bass Boost0dB to +12dB @ 45Hz
THD <1.0%
S/N Ratio.....88.2dB
Fuse Rating30A ATC
Power Input.....Up to 10 AWG
Topology..... BTL Class D



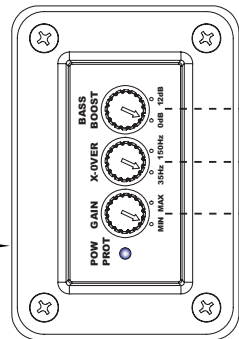
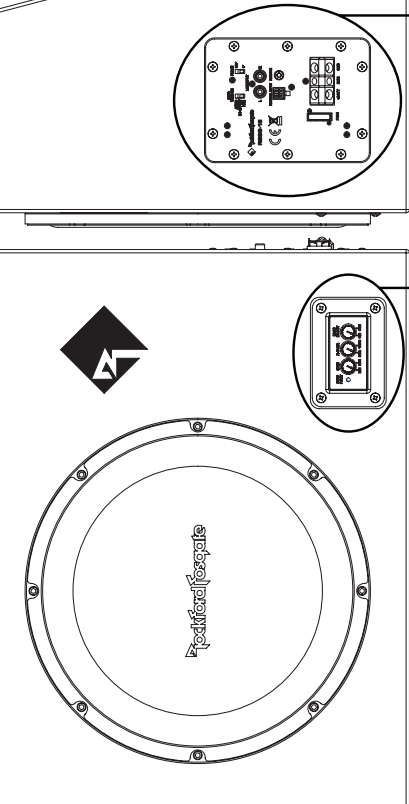
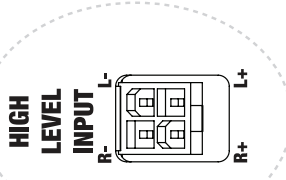
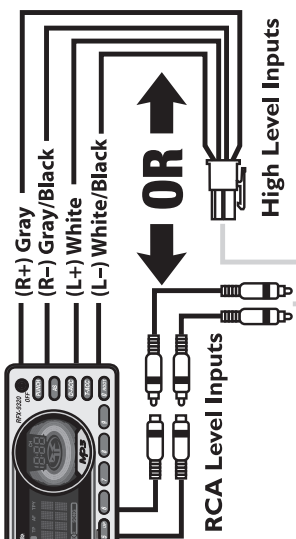
Specifications subject to change without notice.

Source Unit

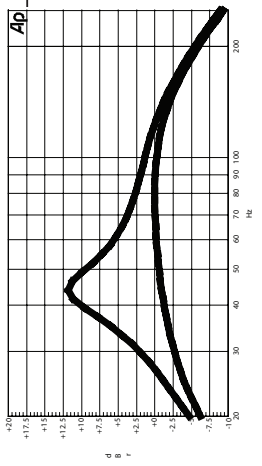
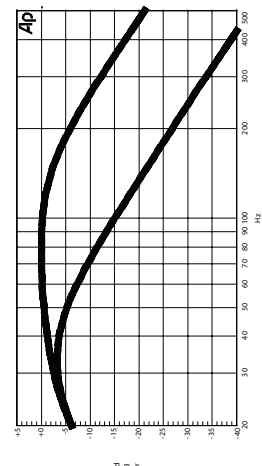
Raccorder au fil du jack accessoire de l'unité source ou passer à la source 12 V Am Zuhörkabel des Source-Geräts anschließen oder die 12-Volt-Quelle wechseln.

Collegare al cavo di tensione accessorio dell'unità di fonte o alla fonte commutata a 12 volt Conecte al conector accessorio de la fuente o a una fuente de 12 volt con interruptor

Connect to Source unit's accessory lead or switched 12v source

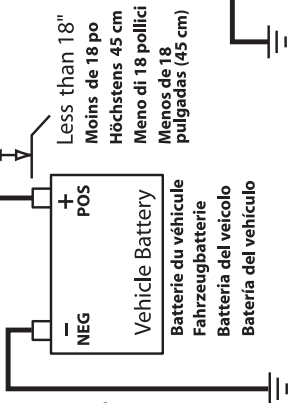
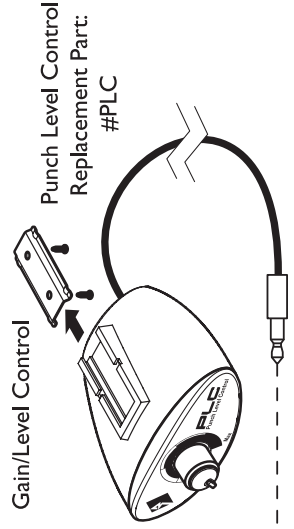
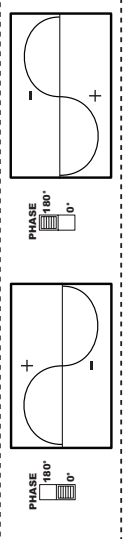


Refer to Knowledge Base Answer ID #46 (Gain Tutorial) www.rockfordfosgate.com/rftch



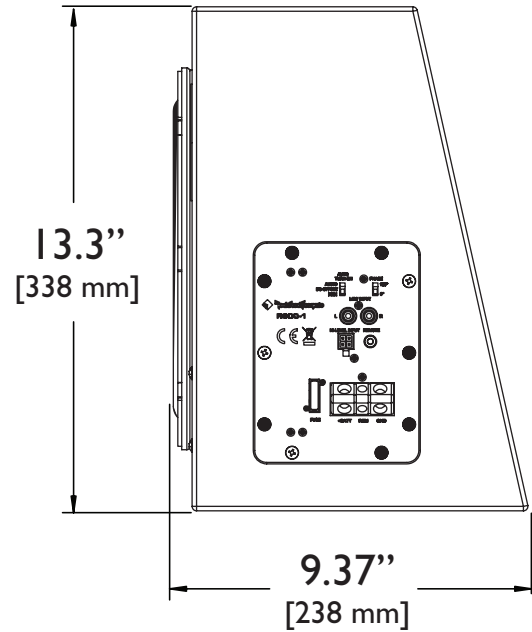
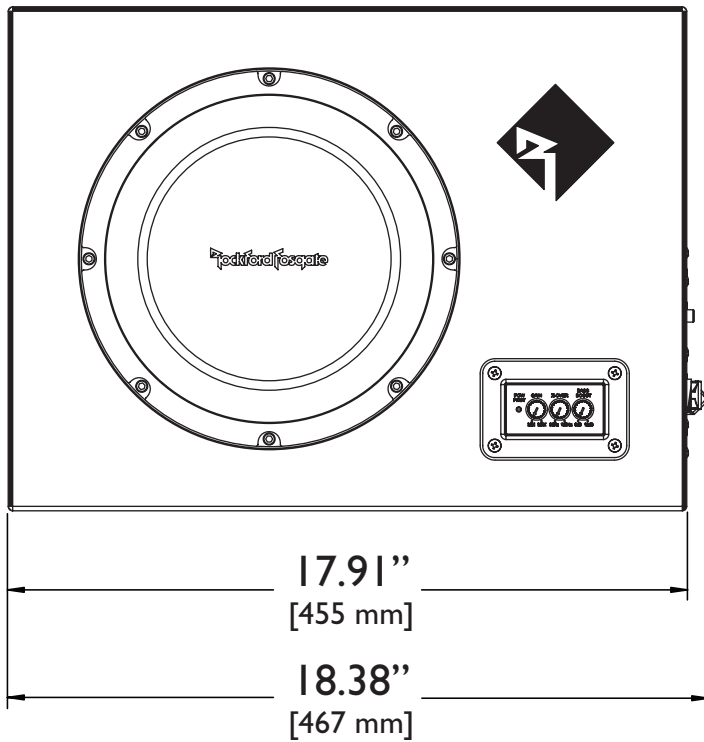
- *Keep Grounds as short as possible
- *Garder les fils de masse aussi courts que possible
- *Die Erdungskabel so kurz wie möglich halten
- *Tenere i fili di terra il più corto possibile
- *Mantenga las conexiones a tierra lo más cortas posibles

AUTO TURN ON	REIN	LOW INPUT	HI-LEVEL INPUT	NOTES
AUDIO DC OFFSET REIN	✓	✓	✓	Requires 4mV signal Requiere 4mV Señal Borodóg 4mV Señal Requiere 4mV Señal
AUDIO DC OFFSET REIN	✗	✗	✓	Needs 6V DC on battery (vehicle wire) Requiere 6V DC en la batería (cable del vehículo) Necesita 6V DC am Wire La batería del vehículo Requiere 6V DC en la batería (cable del vehículo)
AUDIO DC OFFSET REIN	✓	✓	✓	Use Hi-Level (or Low-Level) Input Utilizar Nivel o a Basse Niveau d'Entrée Hípo-Nivel-oder Low-Level-Eingang Hípo-Nivel-oder Basse Niveau de Entrada

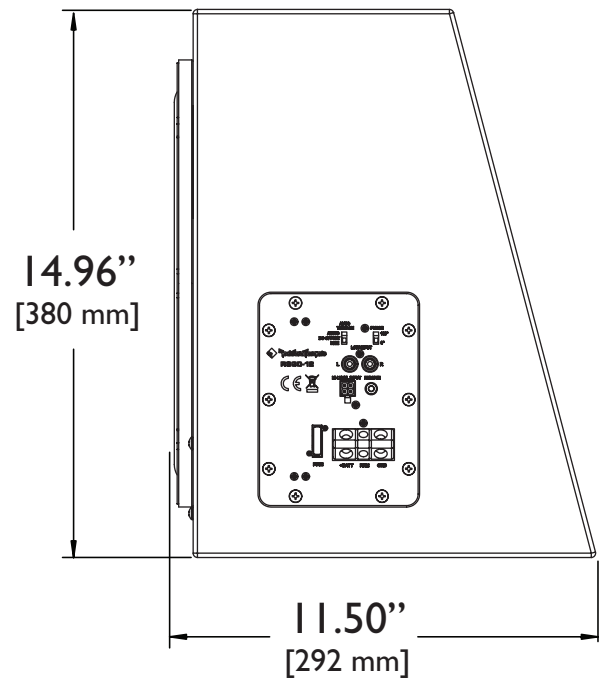
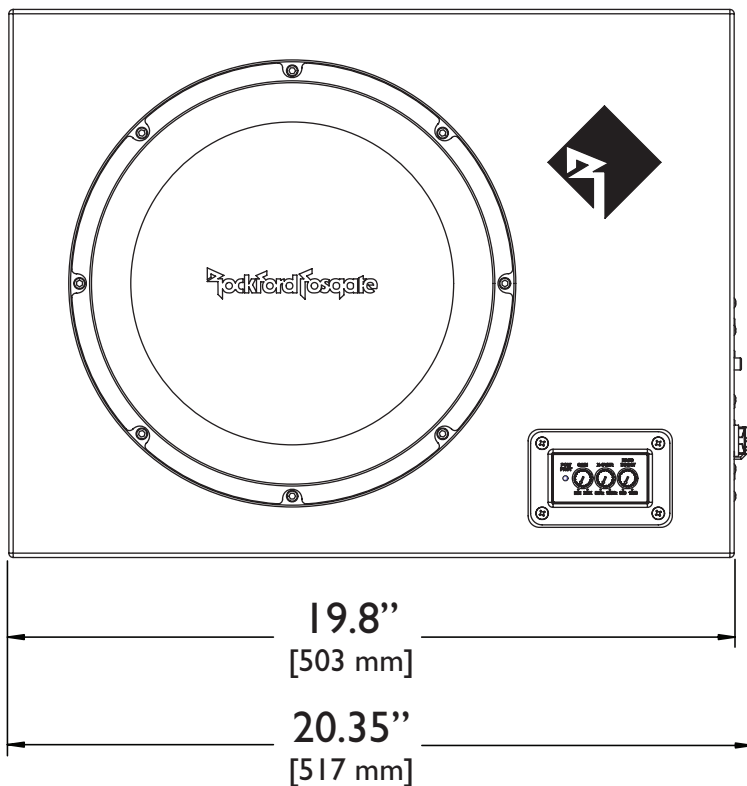


Connect to chassis ground of vehicle*
Brancher sur la masse du véhicule*
Am Fahrgestellerdungskabel anschließen*
Collegare alla terra del telaio del veicolo*
Conecte a la masa del vehículo*

R300-10



R300-12



Warranty

Rockford Corporation offers a limited warranty on Rockford Fosgate products on the following terms:

Length of Warranty

- Enclosures – 1 Year (receipt required).
- Any Factory Refurbished Product – 90 days (receipt required)

What is Covered

This warranty applies only to Rockford Fosgate products sold to consumers by Authorized Rockford Fosgate Dealers in the United States of America or its possessions. Product purchased by consumers from an Authorized Rockford Fosgate Dealer in another country are covered only by that country's Distributor and not by Rockford Corporation.

Who is Covered

This warranty covers only the original purchaser of Rockford product purchased from an Authorized Rockford Fosgate Dealer in the United States. In order to receive service, the purchaser must provide Rockford with a copy of the receipt stating the customer name, dealer name, product purchased and date of purchase. Products found to be defective during the warranty period will be repaired or replaced (with a product deemed to be equivalent) at Rockford's discretion.

What is Not Covered

1. Damage caused by accident, abuse, improper operations, water, theft, shipping
2. Any cost or expense related to the removal or reinstallation of product
3. Service performed by anyone other than Rockford or an Authorized Rockford Fosgate Service Center
4. Any product which has had the serial number defaced, altered, or removed
5. Subsequent damage to other components
6. Any product purchased outside the U.S.
7. Any product not purchased from an Authorized Rockford Fosgate Dealer

Limit on Implied Warranties

Any implied warranties including warranties of fitness for use and merchantability are limited in duration to the period of the express warranty set forth above. Some states do not allow limitations on the length of an implied warranty, so this limitation may not apply. No person is authorized to assume for Rockford Fosgate any other liability in connection with the sale of the product.

How to Obtain Service

Contact the Authorized Rockford Fosgate Dealer you purchased this product from. If you need further assistance, call 1-800-669-9899 for Rockford Customer Service. You must obtain an RA# (Return Authorization number) to return any product to Rockford Fosgate. You are responsible for shipment of product to Rockford.

EU Warranty

This product meets the current EU warranty requirements, see your Authorized dealer for details.



Rockford Fosgate
600 South Rockford Drive
Tempe, Arizona 85281 U.S.A.
In U.S.A., (480) 967-3565 - Customer Service 1-800-669-9899
www.rockfordfosgate.com



© 2010 Rockford Corporation. All rights reserved.
Rockford Fosgate® and the Rockford Fosgate® "Diamond R" are
registered trademarks of Rockford Corporation.

