



Model: T2D415

Type: Power T2 DVC Subwoofer

Power Rating: 1200 Watts (RMS)

Impedance: Dual 4 Ohm

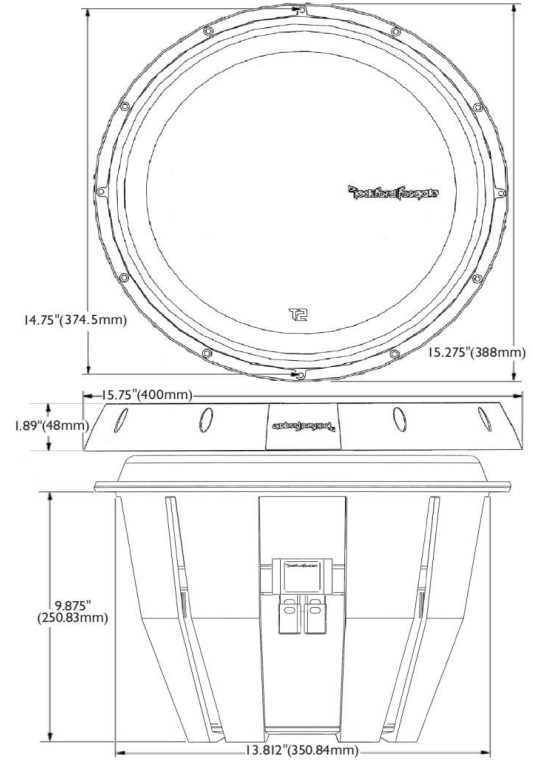


Technical Highlights

- Precision cast and vented aluminum alloy basket
- Removable and reversible screw concealing trim ring
- Custom insulated/isolated compression terminals
- Parabolic triangular cone geometry support system
- High excursion Thermo-Rubber surround
- Mirror image symmetrical spiders with embedded 12AWG tinsel leads
- Ultra-high temp anodized aluminum former
- Flat edge wound copper clad aluminum VC
- IDHS™ Inductive Damping Heat Sink
- Spun-laced Nomex collar
- Hard anodized aluminum dustcap and cone
- Rigid die-cast aluminum frame with optimized pole and spider venting
- Optimized for both sealed and ported enclosures

Recommended Applications

Enclosure	Volume (Vb)		Tuning(Fb)	System (Qtc)	-3dB (F3)	Port Dia.		Port Length	
	Liters	cu.ft.	Hz		Hz	in.	mm	in.	mm
Sealed:	56.6	2.00	38.4	0.81	38.7	-	-	-	-
Ported:	77.9	2.75	39.0	-	30.8	6	152.4	17.0	431.8

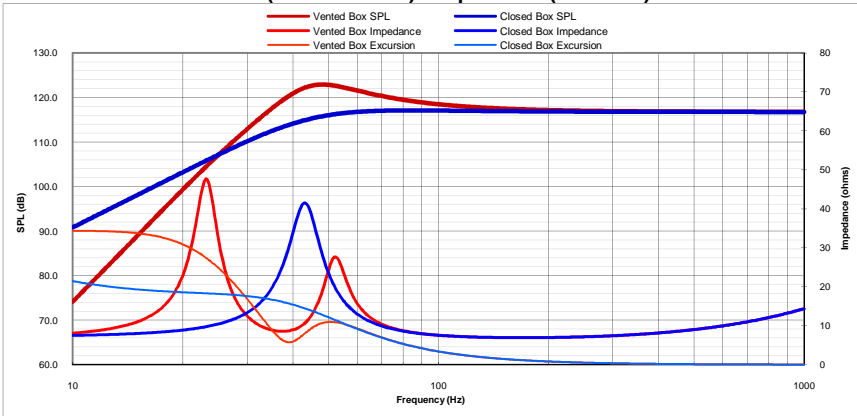


Thiele-Small Specifications

- Fs (Hz): 31
- Re (Ohms): 6.8
- Le (mH): 2.06
- Qts: 0.62
- Qes: 0.69
- Qms: 5.49
- Cms (mm/N): 0.065
- Vas (L): 51.6
- Mms (g): 405.7
- Mmd (g): 393.9
- Rms (kg/s): 14.4
- Airload (g): 11.8
- No (%): 0.24
- SPL (dB - 1W/1M): 86
- BL (T*M): 27.9
- *Xmax₁₀ (mm): 22.38
- Sd (cm²): 750
- EBP: 44.928
- Krm (mOhms): 1.11
- Errm: 1.25
- Kxm (mH): 39
- Exm: 0.84
- Rem (Ohms): 62.1

* All parameters are derived using a laser velocity measurement method and verified with actual measured Mmd and Re. All dual voice coil models are wired in series. Xmax₁₀ represents actual effective excursion at <10% THD.

SPL (at 1200 Watts) / Impedance (at 1 Watt)



Technical Specifications

Voice Coil Diameter:	3.9646	100.7	inches mm
Voice Coil Height:	2.0	50.0	inches mm
Voice Coil Layers:	4		layers
Magnetic Gap Height:	0.50	12.7	inches mm
Linear Excursion, pk-pk (Xmax):	1.25	31.6	inches mm
Maximum Excursion, pk-pk:	1.76	44.8	inches mm
Magnet Weight:	304.00	8.62	oz. kg
Woofer Displacement:	4.98	0.176	liters cubic ft.
Net Weight:	53.00	24.0	lbs. kg
Power Rating:	1200	2400	RMS Peak

Above specifications and dimensions comply with the CEA-2031 standard.

Specifications subject to change without notice.