



**Model:** T2D215

**Type:** Power T2 DVC Subwoofer

**Power Rating:** 1200 Watts (RMS)

**Impedance:** Dual 2 Ohm

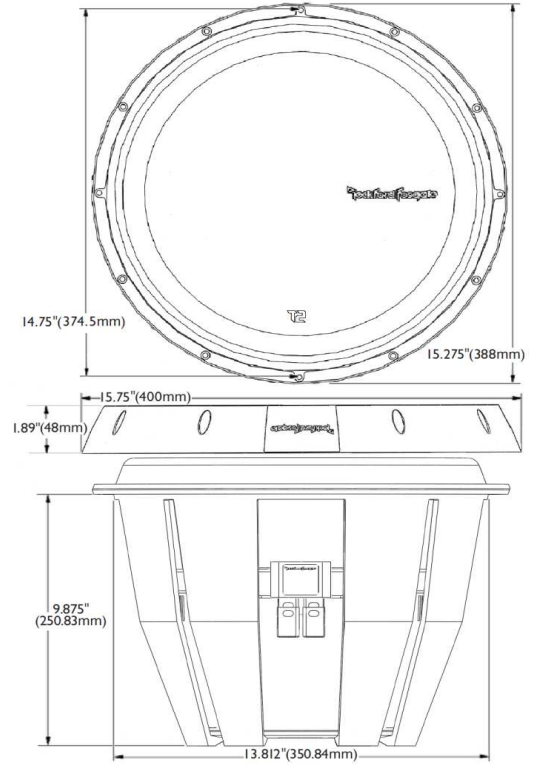


**Technical Highlights**

- Precision cast and vented aluminum alloy basket
- Removable and reversible screw concealing trim ring
- Custom insulated/isolated compression terminals
- Parabolic triangular cone geometry support system
- High excursion Thermo-Rubber surround
- Mirror image symmetrical spiders with embedded 12AWG tinsel leads
- Ultra-high temp anodized aluminum former
- Flat edge wound copper clad aluminum VC
- IDHS™ Inductive Damping Heat Sink
- Spun-laced Nomex collar
- Hard anodized aluminum dustcap and cone
- Rigid die-cast aluminum frame with optimized pole and spider venting
- Optimized for both sealed and ported enclosures

**Recommended Applications**

Enclosure	Volume (Vb)		Tuning(Fb)	System (Qtc)	-3dB (F3)	Port Dia.		Port Length	
	Liters	cu.ft.	Hz		Hz	in.	mm	in.	mm
Sealed:	56.6	2.00	44.1	0.68	44.4	-	-	-	-
Ported:	77.9	2.75	39.0	-	31.5	6	152.4	17.0	431.8

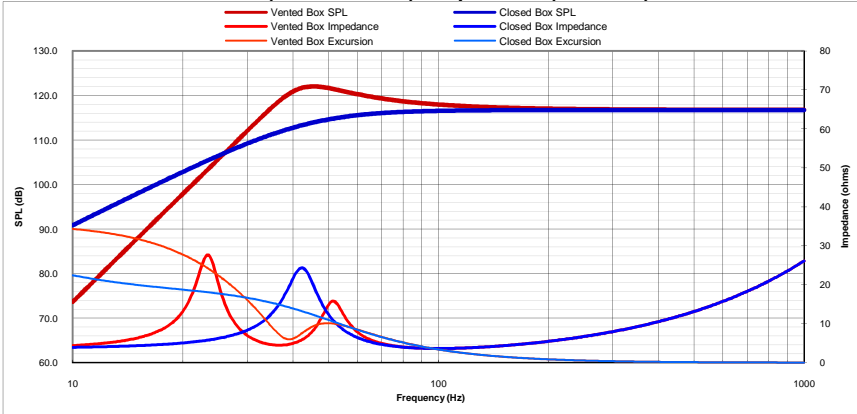


**Thiele-Small Specifications**

- Fs (Hz): 31
- Re (Ohms): 3.4
- Le (mH): 4.15
- Qts: 0.52
- Qes: 0.58
- Qms: 5.29
- Cms (mm/N): 0.061
- Vas (L): 48.4
- Mms (g): 426.7
- Mmd (g): 414.9
- Rms (kg/s): 15.7
- Airload (g): 11.8
- No (%): 0.25
- SPL (dB - 1W/1M): 86
- BL (T\*M): 22.3
- \*Xmax<sub>10</sub> (mm): 22.08
- Sd (cm<sup>2</sup>): 750
- EBP: 53.448
- Krm (mOhms): 1.05
- Errm: 1.2
- Kxm (mH): 27
- Exm: 0.82
- Rem (Ohms): 37.9

\* All parameters are derived using a laser velocity measurement method and verified with actual measured Mmd and Re. All dual voice coil models are wired in series. Xmax<sub>10</sub> represents actual effective excursion at <10% THD.

**SPL (at 1200 Watts) / Impedance (at 1 Watt)**



**Technical Specifications**

Voice Coil Diameter:	3.9646	100.7	inches   mm
Voice Coil Height:	1.95	49.5	inches   mm
Voice Coil Layers:	4		layers
Magnetic Gap Height:	0.50	12.7	inches   mm
Linear Excursion, pk-pk (Xmax):	1.23	31.2	inches   mm
Maximum Excursion, pk-pk:	1.74	44.2	inches   mm
Magnet Weight:	304.00	8.62	oz.   kg
Woofer Displacement:	4.98	0.176	liters   cubic ft.
Net Weight:	53.00	24.0	lbs.   kg
Power Rating:	1200	2400	RMS   Peak

Above specifications and dimensions comply with the CEA-2031 standard.

Specifications subject to change without notice.