



Model: T2D212

Type: Power T2 DVC Subwoofer

Power Rating: 1200 Watts (RMS)

Impedance: Dual 2 Ohm

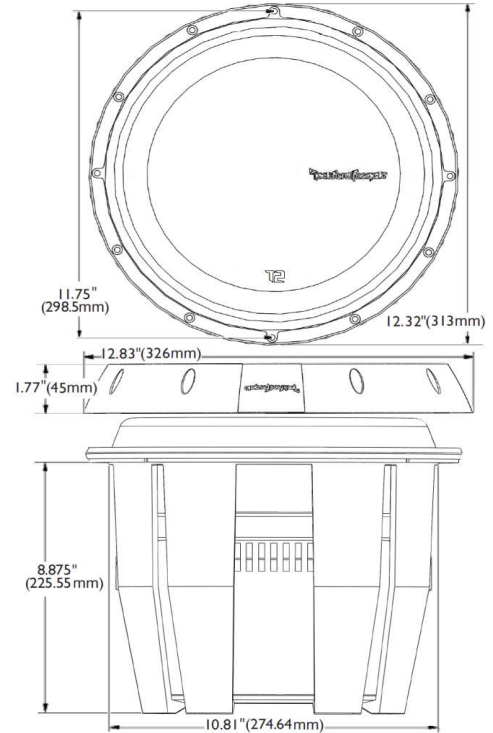


Technical Highlights

- Precision cast and vented aluminum alloy basket
- Removable and reversible screw concealing trim ring
- Custom insulated/isolated compression terminals
- Parabolic triangular cone geometry support system
- High excursion Thermo-Rubber surround
- Mirror image symmetrical spiders with embedded 12AWG tinsel leads
- Ultra-high temp anodized aluminum former
- Flat edge wound copper clad aluminum VC
- IDHS™ Inductive Damping Heat Sink
- Spun-laced Nomex collar
- Hard anodized aluminum dustcap and cone
- Rigid die-cast aluminum frame with optimized pole and spider venting
- Optimized for both sealed and ported enclosures

Recommended Applications

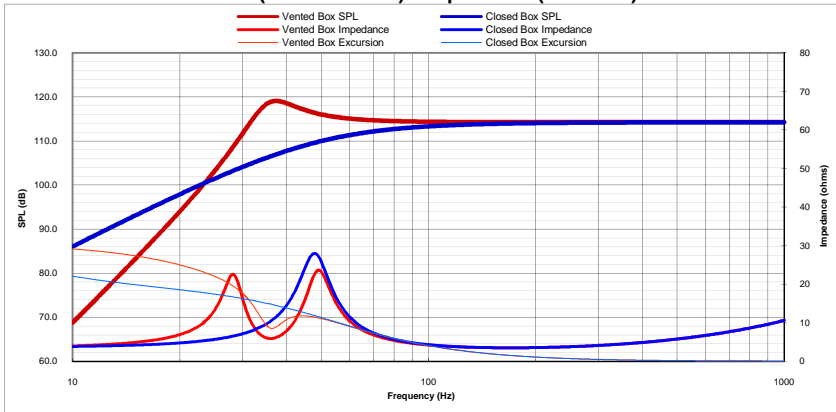
Enclosure	Volume (Vb)		Tuning(Fb)	System (Qtc)	-3dB (F3)	Port Dia.		Port Length	
	Liters	cu.ft.	Hz		Hz	in.	mm	in.	mm
Sealed:	28.3	1.00	58.6	0.58	59.1	-	-	-	-
Ported:	56.6	2.00	36.0	-	29.8	4	101.6	12.0	304.8



Thiele-Small Specifications

- Fs (Hz): 38.7
- Re (Ohms): 3.4
- Le (mH): 1.64
- Qts: 0.49
- Qes: 0.54
- Qms: 5.15
- Cms (mm/N): 0.052
- Vas (L): 13.6
- Mms (g): 325.5
- Mmd (g): 320.4
- Rms (kg/s): 15.4
- Airload (g): 5.1
- No (%): 0.13
- SPL (dB - 1W/1M): 83.5
- BL (T*M): 22.3
- *Xmax₁₀ (mm): 22.32
- Sd (cm²): 430
- EBP: 71.667
- Krm (mOhms): 72.21
- Erm: 0.63
- Kxm (mH): 398
- Exm: 0.38
- Rem (Ohms): 17.8

SPL (at 1200 Watts) / Impedance (at 1 Watt)



Technical Specifications

Voice Coil Diameter:	3.9646	100.7	inches mm
Voice Coil Height:	1.96	49.9	inches mm
Voice Coil Layers:	4		layers
Magnetic Gap Height:	0.50	12.7	inches mm
Linear Excursion, pk-pk (Xmax):	1.24	31.6	inches mm
Maximum Excursion, pk-pk:	1.76	44.6	inches mm
Magnet Weight:	292.00	8.28	oz. kg
Woofer Displacement:	4.28	0.151	liters cubic ft.
Net Weight:	51.00	23.1	lbs. kg
Power Rating:	1200	2400	RMS Peak

* All parameters are derived using a laser velocity measurement method and verified with actual measured Mmd and Re. All dual voice coil models are wired in series. Xmax₁₀ represents actual effective excursion at <10% THD.