

Model: R142

Type: Prime 4" 2-way Coaxial

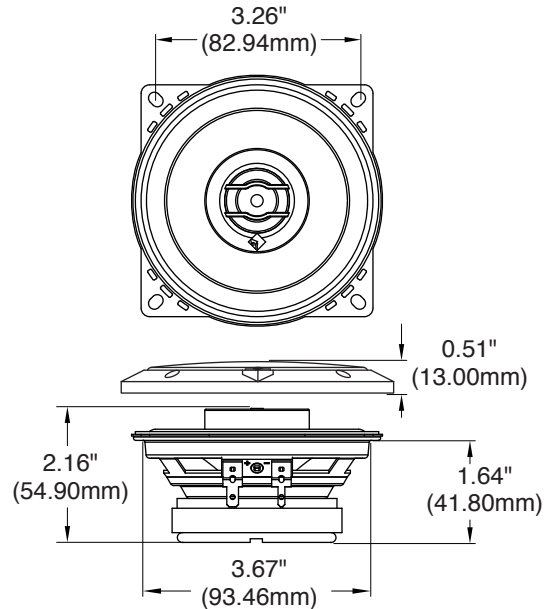
Power Rating: 25 Watts (RMS)

Impedance: 4 ohms

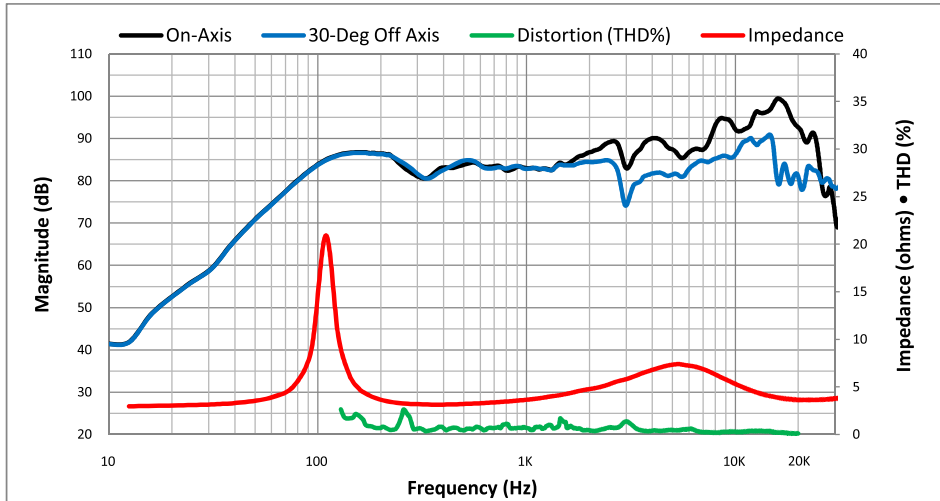
Freq. Response: 100 - 22K

Technical Highlights

- Mica injected polypropylene cone with foam surround
- .5" (13mm) Balanced dome mylar tweeter
- Cold rolled steel frame
- Grilles and mounting hardware included



SPL (1W1M) • Impedance



Frequency response includes summed Far-Field and Near-Field IEC60268-5 baffle measurements.

Technical Specifications

Voice Coil Diameter:	1.0	25.4	inches mm
Voice Coil Height:	0.22	5.7	inches mm
Voice Coil Layers:	2		layers
Magnetic Gap Height:	0.14	3.5	inches mm
Linear Excursion, pk-pk (Xmax):	0.10	2.5	inches mm
Maximum Excursion, pk-pk:	0.14	3.6	inches mm
Magnet Weight:	5.5	0.16	oz. kg
Woofer Displacement:	0.16	0.01	liters cubic ft.
Net Weight:	2.1	1.0	lbs. kg
Power Rating:	25	50	RMS Peak

Thiele-Small Specifications

- Fs (Hz): 110
- Re (Ohms): 3.0
- Le (mH): 0.20
- Qts: 1.07
- Qes: 1.23
- Qms: 8.19
- Cms (mm/N): .334
- Vas (L): 1.48
- Mms (g): 5.9
- Mmd (g): 5.7
- Rms (kg/s): 0.51
- Airload (g): 0.24
- No (%): 0.17
- SPL (dB - 1W/1M): 85.5
- BL (T*M): 3.0
- *Xmax₁₀ (mm): 1.9
- Sd (cm²): 56
- EBP: 89.504
- Krm (mOhms): 0.0787
- Erm: 0.09
- Kxm (mH): 0.0023
- Exm: 0.69
- Rem (Ohms): 0.0002

* All parameters are derived using a laser velocity measurement method and verified with actual measured Mmd and Re. Xmax₁₀ represents actual effective excursion at <10% THD.

Specifications subject to change without notice.