



Model: T1652-S

Type: Power 6.5" 2-way componet system

Power Rating: 100 Watts (RMS)

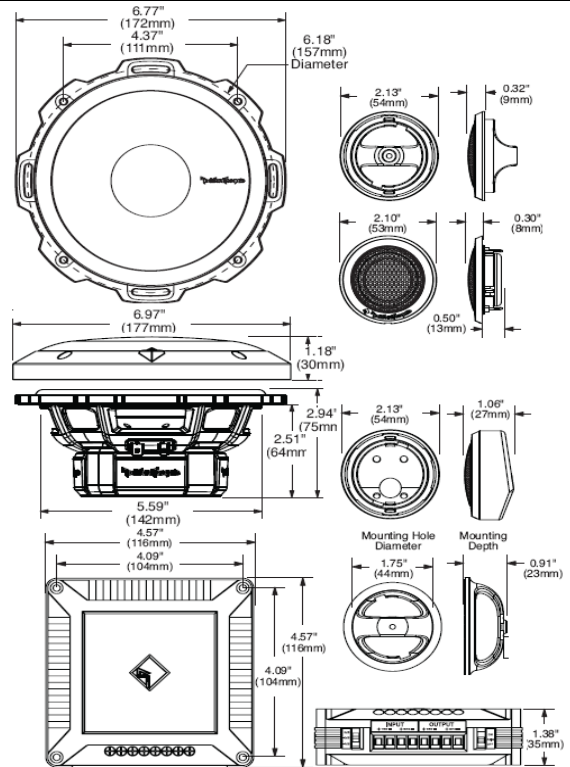
Impedance: 4 ohms

Freq. Response: 55 - 22kHz

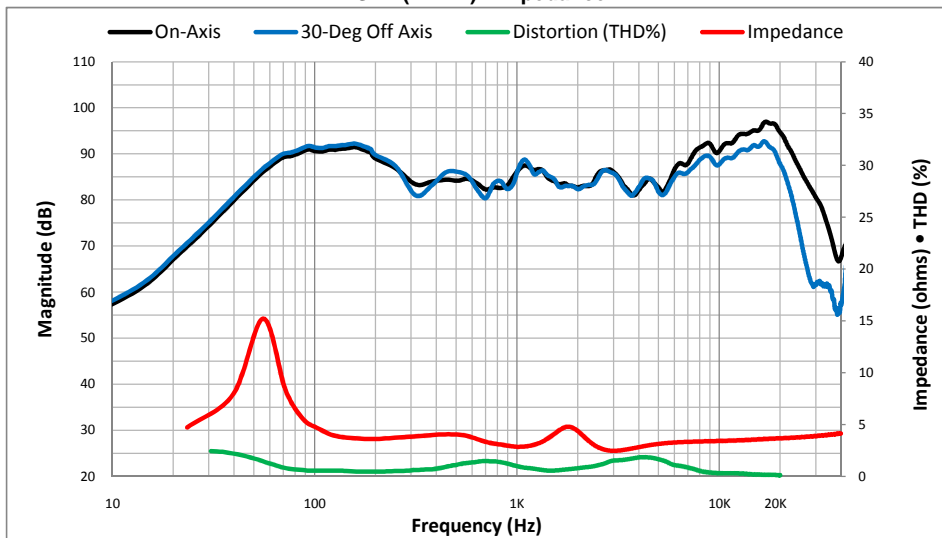


Technical Highlights

- Injection molded carbon fiber reinforced polypropylene cone
- Linear high excursion matched motor magnetics and suspension design
- 1" (25.4mm) Treated fabric dome tweeter
- VAST™ Vertical Attach Surround Technique SBR surround
- High temp aluminum voice coil (woofer)
- Fatigue and tear resistant linear poly-cotton spider
- FlexFit™ Mounting slot patten
- StampCast™ Frame structure
- Multi-OEM™ Adapter plate
- DDC™ Discreet Dual Clamp tweeter mounting system
- 0, -2, -4 dB Tweeter level settings (user selectable)
- Asymetrical 18dB/12dB (HP/LP) crossover network
- Flush and surface (angled) mounting hardware included
- Bi-amp switching (user selectable)
- On/off axis setting (user selectable)
- Grilles and mounting hardware included



SPL (1W1M) • Impedance



Frequency response includes summed Far-Field and Near-Field IEC60268-5 baffle measurements.

Thiele-Small Specifications (woofer)

- Fs (Hz): 55.5
- Re (Ohms): 3.5
- Le (mH): 0.57
- Qts: 0.59
- Qes: 0.73
- Qms: 3.11
- Cms (mm/N): 0.50
- Vas (L): 15.94
- Mms (g): 16.0
- Mmd (g): 14.9
- Rms (kg/s): 1.82
- Airload (g): 1.04
- No (%): 0.38
- SPL (dB - 1W/1M): 89
- BL (T*M): 5.2
- *Xmax₁₀ (mm): 5.2
- Sd (cm²): 150
- EBP: 76.341
- Krm (mOhms): 0.0074
- Erm: 0.53
- Kxm (mH): 0.0025
- Exm: 0.83
- Rem (Ohms): 0.0008

* All parameters are derived using a laser velocity measurement method and verified with actual measured Mmd and Re. Xmax10 represents actual effective excursion at <10% THD.

Technical Specifications

Voice Coil Diameter:	1.2	30	inches mm
Voice Coil Height:	0.38	9.6	inches mm
Voice Coil Layers:	2		layers
Magnetic Gap Height:	0.16	4.0	inches mm
Linear Excursion, pk-pk (Xmax):	0.14	3.7	inches mm
Maximum Excursion, pk-pk:	0.20	5.20	inches mm
Magnet Weight:	11.16	0.32	oz. kg
Woofer Displacement:	0.43	0.02	liters cubic ft.
Net Weight:	9.40	4.26	lbs. kg
Power Rating:	100	200	RMS Peak

Above specifications and dimensions comply with the CEA-2031 standard.

Specifications subject to change without notice.