



Model: P1S652

Type: Punch Shallow 6.5" 2-way coaxial

Power Rating: 55 Watts (RMS)

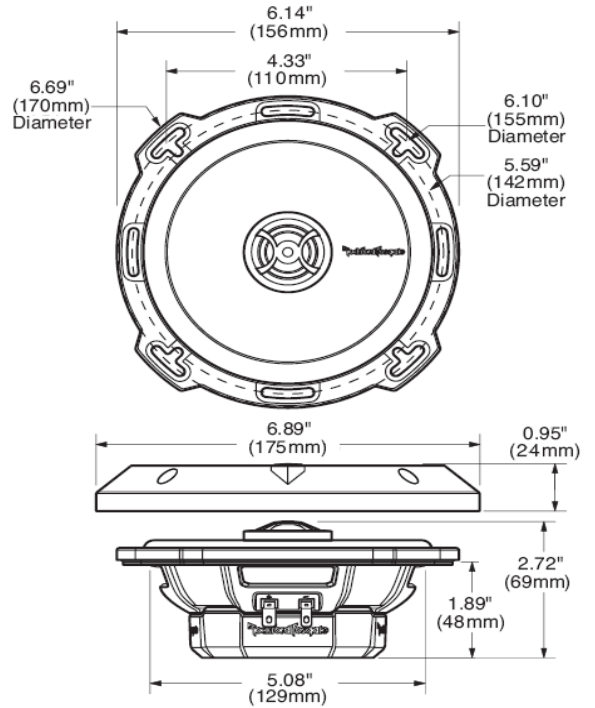
Impedance: 4 ohms

Freq. Response: 71 - 22kHz

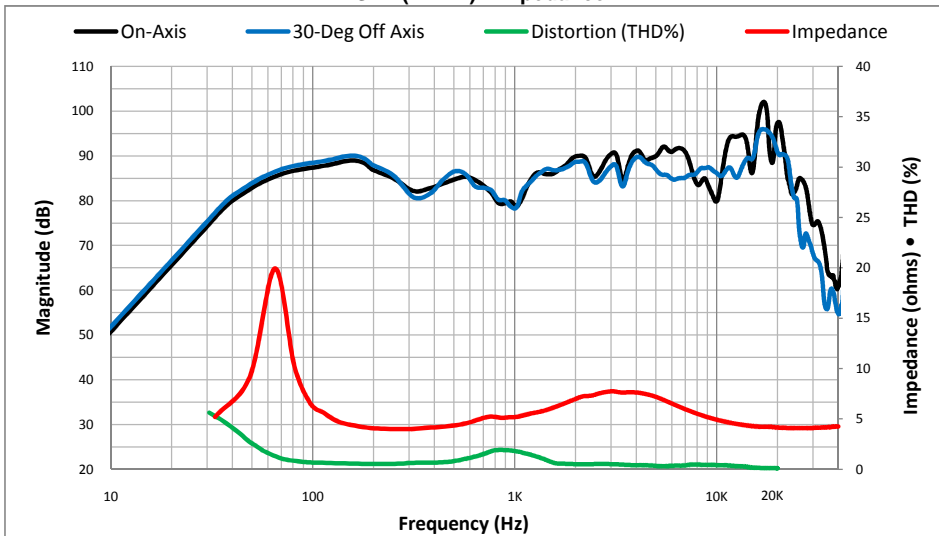


Technical Highlights

- Injection molded mineral filled polypropylene cone
- Linear high excursion matched motor magnetics and suspension design
- 0.75" (20mm) Treated PEI dome tweeter
- VAST™ Vertical Attach Surround Technique SBR surround
- FlexFit™ Mounting slot pattern
- Multi-OEM™ Adapter plate
- ICC™ Integrated Concealed Crossover components (12dB per octave)
- StampCast™ Frame structure
- Grilles and mounting hardware included



SPL (1W1M) • Impedance



Frequency response includes summed Far-Field and Near-Field IEC60268-5 baffle measurements.

Thiele-Small Specifications

- Fs (Hz): 65
- Re (Ohms): 3.8
- Le (mH): 0.36
- Qts: 0.71
- Qes: 0.86
- Qms: 4.24
- Cms (mm/N): 0.31
- Vas (L): 10.13
- Mms (g): 18.9
- Mmd (g): 17.9
- Rms (kg/s): 1.84
- Airload (g): 1.06
- No (%): 0.32
- SPL (dB - 1W/1M): 88
- BL (T*M): 5.9
- *Xmax₁₀ (mm): 2.1
- Sd (cm²): 152
- EBP: 75.758
- Krm (mOhms): 0.0186
- Erm: 0.26
- Kxm (mH): 0.0015
- Exm: 0.81
- Rem (Ohms): 0.0002

* All parameters are derived using a laser velocity measurement method and verified with actual measured Mmd and Re. Xmax₁₀ represents actual effective excursion at <10% THD.

Technical Specifications

Voice Coil Diameter:	1	25.4	inches mm
Voice Coil Height:	0.38	9.6	inches mm
Voice Coil Layers:	2		layers
Magnetic Gap Height:	0.16	4.0	inches mm
Linear Excursion, pk-pk (Xmax):	0.19	4.8	inches mm
Maximum Excursion, pk-pk:	0.27	6.80	inches mm
Magnet Weight:	11.16	0.32	oz. kg
Woofer Displacement:	0.31	0.01	liters cubic ft.
Net Weight:	5.80	2.63	lbs. kg
Power Rating:	55	110	RMS Peak

Above specifications and dimensions comply with the CEA-2031 standard.

Specifications subject to change without notice.