



Model: P1694

Type: Punch 6" x 9" 4-way coaxial

Power Rating: 75 Watts (RMS)

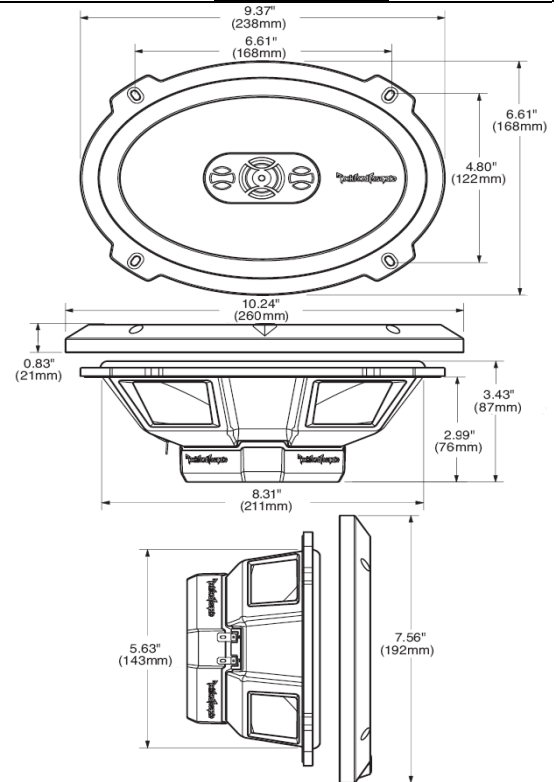
Impedance: 4 ohms

Freq. Response: 60 - 24kHz

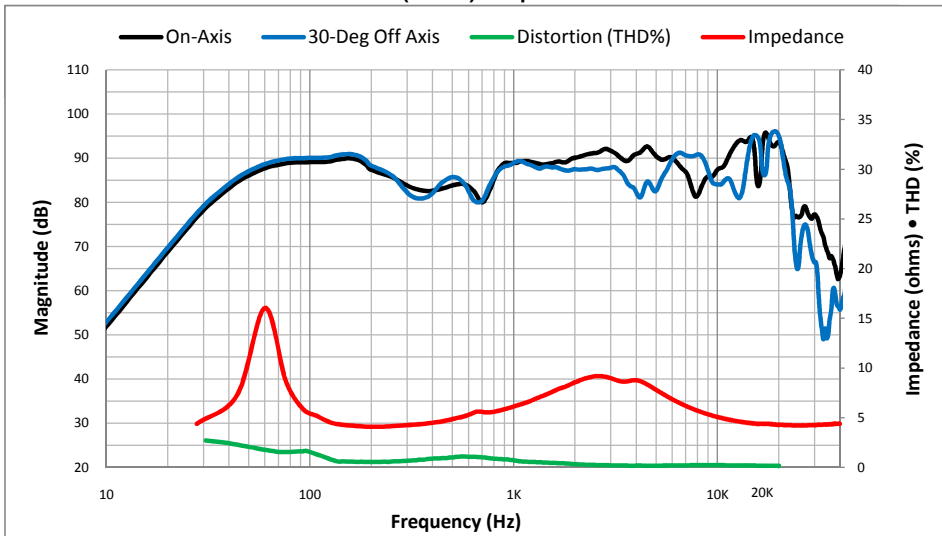


Technical Highlights

- Injection molded mineral filled polypropylene cone
- Linear high excursion matched motor magnetics and suspension design
- 0.75" (20mm) Treated PEI dome tweeter
- Dual 0.5" (13mm) PEI super tweeters
- VAST™ Vertical Attach Surround Technique SBR surround
- ICC™ Integrated Concealed Crossover components (12dB per octave)
- StampCast™ Frame structure
- Grilles and mounting hardware included



SPL (1W1M) • Impedance



Frequency response includes summed Far-Field and Near-Field IEC60268-5 baffle measurements.

Technical Specifications

Voice Coil Diameter:	1	25.4	inches mm
Voice Coil Height:	0.49	12.5	inches mm
Voice Coil Layers:	2	layers	
Magnetic Gap Height:	0.20	5.0	inches mm
Linear Excursion, pk-pk (Xmax):	0.19	4.8	inches mm
Maximum Excursion, pk-pk:	0.27	6.80	inches mm
Magnet Weight:	19.87	0.56	oz. kg
Woofer Displacement:	0.82	0.03	liters cubic ft.
Net Weight:	8.80	3.99	lbs. kg
Power Rating:	75	150	RMS Peak

Thiele-Small Specifications

- Fs (Hz): 60
- Re (Ohms): 3.8
- Le (mH): 0.33
- Qts: 0.78
- Qes: 0.97
- Qms: 4.14
- Cms (mm/N): 0.32
- Vas (L): 19.19
- Mms (g): 22.1
- Mmd (g): 20.5
- Rms (kg/s): 2.01
- Airload (g): 1.67
- No (%): 0.41
- SPL (dB - 1W/1M): 90
- BL (T*M): 5.7
- *Xmax₁₀ (mm): 2.2
- Sd (cm²): 206
- EBP: 62.048
- Krm (mOhms): 0.0384
- Erm: 0.23
- Kxm (mH): 0.0025
- Exm: 0.74
- Rem (Ohms): 0.0003

* All parameters are derived using a laser velocity measurement method and verified with actual measured Mmd and Re. Xmax₁₀ represents actual effective excursion at <10% THD.