



Model: P1683

Type: Punch 6" x 8" 3-way coaxial

Power Rating: 65 Watts (RMS)

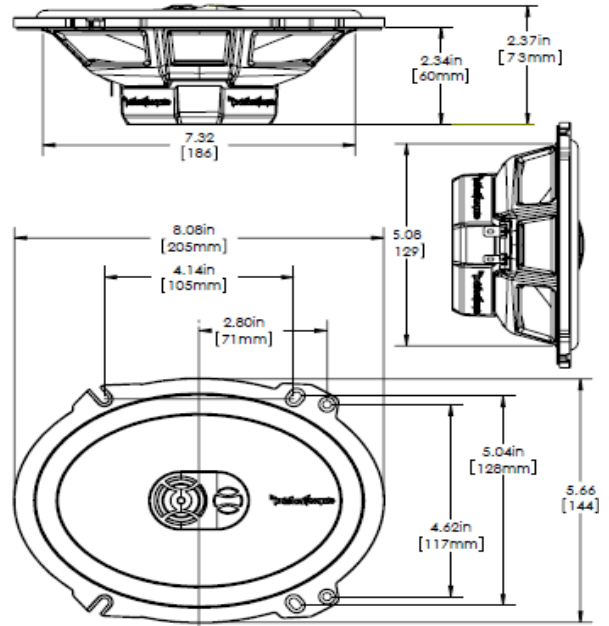
Impedance: 4 ohms

Freq. Response: 65 - 24kHz

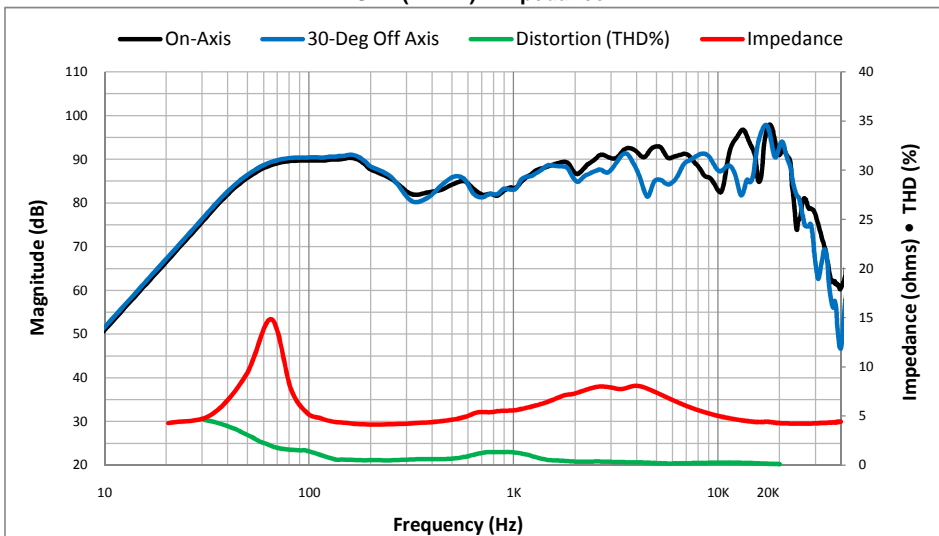


Technical Highlights

- Injection molded mineral filled polypropylene cone
- Linear high excursion matched motor magnetics and suspension design
- 0.75" (20mm) Treated PEI dome tweeter
- 0.5" (13mm) PEI super tweeter
- VAST™ Vertical Attach Surround Technique SBR surround
- ICC™ Integrated Concealed Crossover components (12dB per octave)
- StampCast™ Frame structure
- Mounting hardware included



SPL (1W1M) • Impedance



Frequency response includes summed Far-Field and Near-Field IEC60268-5 baffle measurements.

Technical Specifications

Voice Coil Diameter:	1	25.4	inches mm
Voice Coil Height:	0.38	9.6	inches mm
Voice Coil Layers:	2		layers
Magnetic Gap Height:	0.16	4.0	inches mm
Linear Excursion, pk-pk (Xmax):	0.27	6.9	inches mm
Maximum Excursion, pk-pk:	0.39	9.80	inches mm
Magnet Weight:	11.16	0.32	oz. kg
Woofer Displacement:	0.44	0.02	liters cubic ft.
Net Weight:	4.90	2.22	lbs. kg
Power Rating:	65	130	RMS Peak

Thiele-Small Specifications

- Fs (Hz): 65.5
- Re (Ohms): 3.9
- Le (mH): 0.31
- Qts: 0.97
- Qes: 1.23
- Qms: 4.60
- Cms (mm/N): 0.23
- Vas (L): 8.16
- Mms (g): 25.1
- Mmd (g): 24.0
- Rms (kg/s): 2.25
- Airload (g): 1.11
- No (%): 0.18
- SPL (dB - 1W/1M): 88
- BL (T*M): 5.8
- *Xmax₁₀ (mm): 2.9
- Sd (cm²): 157
- EBP: 53.122
- Krm (mOhms): 0.0397
- Erm: 0.29
- Kxm (mH): 0.0018
- Exm: 0.8
- Rem (Ohms): 0.0005

* All parameters are derived using a laser velocity measurement method and verified with actual measured Mmd and Re. Xmax₁₀ represents actual effective excursion at <10% THD.