



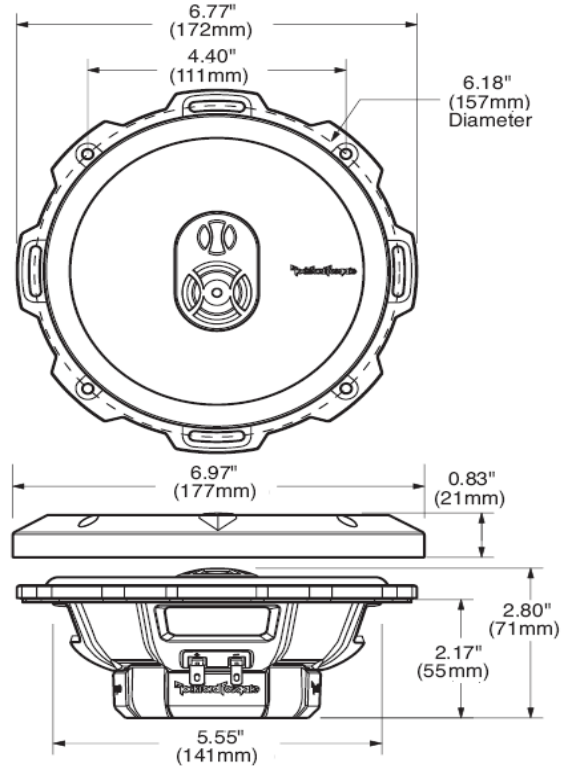
Model: P1653

Type: Punch 6.5" 3-way coaxial

Power Rating: 60 Watts (RMS)

Impedance: 4 ohms

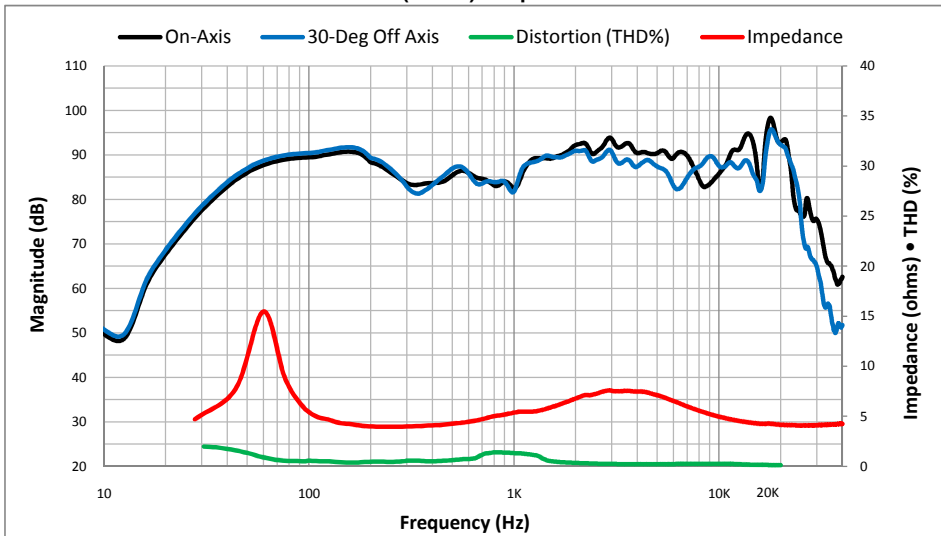
Freq. Response: 65 - 22kHz



Technical Highlights

- Injection molded mineral filled polypropylene cone
- Linear high excursion matched motor magnetics and suspension design
- 0.75" (20mm) Treated PEI dome tweeter
- 0.5" (13mm) PEI super tweeter
- VAST™ Vertical Attach Surround Technique SBR surround
- FlexFit™ Mounting slot pattern
- Multi-OEM™ Adapter plate
- ICC™ Integrated Concealed Crossover components (12dB per octave)
- StampCast™ Frame structure
- Grilles and mounting hardware included

SPL (1W1M) • Impedance



Frequency response includes summed Far-Field and Near-Field IEC60268-5 baffle measurements.

Thiele-Small Specifications

- Fs (Hz): 60
- Re (Ohms): 3.8
- Le (mH): 0.31
- Qts: 0.75
- Qes: 0.92
- Qms: 4.00
- Cms (mm/N): 0.35
- Vas (L): 20.92
- Mms (g): 21.4
- Mmd (g): 19.8
- Rms (kg/s): 1.96
- Airload (g): 1.67
- No (%): 0.43
- SPL (dB - 1W/1M): 89
- BL (T*M): 5.7
- *Xmax₁₀ (mm): 2.7
- Sd (cm²): 206
- EBP: 65.502
- K_{rm} (mOhms): 0.0263
- E_{rm}: 0.28
- K_{xm} (mH): 0.0019
- E_{xm}: 0.79
- Re_m (Ohms): 0.0003

* All parameters are derived using a laser velocity measurement method and verified with actual measured Mmd and Re. Xmax₁₀ represents actual effective excursion at <10% THD.

Technical Specifications

Voice Coil Diameter:	1	25.4	inches mm
Voice Coil Height:	0.38	9.6	inches mm
Voice Coil Layers:	2		layers
Magnetic Gap Height:	0.16	4.0	inches mm
Linear Excursion, pk-pk (Xmax):	0.22	5.5	inches mm
Maximum Excursion, pk-pk:	0.31	7.80	inches mm
Magnet Weight:	11.16	0.32	oz. kg
Woofer Displacement:	0.43	0.02	liters cubic ft.
Net Weight:	6.20	2.81	lbs. kg
Power Rating:	60	120	RMS Peak