



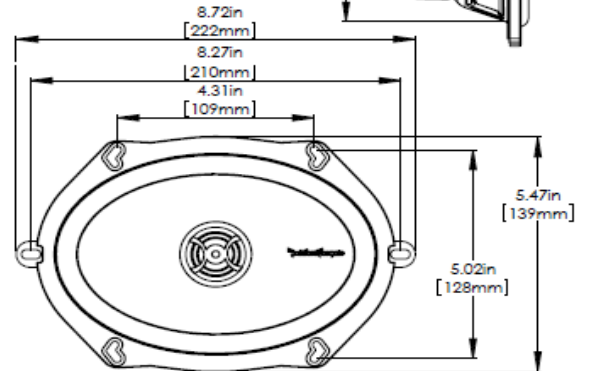
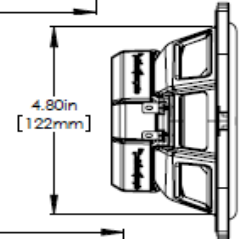
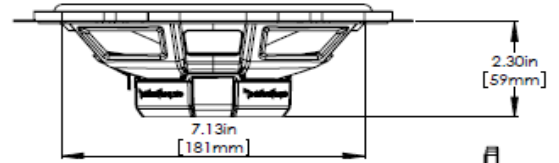
Model: P1572

Type: Punch 5" x 7" 2-way coaxial

Power Rating: 60 Watts (RMS)

Impedance: 4 ohms

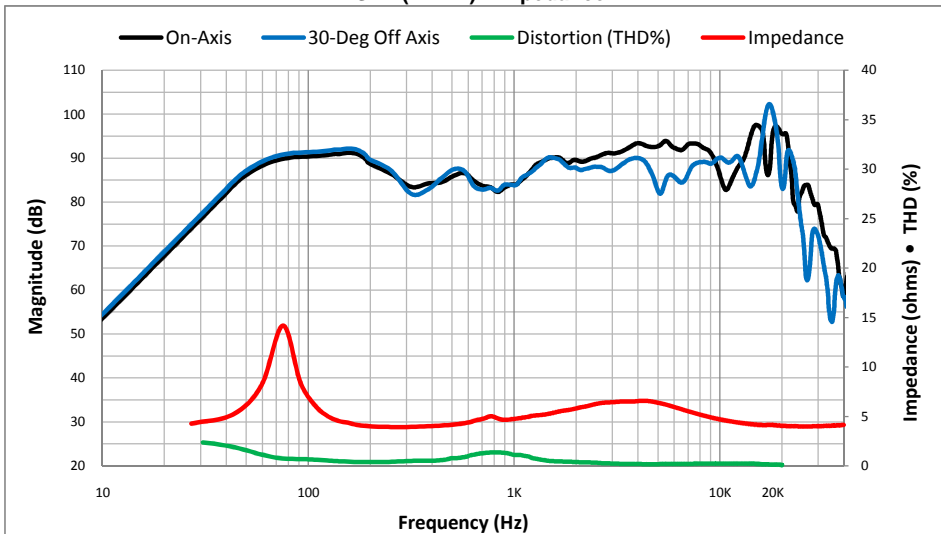
Freq. Response: 75 - 22kHz



Technical Highlights

- Injection molded mineral filled polypropylene cone
- Linear high excursion matched motor magnetics and suspension design
- 0.75" (20mm) Treated PEI dome tweeter
- VAST™ Vertical Attach Surround Technique SBR surround
- Multi-OEM™ Adapter plate
- ICC™ Integrated Concealed Crossover components (12dB per octave)
- StampCast™ Frame structure
- Mounting hardware included

SPL (1W1M) • Impedance



Frequency response includes summed Far-Field and Near-Field IEC60268-5 baffle measurements.

Thiele-Small Specifications

- Fs (Hz): 75
- Re (Ohms): 4.1
- Le (mH): 0.27
- Qts: 1.03
- Qes: 1.34
- Qms: 4.38
- Cms (mm/N): 0.32
- Vas (L): 9.18
- Mms (g): 13.9
- Mmd (g): 12.9
- Rms (kg/s): 1.50
- Airload (g): 0.96
- No (%): 0.28
- SPL (dB - 1W/1M): 87.5
- BL (T*M): 4.5
- *Xmax₁₀ (mm): 2.1
- Sd (cm²): 142
- EBP: 55.845
- Krm (mOhms): 0.0525
- Erm: 0.15
- Kxm (mH): 0.0015
- Exm: 0.77
- Rem (Ohms): 0.0002

* All parameters are derived using a laser velocity measurement method and verified with actual measured Mmd and Re. Xmax10 represents actual effective excursion at <10% THD.

Technical Specifications

Voice Coil Diameter:	1	25.4	inches mm
Voice Coil Height:	0.29	7.3	inches mm
Voice Coil Layers:	2		layers
Magnetic Gap Height:	0.16	4.0	inches mm
Linear Excursion, pk-pk (Xmax):	0.21	5.2	inches mm
Maximum Excursion, pk-pk:	0.29	7.40	inches mm
Magnet Weight:	11.16	0.32	oz. kg
Woofer Displacement:	0.42	0.01	liters cubic ft.
Net Weight:	5.60	2.54	lbs. kg
Power Rating:	60	120	RMS Peak

Above specifications and dimensions comply with the CEA-2031 standard.

Specifications subject to change without notice.