



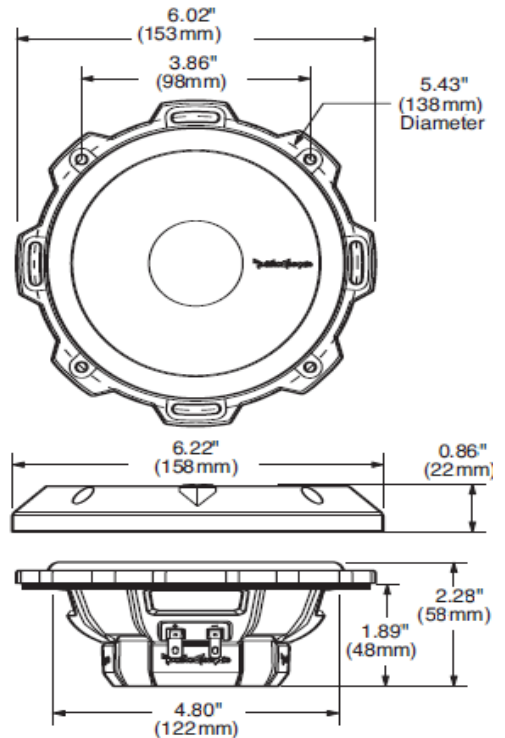
Model: P152

Type: Punch 5.25" 2-way coaxial

Power Rating: 40 Watts (RMS)

Impedance: 4 ohms

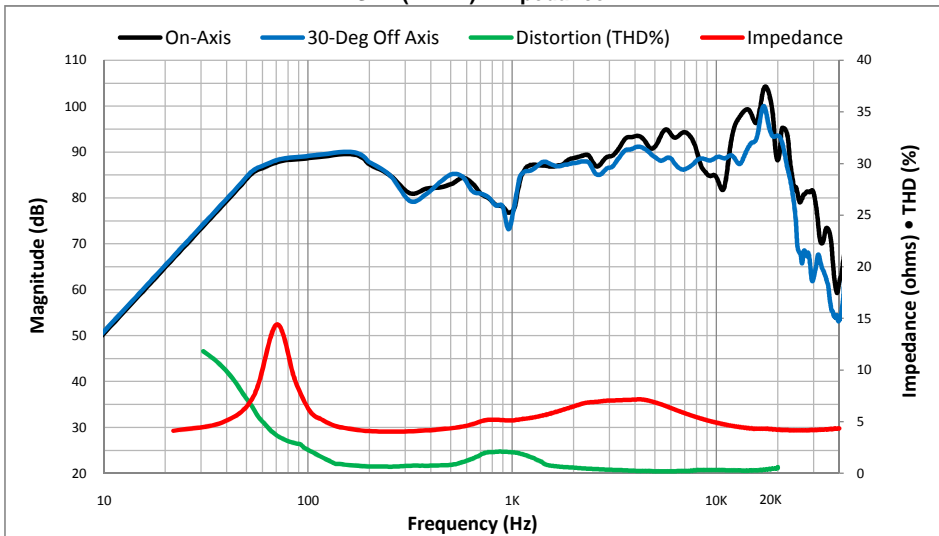
Freq. Response: 70 - 22kHz



Technical Highlights

- Injection molded mineral filled polypropylene cone
- Linear high excursion matched motor magnetics and suspension design
- 0.75" (20mm) Treated PEI dome tweeter
- VAST™ Vertical Attach Surround Technique SBR surround
- FlexFit™ Mounting slot pattern (with break-away tabs)
- Multi-OEM™ Adapter plate
- ICC™ Integrated Concealed Crossover components (12dB per octave)
- StampCast™ Frame structure
- Grilles and mounting hardware included

SPL (1W1M) • Impedance



Frequency response includes summed Far-Field and Near-Field IEC60268-5 baffle measurements.

Technical Specifications

| | | | |
|---------------------------------|------|------|--------------------|
| Voice Coil Diameter: | 1 | 25.4 | inches mm |
| Voice Coil Height: | 0.29 | 7.3 | inches mm |
| Voice Coil Layers: | 2 | | layers |
| Magnetic Gap Height: | 0.20 | 5.0 | inches mm |
| Linear Excursion, pk-pk (Xmax): | 0.16 | 4.0 | inches mm |
| Maximum Excursion, pk-pk: | 0.22 | 5.60 | inches mm |
| Magnet Weight: | 5.32 | 0.15 | oz. kg |
| Woofer Displacement: | 0.23 | 0.01 | liters cubic ft. |
| Net Weight: | 4.90 | 2.22 | lbs. kg |
| Power Rating: | 40 | 80 | RMS Peak |

Thiele-Small Specifications

- Fs (Hz): 70
- Re (Ohms): 4.0
- Le (mH): 0.31
- Qts: 0.94
- Qes: 1.21
- Qms: 4.15
- Cms (mm/N): 0.52
- Vas (L): 8.81
- Mms (g): 10.0
- Mmd (g): 9.3
- Rms (kg/s): 1.06
- Airload (g): 0.65
- No (%): 0.24
- SPL (dB - 1W/1M): 87
- BL (T*M): 3.8
- *Xmax10 (mm): 2.1
- Sd (cm2): 109
- EBP: 58.043
- Krm (mOhms): 0.0519
- Erm: 0.17
- Kxm (mH): 0.0012
- Exm: 0.81
- Rem (Ohms): 0.0002

* All parameters are derived using a laser velocity measurement method and verified with actual measured Mmd and Re. Xmax10 represents actual effective excursion at <10% THD.