



**Model:** P1462

**Type:** Punch 4" x 6" 2-way coaxial

**Power Rating:** 35 Watts (RMS)

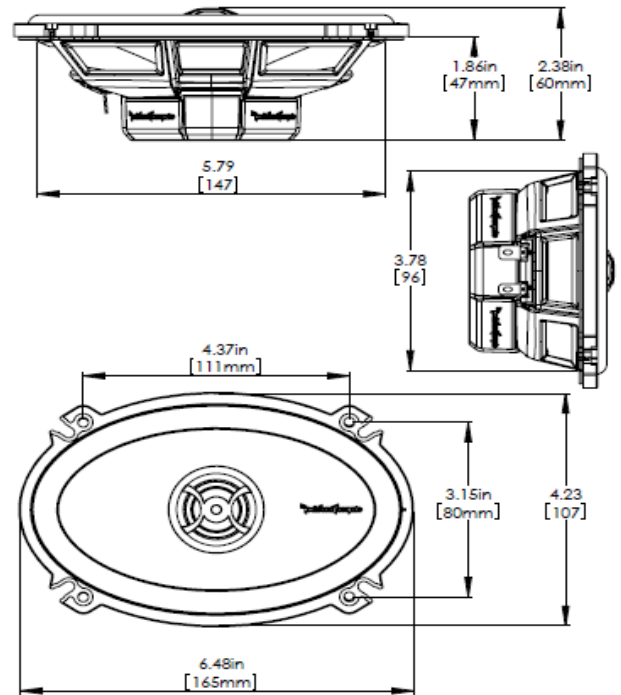
**Impedance:** 4 ohms

**Freq. Response:** 90 - 22kHz

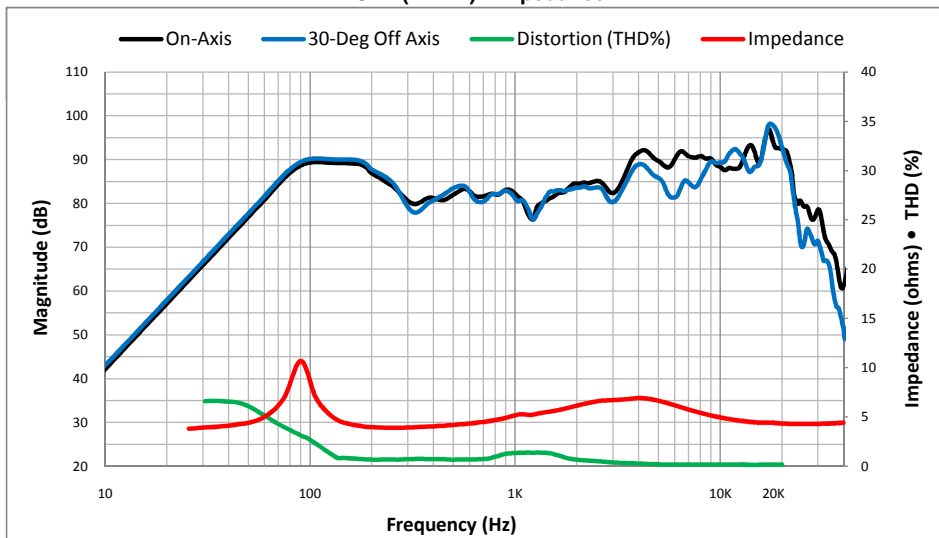


**Technical Highlights**

- Injection molded mineral filled polypropylene cone
- Linear high excursion matched motor magnetics and suspension design
- 0.75" (20mm) Treated PEI dome tweeter
- VAST™ Vertical Attach Surround Technique SBR surround
- Multi-OEM™ Adapter plate
- ICC™ Integrated Concealed Crossover components (12dB per octave)
- StampCast™ Frame structure
- Mounting hardware included



SPL (1W1M) • Impedance



Frequency response includes summed Far-Field and Near-Field IEC60268-5 baffle measurements.

**Technical Specifications**

Voice Coil Diameter:	1	25.4	inches   mm
Voice Coil Height:	0.29	7.3	inches   mm
Voice Coil Layers:	2		layers
Magnetic Gap Height:	0.16	4.0	inches   mm
Linear Excursion, pk-pk (Xmax):	0.18	4.7	inches   mm
Maximum Excursion, pk-pk:	0.26	6.60	inches   mm
Magnet Weight:	4.43	0.13	oz.   kg
Woofer Displacement:	0.25	0.01	liters   cubic ft.
Net Weight:	3.40	1.54	lbs.   kg
Power Rating:	35	70	RMS   Peak

**Thiele-Small Specifications**

- Fs (Hz): 90
- Re (Ohms): 4.2
- Le (mH): 0.27
- Qts: 1.62
- Qes: 2.33
- Qms: 5.32
- Cms (mm/N): 0.34
- Vas (L): 4.19
- Mms (g): 9.2
- Mmd (g): 8.7
- Rms (kg/s): 0.98
- Airload (g): 0.52
- No (%): 0.13
- SPL (dB - 1W/1M): 87
- BL (T\*M): 3.1
- \*Xmax<sub>10</sub> (mm): 2.2
- Sd (cm<sup>2</sup>): 94
- EBP: 38.71
- Krm (mOhms): 0.0012
- Erms: 0.61
- Kxm (mH): 0.0012
- Exm: 0.8
- Rem (Ohms): 0.0002

\* All parameters are derived using a laser velocity measurement method and verified with actual measured Mmd and Re. Xmax<sub>10</sub> represents actual effective excursion at <10% THD.