



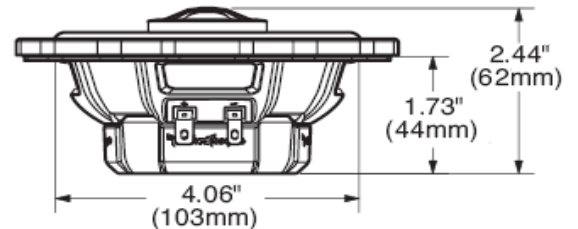
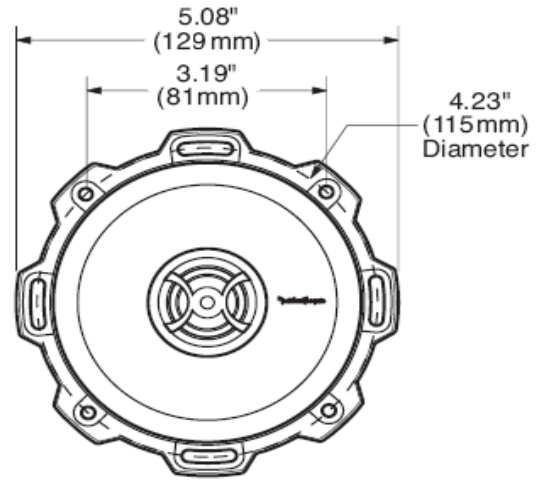
**Model:** P142

**Type:** Punch 4" 2-way coaxial

**Power Rating:** 30 Watts (RMS)

**Impedance:** 4 ohms

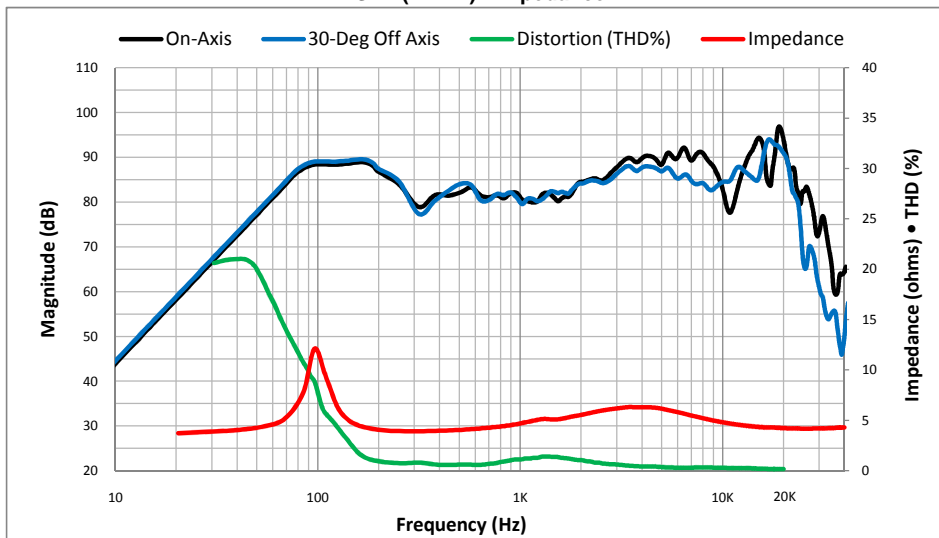
**Freq. Response:** 100 - 22kHz



**Technical Highlights**

- Injection molded mineral filled polypropylene cone
- Linear high excursion matched motor magnetics and suspension design
- 0.75" (20mm) Treated PEI dome tweeter
- VAST™ Vertical Attach Surround Technique SBR surround
- FlexFit™ Mounting slot pattern (with break-away tabs)
- Multi-OEM™ Adapter plate
- ICC™ Integrated Concealed Crossover components (12dB per octave)
- StampCast™ Frame structure
- Mounting hardware included

SPL (1W1M) • Impedance



Frequency response includes summed Far-Field and Near-Field IEC60268-5 baffle measurements.

**Thiele-Small Specifications**

- Fs (Hz): 98.5
- Re (Ohms): 4.0
- Le (mH): 0.22
- Qts: 1.25
- Qes: 1.66
- Qms: 5.03
- Cms (mm/N): 0.39
- Vas (L): 2.77
- Mms (g): 7.0
- Mmd (g): 6.7
- Rms (kg/s): 0.84
- Airload (g): 0.34
- No (%): 0.15
- SPL (dB - 1W/1M): 86
- BL (T\*M): 3.2
- \*Xmax<sub>10</sub> (mm): 1.5
- Sd (cm<sup>2</sup>): 71
- EBP: 59.517
- Krm (mOhms): 0.0463
- Erm: 0.08
- Kxm (mH): 0.0013
- Exm: 0.76
- Rem (Ohms): 0.0001

\* All parameters are derived using a laser velocity measurement method and verified with actual measured Mmd and Re. Xmax<sub>10</sub> represents actual effective excursion at <10% THD.

**Technical Specifications**

Voice Coil Diameter:	1	25.4	inches   mm
Voice Coil Height:	0.21	5.3	inches   mm
Voice Coil Layers:	2		layers
Magnetic Gap Height:	0.20	5.0	inches   mm
Linear Excursion, pk-pk (Xmax):	0.07	1.8	inches   mm
Maximum Excursion, pk-pk:	0.10	2.60	inches   mm
Magnet Weight:	4.43	0.13	oz.   kg
Woofer Displacement:	0.17	0.01	liters   cubic ft.
Net Weight:	3.20	1.45	lbs.   kg
Power Rating:	30	60	RMS   Peak

Above specifications and dimensions comply with the CEA-2031 standard.

Specifications subject to change without notice.