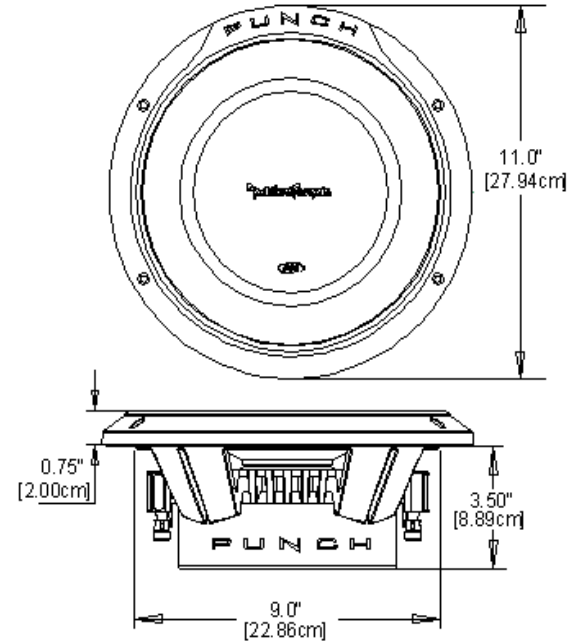


Model: P3SD410

Type: DVC Subwoofer

Power Rating: 300 Watts

Impedance: (2) x 4 ohms



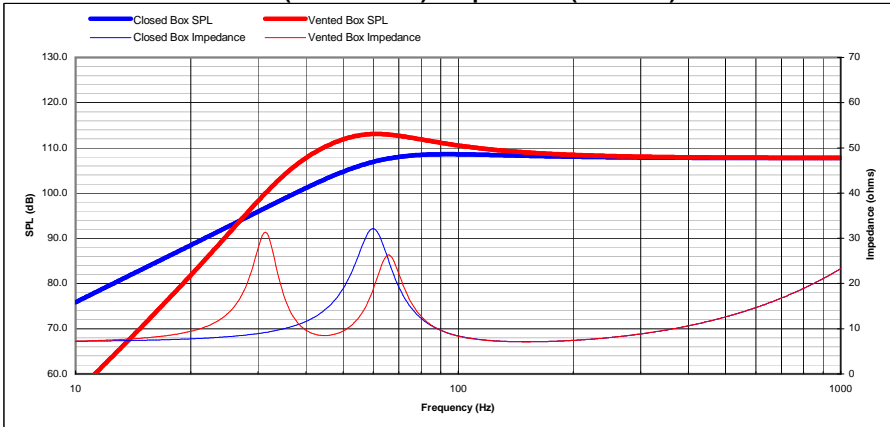
Features

- High modulus closed conical cone and ABS/Acrylic dustcap assembly.
- Kevlar fiber reinforced semi-pressed paper cone.
- Tear & fatigue resistant poly-cotton spider.
- High density compressed half-roll sealed poly-foam surround.
- High temp voice coil with spun-laced Nomex™ insulating reinforcement collar.
- Optimized motor magnetics with extended pole and bumped vented backplate.
- Fatigue resistant and reduced strain "stitched on" flexible lead wire design.
- Multi-point high-temp/high-strength neck joint bonding technique.
- Rigid die-cast aluminum low profile frame.
- Semi-flexible PVC removable protective motor cover.
- Custom insulated/isolated compression input terminal assembly.
- Proprietary spider venting/cooling technique.
- Spherically vented motor / coil cooling design.

Recommended Applications

Enclosure	Volume (Vb)		Tuning(Fb)	System	-3dB (F3)	Port Dia.		Port Length	
	Liters	cu.ft.	Hz	(Qtc)	Hz	in.	mm	in.	mm
Sealed:	14.2	0.50	49.7	0.92	50.0	-	-	-	-
Ported:	21.2	0.75	46.0	-	35.9	3.0	76.2	12.0	304.8

SPL (at 300 Watts) / Impedance (at 1 Watt)



Thiele-Small Specifications

- Fs (Hz): 45.0
- Re (Ohms): 6.80
- Le (mH): 3.6
- Qts: 0.73
- Qes: 0.87
- Qms: 4.50
- Cms (m/N): 0.08
- Vas (L): 10.4
- Mms (g): 159.6
- Mmd (g): 156.5
- Rms (kg/s): 10.1
- Airload (g): 3.2
- No (%): 0.13
- SPL (dB - 1W/1M): 83.0
- BL (T*M): 18.8
- *Xmax₁₀ (mm): 10.8
- Sd (cm²): 310
- EBP: 52
- Krm (mOhms): 1.65
- Erm: 1.10
- Kxm (mH): 119.8
- Exm: 0.60
- Rem (Ohms): 24.86

* All parameters are derived using a laser velocity measurement method and verified with actual measured Mmd and Re. All dual voice coil models are wired in series. Xmax₁₀ represents actual effective excursion at <10% THD.

Technical Specifications

Voice Coil Diameter:	2.5	63.5	inches mm
Voice Coil Height:	1.023	26.0	inches mm
Voice Coil Layers:	4		layers
Magnetic Gap Height:	0.315	8.0	inches mm
Linear Excursion, pk-pk (Xmax):	0.354	9.0	inches mm
Maximum Excursion, pk-pk:	1.77	45.0	inches mm
Magnet Weight:	47	1.33	oz. kg
Woofer Displacement:	1.73	0.061	liters cubic ft.
Net Weight:	11.7	5.3	lbs. kg
Power Rating:	300	600	RMS Peak