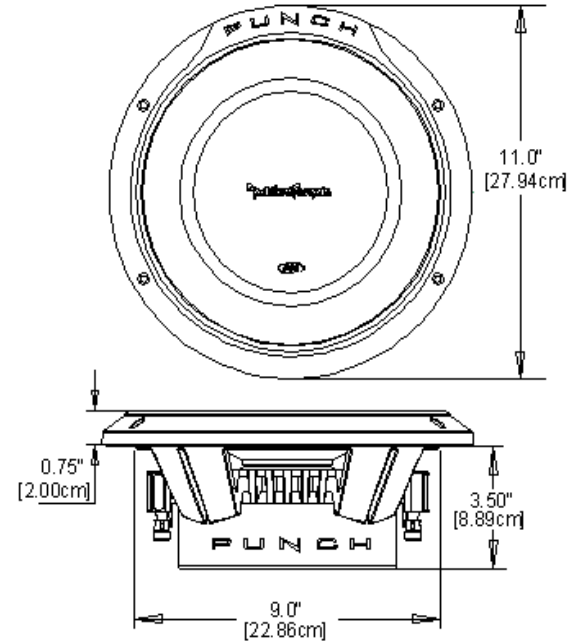


Model: P3SD210

Type: DVC Subwoofer

Power Rating: 300 Watts

Impedance: (2) x 2 ohms



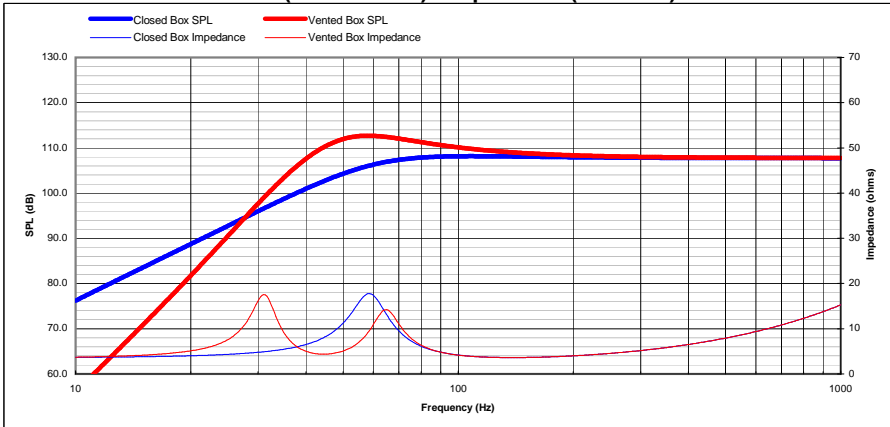
Features

- High modulus closed conical cone and ABS/Acrylic dustcap assembly.
- Kevlar fiber reinforced semi-pressed paper cone.
- Tear & fatigue resistant poly-cotton spider.
- High density compressed half-roll sealed poly-foam surround.
- High temp voice coil with spun-laced Nomex™ insulating reinforcement collar.
- Optimized motor magnetics with extended pole and bumped vented backplate.
- Fatigue resistant and reduced strain "stitched on" flexible lead wire design.
- Multi-point high-temp/high-strength neck joint bonding technique.
- Rigid die-cast aluminum low profile frame.
- Semi-flexible PVC removable protective motor cover.
- Custom insulated/isolated compression input terminal assembly.
- Proprietary spider venting/cooling technique.
- Spherically vented motor / coil cooling design.

Recommended Applications

| Enclosure | Volume (Vb) | | Tuning(Fb) | System (Qtc) | -3dB (F3) | Port Dia. | | Port Length | |
|-----------|-------------|--------|------------|--------------|-----------|-----------|------|-------------|-------|
| | Liters | cu.ft. | Hz | | Hz | in. | mm | in. | mm |
| Sealed: | 14.2 | 0.50 | 51.5 | 0.83 | 51.8 | - | - | - | - |
| Ported: | 21.2 | 0.75 | 46.0 | - | 36.5 | 3.0 | 76.2 | 12.0 | 304.8 |

SPL (at 300 Watts) / Impedance (at 1 Watt)



Thiele-Small Specifications

- Fs (Hz): 44.0
- Re (Ohms): 3.40
- Le (mH): 2.4
- Qts: 0.66
- Qes: 0.77
- Qms: 4.50
- Cms (m/N): 0.08
- Vas (L): 10.4
- Mms (g): 171.0
- Mmd (g): 167.9
- Rms (kg/s): 10.5
- Airload (g): 3.2
- No (%): 0.13
- SPL (dB - 1W/1M): 83.0
- BL (T*M): 14.4
- *Xmax₁₀ (mm): 10.8
- Sd (cm²): 310
- EBP: 57
- Krm (mOhms): 1.16
- Erm: 1.09
- Kxm (mH): 66.6
- Exm: 0.61
- Rem (Ohms): 16.01

* All parameters are derived using a laser velocity measurement method and verified with actual measured Mmd and Re. All dual voice coil models are wired in series. Xmax₁₀ represents actual effective excursion at <10% THD.

Technical Specifications

| | | | |
|---------------------------------|-------|-------|--------------------|
| Voice Coil Diameter: | 2.5 | 63.5 | inches mm |
| Voice Coil Height: | 1.023 | 26.0 | inches mm |
| Voice Coil Layers: | 4 | | layers |
| Magnetic Gap Height: | 0.315 | 8.0 | inches mm |
| Linear Excursion, pk-pk (Xmax): | 0.354 | 9.0 | inches mm |
| Maximum Excursion, pk-pk: | 1.77 | 45.0 | inches mm |
| Magnet Weight: | 47 | 1.33 | oz. kg |
| Woofer Displacement: | 1.73 | 0.061 | liters cubic ft. |
| Net Weight: | 11.7 | 5.3 | lbs. kg |
| Power Rating: | 300 | 600 | RMS Peak |