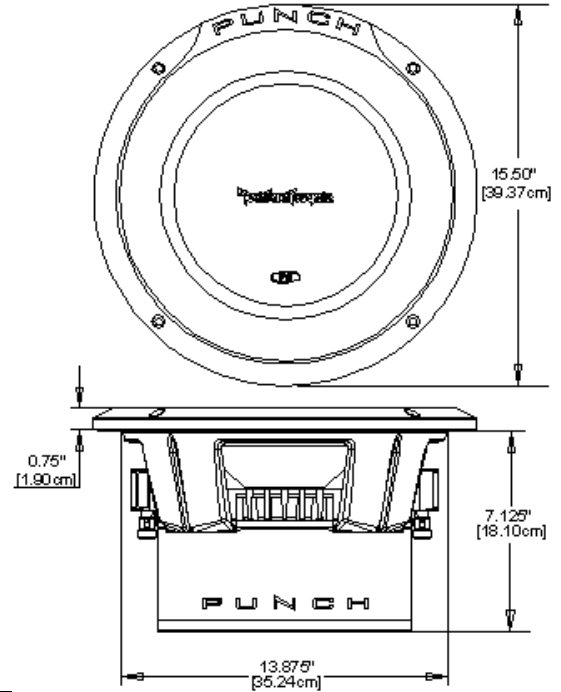


Model: P2D215

Type: DVC Subwoofer

Power Rating: 250 Watts

Impedance: (2) x 2 ohms



Features

- High modulus closed conical cone and ABS/Acrylic dustcap assembly.
- Mineral-filled polypropylene thermo-formed cone.
- Tear & fatigue resistant poly-cotton spider.
- High density compressed half-roll sealed poly-foam surround.
- High temp voice coil with spun-laced Nomex™ insulating reinforcement collar.
- Optimized motor magnetics with extended pole and bumped backplate.
- Double stack ferrite magnet structure.
- Fatigue resistant and reduced strain "stitched on" flexible lead wire design.
- Multi-point high-temp/high-strength neck joint bonding technique.
- Rigid compound bend 16 gauge cold-rolled stamped steel frame.
- Custom insulated/isolated compression input terminal assembly.
- Proprietary "Venturi effect" venting/cooling technique.
- Diamond-cut cast aluminum motor cover for improved heat dissipation.

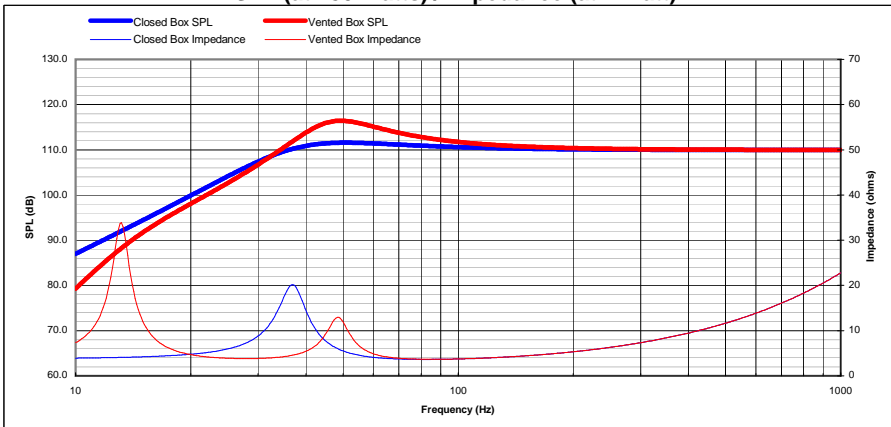
Recommended Applications

Enclosure	Volume (Vb)		Tuning(Fb)	System (Qtc)	-3dB (F3)	Port Dia.		Port Length	
	Liters	cu.ft.	Hz		Hz	in.	mm	in.	mm
Sealed:	75.3	2.66	29.1	1.01	29.2	-	-	-	-
Ported:	72.2	2.55	32.0	-	30.3	4.0	101.6	10.0	254.0

Thiele-Small Specifications

- Fs (Hz): 20.0
- Re (Ohms): 3.50
- Le (mH): 3.6
- Qts: 0.63
- Qes: 0.68
- Qms: 8.50
- Cms (m/N): 0.22
- Vas (L): 190.0
- Mms (g): 305.3
- Mmd (g): 292.7
- Rms (kg/s): 4.4
- Airload (g): 12.6
- No (%): 0.25
- SPL (dB - 1W/1M): 86.0
- BL (T*M): 14.3
- *Xmax₁₀ (mm): 15.0
- Sd (cm²): 790
- EBP: 29
- Krm (mOhms): 3.40
- Erm: 1.02
- Kxm (mH): 72.8
- Exm: 0.67
- Rem (Ohms): 25.45

SPL (at 250 Watts) / Impedance (at 1 Watt)



Technical Specifications

Voice Coil Diameter:	2	50.8	inches mm
Voice Coil Height:	1.38	35.1	inches mm
Voice Coil Layers:	4		layers
Magnetic Gap Height:	0.394	10.0	inches mm
Linear Excursion, pk-pk (Xmax):	0.492	12.5	inches mm
Maximum Excursion, pk-pk:	1.97	50.0	inches mm
Magnet Weight:	78	2.21	oz. kg
Woofer Displacement:	1.87	0.066	liters cubic ft.
Net Weight:	16.1	7.3	lbs. kg
Power Rating:	250	500	RMS Peak

* All parameters are derived using a laser velocity measurement method and verified with actual measured Mmd and Re. All dual voice coil models are wired in series. Xmax₁₀ represents actual effective excursion at <10% THD.