

## MULTIPLE 3SIXTY MODIFICATION

Use these instructions **before** you install the 3Sixty units into your vehicle. This setup will not be found in the Installation and Operation manual as it takes some installation skills to ensure you have the correct settings. This sheet will help you through the process of modifying a 3Sixty unit and the supplied controller cables for multiple installation.

**NOTE: A soldering iron is required to modify the 3Sixty circuit board.**

The 3Sixty units, both 3SIXTY.1 and 3SIXTY.2, can be modified to utilize this feature.

In order to integrate into complex OEM systems, some installations may require multiple 3Sixty devices. Normally, this would require that each 3Sixty would use it's own Master Volume/Subwoofer level controller. However, it is possible to modify your units so that multiple 3Sixty devices can be controlled with one Master Volume/Subwoofer level controller.

**NOTE: While typical applications may only involve two 3Sixty units, this method can be applied to control more than two units.**

### • MODIFYING THE UNITS

**NOTE: This modification will cause one device to act as the master and the other to act as the slave. In this mode, do not operate either device without the controller plugged in. This will not cause any damage but the output level may fluctuate randomly!**

In the following steps, we will refer to the 3Sixty units as "Device A" and "Device B". Device A will remain unmodified and will act as the master of the system. Modification will ONLY be done to Device B, and this will then act as the slave device.

1. Select the 3Sixty unit that will be Device B and remove the two screws from the input panel. Figure 1.

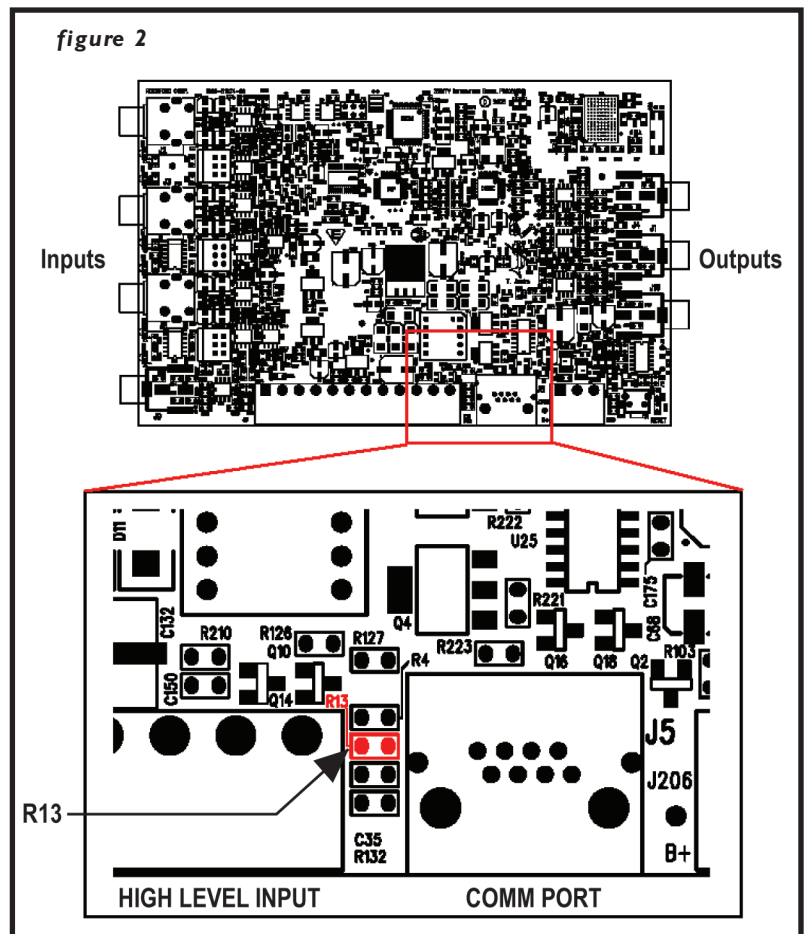
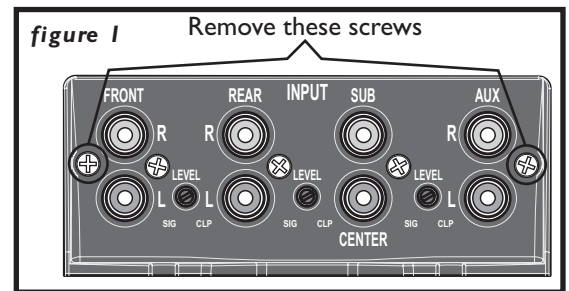
**NOTE: We suggest you mark the unit being modified with a permanent marker on the housing to identify it easily later during installation.**

2. Carefully slide the circuit board out of the housing.
3. Locate the R13 resistor. Figure 2. Using a soldering iron, carefully remove the R13 resistor.

**NOTE: Ensure any excess flux and solder is removed.**

4. Reassemble the 3Sixty unit.

**NOTE: Keep the resistor (R13) for use if you ever want to revert the unit back. This is a 4.99k ohm resistor.**



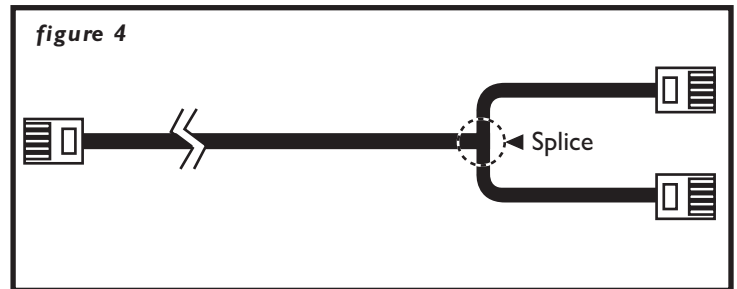
**• MODIFYING THE CONTROLLER CABLES**

1. Take the controller cables supplied with the 3Sixty units and cut off 1 to 2 feet from one of the ends. Figure 3. Depending on the number of units being modified you should have the same number of long and short cut pieces. Do not discard any as of yet.
2. Take one long section and all of the short sections, strip back the cables and splice all together. Figure 4. Ensure you match the same colors of all of the wires in the cables (there are 8 individual wires in the cables).



**NOTE: Tape or heatshrink the splicings to prevent shorting.**

3. During installation, connect the long end to the controller and the other ends to the 3Sixty units. Figure 5.



**• OPERATION**

Both, or all if more then one Device B unit, will be controlled equally when using the controller.

**NOTE: It is suggested that all 3Sixty units being use are set the same when controlling either Master Volume or Subwoofer Volume.**

When the knob on the controller is pushed, both units will switch to auxiliary mode.

**Note: You will need to ensure that the Aux inputs are used on all the units in order to get output from them when switched.**

