



Rockford Fosgate®

Installation & Operation

Installation et fonctionnement
Instalación y funcionamiento
Einbau und Betrieb
Installazione e funzionamento

Punch Series

Loaded Enclosures

| | | |
|---------|---------|---------|
| PL1-110 | PL2-110 | PL3-110 |
| PL1-210 | PL2-210 | PL3-210 |
| PL1-112 | PL2-112 | PL3-112 |
| PL1-212 | PL2-212 | PL3-212 |

INSTALLATION – ENGLISH

⚠ CAUTION: Before installation, disconnect the battery negative (-) terminal to prevent damage to the unit, fire and/or possible injury.
Run the speaker cable from the amp. When routing the speaker cable from the amplifier, avoid running it close to any sources of high current (wiring harnesses). The positive (+) speaker output from the amp connects to the red terminal of the enclosure, and the negative (-) connects to the black terminal.

INSTALLATION – FRANÇAIS

⚠ MISE EN GARDE : avant d'entamer l'installation, déconnectez la broche négative (-) de la batterie pour éviter tout risque de blessures, d'incendie ou de dommages à l'appareil.

Branchement du câble du haut-parleur de l'amplificateur. En plaçant le câble du haut-parleur de l'ampli, évitez de l'approcher d'une source de courant important. La sortie positive de l'ampli se branche sur le terminal rouge du caisson, et le négatif se branche sur le terminal noir.

INSTALACIÓN – ESPAÑOL

⚠ PRECAUCIÓN: Antes de la instalación, desconecte el terminal negativo de la batería (-) para prevenir daño a la unidad, incendio y/o posibles lesiones.

Recorrido del Cable de Altavoz Desde el Amplificador. Al llevar el cable de altavoz desde el amplificador, evite que pase cerca de cualquier fuente de alto corriente (cables de alimentación). El terminal positivo (+) de las salida de rojo, y el terminal negativo (-) al terminal negro.

EINBAU – DEUTSCH

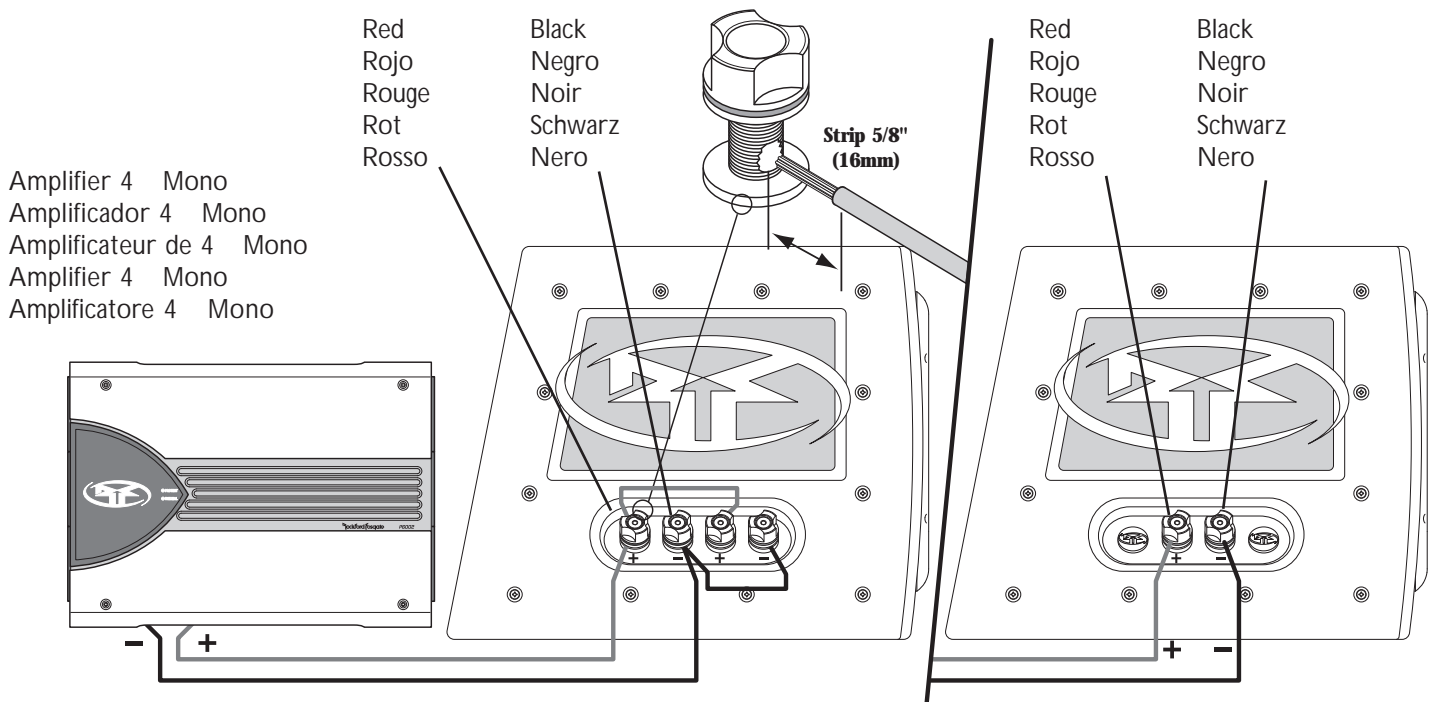
⚠ VORSICHT: Entfernen Sie vor dem Einbau den negative Batteriepol, um Schäden am Gerät, Feuer bzw. mögliche Verletzungen zu vermeiden.

Anschluß des Lautsprecherkabels. Beim Anschluß des Lautsprecherkabels sollten Sie darauf achten, daß das Kabel keine Fahrzeugstromkabel kreuzt, um Einsteuungen zu verhindern. Die Plus-Leitung des Lautsprecherkabels kommt in die rote Klemme des Terminals, die Negativ-Leitung in die schwarze Klemme des Terminals.

INSTALLAZIONE – ITALIANO

⚠ ATTENZIONE: Prima dell'installazione, scollegate il terminale negativo (-) della batteria per evitare danni all'unità, pericoli d'incendio e/o potenziali lesioni personali.

Far correre il cavo dell'altoparlante all'amplificatore. Quando fate correre il cavo dell'altoparlante all'amplificatore non fatelo passare vicino a qualsiasi cavo dell'impianto elettrico di serie dell'auto. Il segnale positivo dell'altoparlante (+) in uscita dall'amplificatore è collegato al terminale rosso del diffusore, e il negativo (-) al terminale nero.



Vented Enclosure Features

- Proprietary High-Flow, Low-Noise Ports
- High Current Binding Posts
- Constructed with 5/8" MDF
- Covered with High Density Carpet
- Wired Exclusively with Connecting Punch

Speaker Features - SVC (Single Voice Coil)

- Parabolic Injection Molded Polypropylene Cone
- 2" Voice Coil
- Steel Basket with Pre-removed Motor Cover
- 30 and 60oz. Motor Structures
- Linear Spider

Speaker Features - DVC (Dual Voice Coil)

- Parabolic Injection Molded Polypropylene Cone
- 2.5" Aluminum Voice Coil Former
- Cast Aluminum Basket with Spider Venting
- 77 and 102oz. Double Stacked Motor Structures
- Linear Spider

SPECIFICATIONS

PL1-110 (Single 10" SVC)

| | |
|--|--|
| Nominal Impedance (Ohms) | 4 |
| Power Handling (Watts-RMS/Peak) | 150 / 300 |
| Internal Box Volume (ft ³ /liter) | 1.05 (29.73L) |
| Overall Dimensions (HxWxD) (cm) | 13.5" x 17.25" x 16" (34.3 x 43.8 x 40.6) |

PL1-210 (Dual 10" SVC)

| | |
|--|--|
| Nominal Impedance (Ohms) | 4 (8x2) |
| Power Handling (Watts-RMS/Peak) | 300 / 600 |
| Internal Box Volume (ft ³ /liter) | 2.10 (59.46L) |
| Overall Dimensions (HxWxD) (cm) | 13.5" x 31.25" x 16" (34.3 x 81.9 x 40.6) |

PL1-112 (Single 12" SVC)

| | |
|--|--|
| Nominal Impedance (Ohms) | 4 |
| Power Handling (Watts-RMS/Peak) | 150 / 300 |
| Internal Box Volume (ft ³ /liter) | 1.35 (38.23L) |
| Overall Dimensions (HxWxD) (cm) | 15.5" x 19.25" x 16.5" (39.4 x 48.9 x 41.9) |

PL1-212 (Dual 12" SVC)

| | |
|--|---|
| Nominal Impedance (Ohms) | 4 (8x2) |
| Power Handling (Watts-RMS/Peak) | 300 / 600 |
| Internal Box Volume (ft ³ /liter) | 2.70 (59.46L) |
| Overall Dimensions (HxWxD) (cm) | 15.5" x 34" x 16.5" (39.4 x 86.4 x 41.9) |

PL2-110 (Single 10" SVC)

| | |
|--|--|
| Nominal Impedance (Ohms) | 4 |
| Power Handling (Watts-RMS/Peak) | 200 / 400 |
| Internal Box Volume (ft ³ /liter) | 1.05 (29.73L) |
| Overall Dimensions (HxWxD) (cm) | 13.5" x 17.25" x 16" (34.3 x 43.8 x 40.6) |

PL2-210 (Dual 10" SVC)

| | |
|--|--|
| Nominal Impedance (Ohms) | 4 (8x2) |
| Power Handling (Watts-RMS/Peak) | 400 / 800 |
| Internal Box Volume (ft ³ /liter) | 2.10 (59.46L) |
| Overall Dimensions (HxWxD) (cm) | 13.5" x 31.25" x 16" (34.3 x 81.9 x 40.6) |

PL2-112 (Single 12" SVC)

| | |
|--|--|
| Nominal Impedance (Ohms) | 4 |
| Power Handling (Watts-RMS/Peak) | 200 / 400 |
| Internal Box Volume (ft ³ /liter) | 1.35 (38.23L) |
| Overall Dimensions (HxWxD) (cm) | 15.5" x 19.25" x 16.5" (39.4 x 48.9 x 41.9) |

PL2-212 (Dual 12" SVC)

| | |
|--|---|
| Nominal Impedance (Ohms) | 4 (8x2) |
| Power Handling (Watts-RMS/Peak) | 400 / 800 |
| Internal Box Volume (ft ³ /liter) | 2.70 (59.46L) |
| Overall Dimensions (HxWxD) (cm) | 15.5" x 34" x 16.5" (39.4 x 86.4 x 41.9) |

PL3-110 (Single 10" DVC)

| | |
|--|--|
| Nominal Impedance (Ohms) | 4 (2x2) |
| Power Handling (Watts-RMS/Peak) | 400 / 800 |
| Internal Box Volume (ft ³ /liter) | 1.05 (16.99L) |
| Overall Dimensions (HxWxD) (cm) | 13.5" x 17.25" x 16" (34.3 x 43.8 x 40.6) |

PL3-210 (Dual 10" DVC)

| | |
|--|--|
| Nominal Impedance (Ohms) | 4 (8x2) |
| Power Handling (Watts-RMS/Peak) | 800 / 1600 |
| Internal Box Volume (ft ³ /liter) | 2.10 (59.46L) |
| Overall Dimensions (HxWxD) (cm) | 13.5" x 31.25" x 16" (34.3 x 81.9 x 40.6) |

PL3-112 (Single 12" DVC)

| | |
|--|--|
| Nominal Impedance (Ohms) | 4 (2x2) |
| Power Handling (Watts-RMS/Peak) | 500 / 1000 |
| Internal Box Volume (ft ³ /liter) | 1.35 (38.23L) |
| Overall Dimensions (HxWxD) (cm) | 15.5" x 19.25" x 16.5" (39.4 x 48.9 x 41.9) |

PL3-212 (Dual 12" DVC)

| | |
|--|---|
| Nominal Impedance (Ohms) | 4 (8x2) |
| Power Handling (Watts-RMS/Peak) | 1000 / 2000 |
| Internal Box Volume (ft ³ /liter) | 2.70 (59.46L) |
| Overall Dimensions (HxWxD) (cm) | 15.5" x 34" x 16.5" (39.4 x 86.4 x 41.9) |

