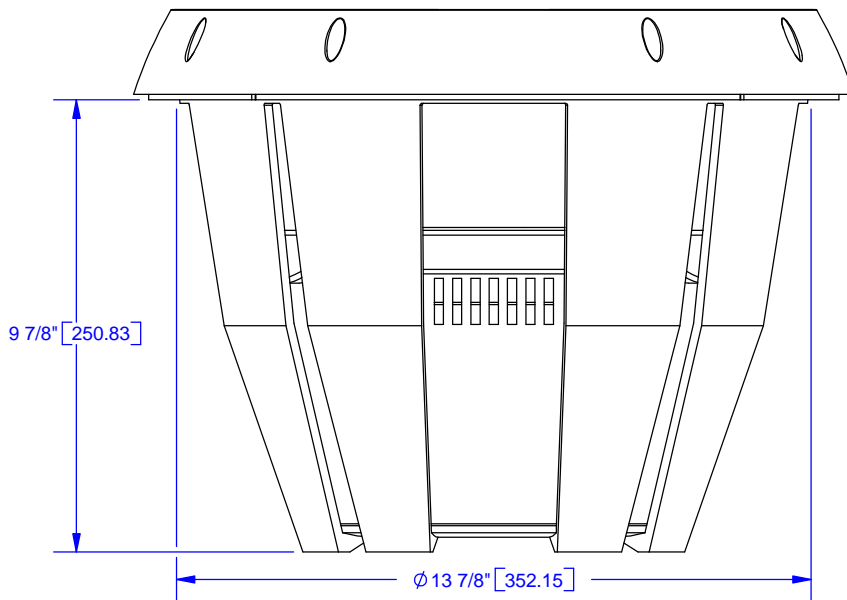


Ø 14 11/16" [373.79] MOUNTING HOLE DIAMETER



# TECHNICAL SPECIFICATIONS

	T215D2	T215D4
PRODUCT NAME	T215D2	T215D4
NOMINAL DIAMETER	15" [381]	15" [381]
MAGNET WEIGHT	292 oz (8278 g)	292 oz (8278 g)
FREQUENCY RANGE	24 Hz-250 Hz	25 Hz-250 Hz
VOICE COIL DIAMETER	4" [102]	4" [102]
VOICE COIL WINDING WIDTH	1.97" [50]	1.95" [50]
VOICE COIL FORMER MATERIAL	ALUMINUM	ALUMINUM
NOMINAL IMPEDANCE	(2) 2 Ohms	(2) 4 Ohms
DC RESISTANCE (Re)	3.6	7.2 Ohms
VOICE COIL INDUCTANCE	3.8 mH	5.5 mH
RESONANCE FREQUENCY (Fs)	24 Hz	25 Hz
MECHANICAL Q FACTOR (Qms)	5.02	4.98
ELECTRICAL Q FACTOR (Qes)	0.44	0.48
TOTAL Q FACTOR (Qts)	0.41	0.43
COMPLIANCE (Cms)	1.10E-04 m/N	1.09E-04 m/N
EQUIVALENT AIR VOLUME (Vas)	3.123 FT^3 (88.4 LITERS)	3.123 FT^3 (88.4 LITERS)
MOVING MASS (Mms)	13.64 oz (386.8 g)	13.01 oz (368.8 g)
MECH. RESIST. LOSSES (Rms)	11.80 kg/s	11.62 kg/s
SENSITIVITY (SPL) W/M	87 dB	87 dB
FORCE FACTOR (BL)	22.0 T-m	29.6 T-m
EFFECTIVE CONE AREA (SD)	116 in^2 (0.075 m^2)	116 in^2 (0.075 m^2)
LINEAR EXCURSION (X-MAX)	0.75" [19]	0.75" [19]
OPERATING POWER (PE)	1000 W RMS/2000 W PEAK	1000 W RMS/2000 W PEAK
EFF. BANDWIDTH PROD. (EBP)	55	52
MOTOR CONSTANT (Krm)	84.30 mOhms	89.41 mOhms
MOTOR CONSTANT (Erm)	0.619	0.667
MOTOR CONSTANT (Kxm)	363.04 mH	710.96 mH
MOTOR CONSTANT (Exm)	0.478	0.451
MOTOR IMPEDANCE (Rem)	18.92 Ohms	30.53 Ohms

THIELE-SMALL MEASUREMENTS MADE WITH VOICE COILS IN SERIES.

SPECIFICATIONS MAY VARY PER MANUFACTURING TOLERANCES AND ARE SUBJECT TO IMPROVEMENT WITHOUT NOTICE.

DESCRIPTION:		15 INCH POWER STAGE 2 WOOFER		RELEASE & DATE:	#1 (5-11-04)
ENGINEER:	DATE:	5-11-04	SCALE:	1:4	CREATED IN SOLIDWORKS
DOC CON:	SHEET:	1 OF 1	UNITS:	INCHES [MILLIMETERS]	ROCKFORD ACOUSTIC DESIGNS 3056 WALKER RIDGE DRIVE SUITE G WALKER, MI 49544