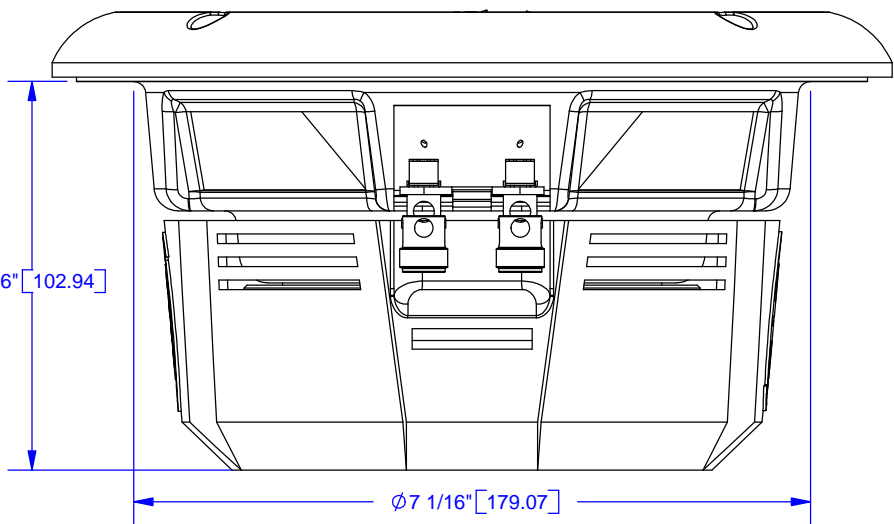


Ø 8 3/4" [222.25]

Ø 7 3/4" [196.85] MOUNTING HOLE DIAMETER



4 1/16" [102.94]

Ø 7 1/16" [179.07]

TECHNICAL SPECIFICATIONS

PRODUCT NAME	P28S4	P28S8
NOMINAL DIAMETER	8" [203]	8" [203]
MAGNET WEIGHT	28 oz (794 g)	28 oz (794 g)
FREQUENCY RANGE	40 Hz-250 Hz	43 Hz-250 Hz
VOICE COIL DIAMETER	2" [51]	2" [51]
VOICE COIL WINDING WIDTH	1.00" [25.4]	1.00" [25.4]
VOICE COIL FORMER MATERIAL	ALUMINUM	ALUMINUM
NOMINAL IMPEDANCE	4 Ohms	8 Ohms
DC RESISTANCE (Re)	3.5 Ohms	7.0 Ohms
VOICE COIL INDUCTANCE	2.4 mH	3.6 mH
RESONANCE FREQUENCY (Fs)	40 Hz	43 Hz
MECHANICAL Q FACTOR (Qms)	6.73	6.15
ELECTRICAL Q FACTOR (Qes)	0.44	0.51
TOTAL Q FACTOR (Qts)	0.42	0.47
COMPLIANCE (Cms)	1.83E-04 m/N	1.83E-04 m/N
EQUIVALENT AIR VOLUME (Vas)	0.371 FT^3 (10.5 LITERS)	0.371 FT^3 (10.5 LITERS)
MOVING MASS (Mms)	3.01oz (85.4 g)	2.64 oz (74.9 g)
MECH. RESIST. LOSSES (Rms)	3.21 kg/s	3.28 kg/s
SENSITIVITY (SPL) W/M	84 dB	84 dB
FORCE FACTOR (BL)	13.0 T-m	16.5 T-m
EFFECTIVE CONE AREA (SD)	31 in^2 (0.020 m^2)	31 in^2 (0.020 m^2)
LINEAR EXCURSION (X-MAX)	0.32" [8]	0.32" [8]
OPERATING POWER (PE)	200 W RMS/400 W PEAK	200 W RMS/400 W PEAK
EFF. BANDWIDTH PROD. (EBP)	91	84
MOTOR CONSTANT (K _{rm})	15.07 mOhms	21.53 mOhms
MOTOR CONSTANT (E _{rm})	0.736	0.750
MOTOR CONSTANT (K _{xm})	78.08 mH	126.93 mH
MOTOR CONSTANT (E _{xm})	0.604	0.594
MOTOR IMPEDANCE (R _{em})	9.40 Ohms	15.20 Ohms

SPECIFICATIONS MAY VARY PER MANUFACTURING TOLERANCES AND ARE SUBJECT TO IMPROVEMENT WITHOUT NOTICE.

DESCRIPTION:		8 INCH PUNCH STAGE 2 WOOFERS		RELEASE & DATE:	#1 (4-22-04)
ENGINEER:	DATE:	4-22-04	SCALE:	1:2	CREATED IN SOLIDWORKS
DOC CON:	SHEET:	1 OF 1	UNITS:	INCHES [MILLIMETERS]	ROCKFORD ACOUSTIC DESIGNS
				3056 WALKER RIDGE DRIVE SUITE G WALKER, MI 49544	