

# Rockford Fosgate®

## PUNCH™

### SVC - SINGLE VOICE COIL WOOFERS

**PI8S4**

**PI8S8**

**PI10S4**

**PI10S8**

**PI12S4**

**PI12S8**

**PI15S4**

**PI15S8**

**P28S4**

**P28S8**

**P210S4**

**P210S8**

**P212S4**

**P212S8**

**P215S4**

**P215S8**

## Installation & Operation

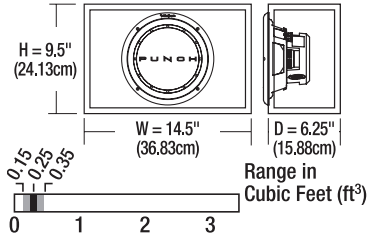
Installation et fonctionnement  
Instalación y funcionamiento  
Einbau und Betrieb  
Installazione e funzionamento

# INSTALLATION REFERENCE

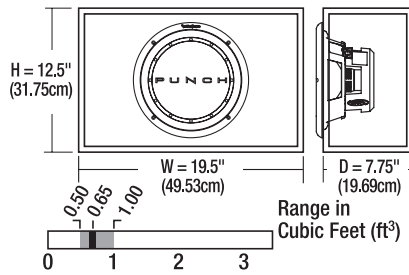
- CAUTION:** Before installation, disconnect the battery negative (-) terminal to prevent damage to the unit, fire and/or possible injury.
- MISE EN GARDE :** avant d'entamer l'installation, déconnectez la broche négative (-) de la batterie pour éviter tout risque de blessures, d'incendie ou de dommages à l'appareil.
- PRECAUCIÓN:** Antes de la instalación, desconecte el terminal negativo de la batería (-) para prevenir daño a la unidad, incendio y/o posibles lesiones.
- VORSICHT:** Entfernen Sie vor dem Einbau den negative Batteriepol, um Schäden am Gerät, Feuer bzw. mögliche Verletzungen zu vermeiden.
- ATTENZIONE:** Prima dell'installazione, scollegate il terminale negativo (-) della batteria per evitare danni all'unità, pericoli d'incendio e/o potenziali lesioni personali.

## SEALED ENCLOSURES

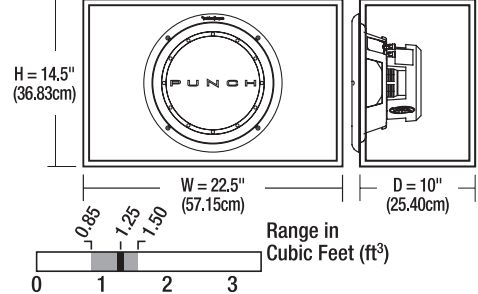
P18S4 / P18S8 / P28S4 / P28S8  
Recommended Sealed .25ft<sup>3</sup> (7.08L)



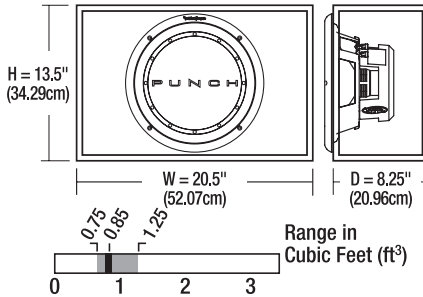
P110S4 / P110S8 / P210S4 / P210S8  
Recommended Sealed .65ft<sup>3</sup> (18.41L)



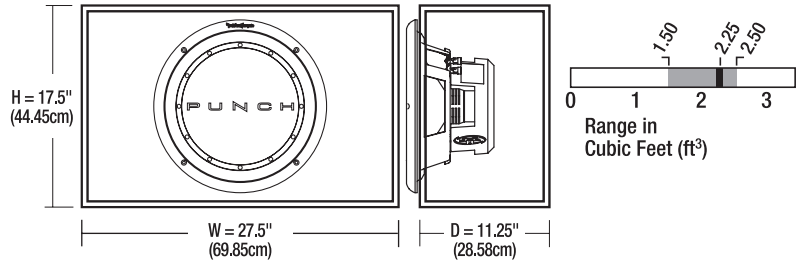
P112S4 / P112S8  
Recommended Sealed 1.25ft<sup>3</sup> (35.40L)



P212S4 / P212S8  
Recommended Sealed .85ft<sup>3</sup> (24.07L)



P115S4 / P115S8 / P215S4 / P215S8 Recommended Sealed 2.25ft<sup>3</sup> (63.71L)



## CALCULATING VOLUMES

Calculating volume is merely a matter of measuring the internal dimensions in inches and using the formula:

$$\text{Box Volume} = \frac{\text{Height "x Width" x Depth}}{\text{(cubic feet) } 1728}$$

### FRANÇAIS

On calcule le volume en mesurant la dimension de chaque côté et en utilisant la formule suivante:

$$\text{Volume du caisson} = \frac{\text{Hauteur (cm) x Longueur (cm) x Largeur (cm)}}{\text{(Litres) } 1000}$$

### ESPAÑOL

Para calcular el volumen sólo se han de medir las dimensiones en centímetros y aplicar la fórmula:

$$\text{Volumen du la caja} = \frac{\text{Alto(cm) x Ancho(cm) x Profundidad(cm)}}{\text{(en litros) } 1000}$$

### ITALIANO

Calcolare il volume é essenzialmente solo un problema di misurazione delle dimensioni in centimetri della cassa e di applicazione della formula:

$$\text{Volume della cassa} = \frac{\text{Alteza(cm) x Larghezza(cm) x Profondità(cm)}}{\text{(litri) } 1000}$$

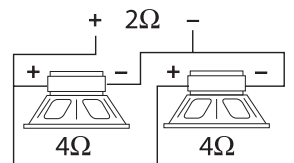
### DEUTSCH

Zur Volumen-Berechnung benötigen sie die genauen Maße und Dimensionen in Zentimetern.

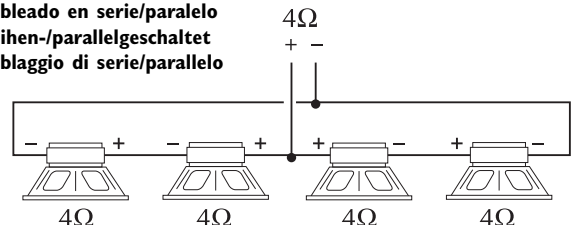
$$\text{Gehäuse-Volumen} = \frac{\text{Höhe (cm) x Breite (cm) x Tiefe (cm)}}{\text{(Liter) } 1000}$$

## WIRING CONFIGURATIONS

Parallel Wiring  
Câblage en parallèle  
Cableado en paralelo  
Parallelgeschaltet  
Cablaggio di parallelo



Series/Parallel Wiring  
Câblage/en série/parallèle  
Cableado en serie/paralelo  
Reihen-/parallelgeschaltet  
Cablaggio di serie/parallelo

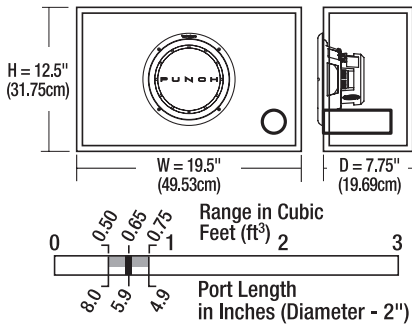


Check our website for updates on your products.  
[www.RockfordFosgate.com](http://www.RockfordFosgate.com)

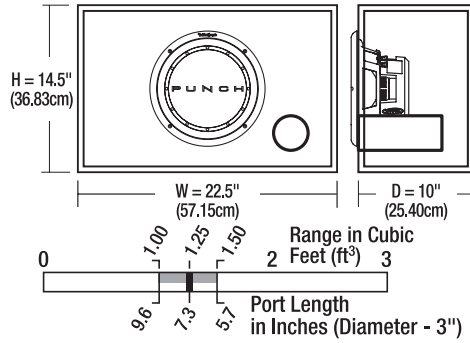
# INSTALLATION REFERENCE

## VENTED ENCLOSURES

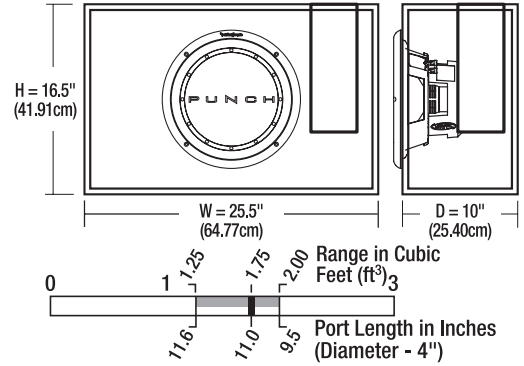
P18S4/P18S8/P28S4/P28S8  
Recommended Vented .65ft<sup>3</sup> (18.11L)  
Recommended Port 2"x 5.9"



P110S4/P110S8/P210S4/P210S8  
Recommended Vented 1.25ft<sup>3</sup> (35.40L)  
Recommended Port 3"x 7.3"



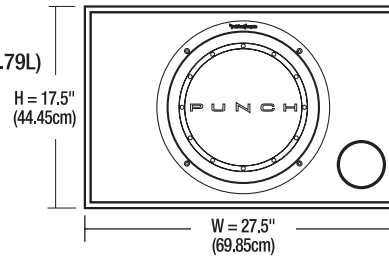
P112S4/P112S8/P212S4/P212S8  
Recommended Vented 1.75ft<sup>3</sup> (49.55L)  
Recommended Port 4"x 11"



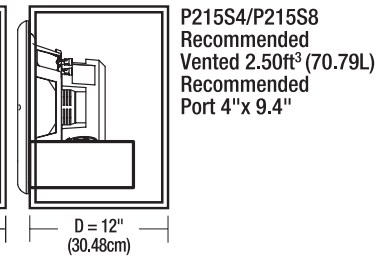
**NOTE:** All recommended volumes are TOTAL internal volume, before any speaker and/or port displacement. All external dimensions were based on the use of 3/4" materials.

**NOTE:** When using enclosures other than specified, call Technical Support for correct application.

P115S4/P115S8  
Recommended Vented 2.50ft<sup>3</sup> (70.79L)  
Recommended Port 4"x 9"



P215S4/P215S8  
Recommended Vented 2.50ft<sup>3</sup> (70.79L)  
Recommended Port 4"x 9.4"



## SPECIFICATIONS

Model - Punch SVC	P18S4	P18S8	P110S4	P110S8	P112S4	P112S8	P115S4	P115S8
Nominal Impedance (ohms)	4	8	4	8	4	8	4	8
Voice Coil Diameter-inch (mm)	1.5 (38.1)	1.5 (38.1)	1.5 (38.1)	1.5 (38.1)	1.5 (38.1)	1.5 (38.1)	2.0 (50.8)	2.0 (50.8)
FS (Hz)	35	36	30	31	25	26	22	23
QTS	0.518	0.538	0.513	0.524	0.594	0.624	0.680	0.697
VAS-cu.ft. (liter)	0.565 (16)	0.565 (16)	1.766 (50)	1.766 (50)	3.779 (107)	3.779 (107)	8.829 (250)	8.829 (250)
Xmax-inch (mm)	0.276 (7.0)	0.276 (7.0)	0.303 (7.7)	0.303 (7.7)	0.303 (7.7)	0.303 (7.7)	0.315 (8.0)	0.315 (8.0)
SPL (dB @ 1w/1m)	83.0	83.0	85.5	85.5	86.0	86.0	87.0	87.0
Power Handling (RMS)	150	150	150	150	150	150	200	200
Power Handling (Max)	300	300	300	300	300	300	400	400
Mounting Dia.-inch (mm)	7-1/16 (179.38)	7-1/16 (179.38)	9-1/4 (234.95)	9-1/4 (234.95)	11-1/8 (282.58)	11-1/8 (282.58)	13-7/8 (352.43)	13-7/8 (352.43)
Mounting Depth-inch (mm)	4-1/16 (103.19)	4-1/16 (103.19)	5-3/16 (131.76)	5-3/16 (131.76)	5-5/8 (142.88)	5-5/8 (142.88)	7-1/8 (180.98)	7-1/8 (180.98)
Speaker Dis.-cu. ft. (liter)	0.020 (0.508)	0.020 (0.508)	0.034 (0.864)	0.034 (0.864)	0.042 (1.067)	0.042 (1.067)	0.077 (1.956)	0.077 (1.956)
Sealed Box Vol.-cu. ft. (liter)	0.25 (7.08)	0.25 (7.08)	0.65 (18.41)	0.65 (18.41)	1.25 (35.40)	1.25 (35.40)	2.25 (63.71)	2.25 (63.71)
Vented Box Vol.-cu. ft. (liter)	0.65 (18.41)	0.65 (18.41)	1.25 (35.40)	1.25 (35.40)	1.75 (49.55)	1.75 (49.55)	2.50 (70.79)	2.50 (70.79)
Port Diameter & Length (in.)	(1) 2 x 5.9	(1) 2 x 5.9	(1) 3 x 7.3	(1) 3 x 7.3	(1) 4 x 11	(1) 4 x 11	(1) 4 x 9	(1) 4 x 9
Port Diameter & Length (cm)	(1) 5.08 x 14.99	(1) 5.08 x 14.99	(1) 7.62 x 18.54	(1) 7.62 x 18.54	(1) 10.16 x 27.94	(1) 10.16 x 27.94	(1) 10.16 x 22.86	(1) 10.16 x 22.86

Number of ports noted in ( )

Specifications subject to change without notice

Model - Punch SVC	P28S4	P28S8	P210S4	P210S8	P212S4	P212S8	P215S4	P215S8
Nominal Impedance (ohms)	4	8	4	8	4	8	4	8
Voice Coil Diameter-inch (mm)	2.0 (50.8)	2.0 (50.8)	2.0 (50.8)	2.0 (50.8)	2.0 (50.8)	2.0 (50.8)	2.0 (50.8)	2.0 (50.8)
FS (Hz)	35	36	28	29	25	26	21	22
QTS	0.491	0.515	0.437	0.500	0.488	0.526	0.560	0.578
VAS-cu.ft. (liter)	0.565 (16)	0.565 (16)	1.483 (42)	1.483 (42)	3.426 (97)	3.426 (97)	8.829 (250)	8.829 (250)
Xmax-inch (mm)	0.315 (8.0)	0.315 (8.0)	0.433 (11.0)	0.433 (11.0)	0.433 (11.0)	0.433 (11.0)	0.433 (11.0)	0.433 (11.0)
SPL (dB @ 1w/1m)	84.0	84.0	85.8	85.8	86.0	86.0	87.5	87.5
Power Handling (RMS)	200	200	200	200	200	200	250	250
Power Handling (Max)	400	400	400	400	400	400	500	500
Mounting Dia.-inch (mm)	7-1/16 (179.38)	7-1/16 (179.38)	9-1/4 (234.95)	9-1/4 (234.95)	11-1/8 (282.58)	11-1/8 (282.58)	13-7/8 (352.43)	13-7/8 (352.43)
Mounting Depth-inch (mm)	4 (101.60)	4 (101.60)	5-5/8 (142.88)	5-5/8 (142.88)	6-1/16 (153.98)	6-1/16 (153.98)	7-3/8 (187.33)	7-3/8 (187.33)
Speaker Dis.-cu. ft. (liter)	0.024 (0.610)	0.024 (0.610)	0.040 (1.016)	0.040 (1.016)	0.049 (1.245)	0.049 (1.245)	0.076 (1.930)	0.076 (1.930)
Sealed Box Vol.-cu. ft. (liter)	0.25 (7.08)	0.25 (7.08)	0.65 (18.41)	0.65 (18.41)	0.85 (24.07)	0.85 (24.07)	2.25 (63.71)	2.25 (63.71)
Vented Box Vol.-cu. ft. (liter)	0.65 (18.41)	0.65 (18.41)	1.25 (35.40)	1.25 (35.40)	1.75 (49.55)	1.75 (49.55)	2.50 (70.79)	2.50 (70.79)
Port Diameter & Length (in.)	(1) 2 x 5.9	(1) 2 x 5.9	(1) 3 x 7.3	(1) 3 x 7.3	(1) 4 x 11	(1) 4 x 11	(1) 4 x 9.4	(1) 4 x 9.4
Port Diameter & Length (cm)	(1) 5.08 x 14.99	(1) 5.08 x 14.99	(1) 7.62 x 18.54	(1) 7.62 x 18.54	(1) 10.16 x 27.94	(1) 10.16 x 27.94	(1) 10.16 x 23.88	(1) 10.16 x 23.88

Number of ports noted in ( )

Specifications subject to change without notice

# LIMITED WARRANTY INFORMATION



Rockford Corporation offers a limited warranty on Rockford Fosgate products on the following terms:

## **Length of Warranty**

**Source Units, Speakers, Signal Processors and PUNCH Amplifiers – 1 Year**

**POWER Amplifiers – 2 Years    Type RF Amplifiers – 3 Years**

**Any Factory Refurbished Product – 90 days (receipt required)**

## **What is Covered**

This warranty applies only to Rockford Fosgate products sold to consumers by Authorized Rockford Fosgate Dealers in the United States of America or its possessions. Product purchased by consumers from an Authorized Rockford Fosgate Dealer in another country are covered only by that country's Distributor and not by Rockford Corporation.

## **Who is Covered**

This warranty covers only the original purchaser of Rockford product purchased from an Authorized Rockford Fosgate Dealer in the United States. In order to receive service, the purchaser must provide Rockford with a copy of the receipt stating the customer name, dealer name, product purchased and date of purchase.

Products found to be defective during the warranty period will be repaired or replaced (with a product deemed to be equivalent) at Rockford's discretion.

## **What is Not Covered**

1. Damage caused by accident, abuse, improper operations, water, theft, shipping
2. Any cost or expense related to the removal or reinstallation of product
3. Service performed by anyone other than Rockford or an Authorized Rockford Fosgate Service Center
4. Any product which has had the serial number defaced, altered, or removed
5. Subsequent damage to other components
6. Any product purchased outside the U.S.
7. Any product not purchased from an Authorized Rockford Fosgate Dealer

## **Limit on Implied Warranties**

Any implied warranties including warranties of fitness for use and merchantability are limited in duration to the period of the express warranty set forth above. Some states do not allow limitations on the length of an implied warranty, so this limitation may not apply. No person is authorized to assume for Rockford Fosgate any other liability in connection with the sale of the product.

## **How to Obtain Service**

Contact the Authorized Rockford Fosgate Dealer you purchased this product from.

If you need further assistance, call 1-800-669-9899 for Rockford Customer Service. You must obtain an RA# (Return Authorization number) to return any product to Rockford Fosgate. You are responsible for shipment of product to Rockford.

## **EU Warranty**

This product meets the current EU warranty requirements, see your Authorized dealer for details.

Ship to: **Electronics**  
Rockford Corporation  
Warranty Repair Department  
2055 E. 5th Street  
Tempe, AZ 85281  
RA#: \_\_\_\_\_

Ship to: **Speakers**  
Rockford Acoustic Design  
Speaker Returns  
3056 Walker Ridge Dr. Suite G.  
Walker, MI 49544  
RA#: \_\_\_\_\_