

PARA-PUNCH REMOTE BASS

Mounting and installation

1. Find a location that gives easy access to the remote.

NOTE: You can mount this unit in a variety of ways. Remove the back housing by using a small flat screwdriver in the slotted hole at the back. The housing can be installed with the mounting tab up or down, or left off for in panel installation.

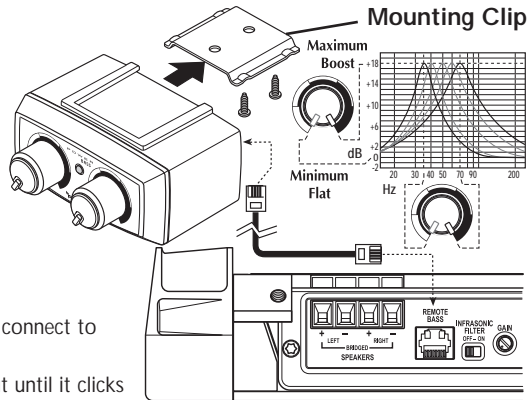
2. Route the cable for the remote and connect to the amplifier.

Outside Panel Install

3. Using the screws supplied, install the mounting clip.
4. Slip the remote onto the mounting clip until it snaps into place.
5. Connect the cable to the remote.

Panel Install

6. Cut out a 2"x 7/8" hole in the panel, with a maximum panel thickness of 3/8". Ensure there is enough room within the panel area for connection.
7. Route the cable through the hole and connect to the remote.
8. Press the remote into the panel cutout until it clicks in place.



Operation

9. Left Knob-Bass Boost Control: Turn clockwise to boost amplifier bass frequencies.

CAUTION: Overexcursion and subsequent damage may occur at high levels of boost

10. Right Knob-Center Frequency Control: Turn clockwise to select the center frequency desired (35Hz-70Hz).

