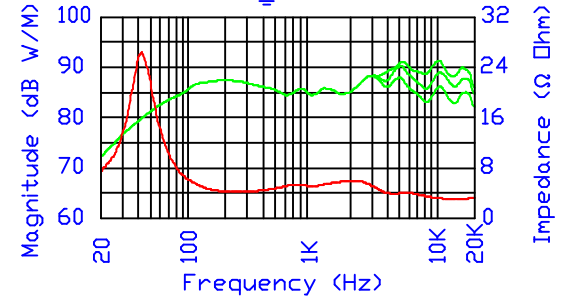
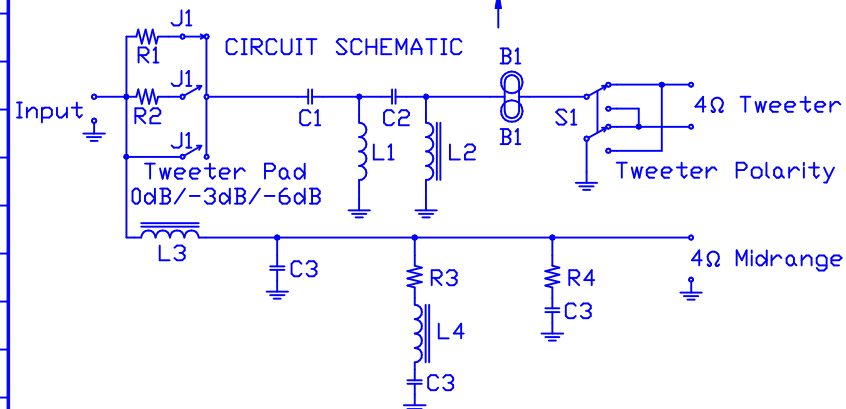
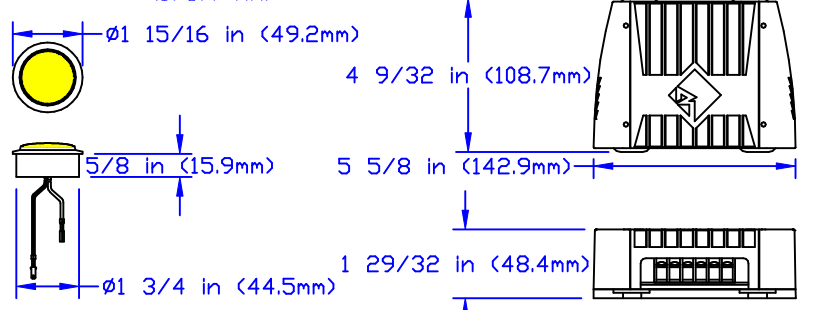
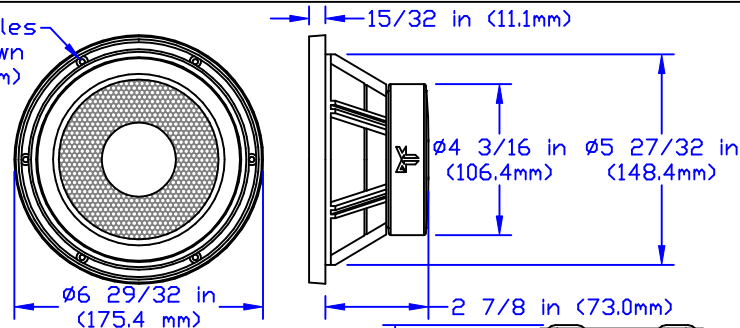



(6) $\varnothing 5/32$ in (4.0 mm) Holes
Equally Spaced As Shown
On $\varnothing 6 9/32$ in (159.5 mm)
Mtg Dia

TECHNICAL DATA		FNQ1614	
Tweeters/Midranges	(2) FNQ1401	(2) FNQ1406	
Nominal Diameter	1 3/4 in [44.45 mm]	6 1/2 in [165.1 mm]	
Magnet Weight	.21oz [6g]	19.4oz [550g]	
Frequency Range	1.9-20kHz	45.5kHz	
Nominal Impedance	4 Ω	4 Ω	
DC Resistance (Re)	3.7 Ω	3.8 Ω	
Resonance Frequency (fs)	1900Hz	45Hz	
Mechanical Q Factor (Qms)	N/A	2.58	
Electrical Q Factor (Qes)	N/A	0.34	
Total Q Factor (Qts)	N/A	0.30	
Effective Cone Area (Sd)	N/A	20.15 in ² [0.013m ²]	
Equivalent Air Volume (Vas)	N/A	0.756 ft ³ [21.4L]	
Compliance (Cms)	N/A	8.45E-04	
Moving Mass (Mms)	N/A	.59oz [16.6g]	
Voice Coil Diameter	.75 in [19.05 mm]	1 1/4 in [31.8 mm]	
Voice Coil Winding Height	.06 in [1.524 mm]	.599 in [15.215 mm]	
Voice Coil Former Material	Aluminum	3 Mil Aluminum	
Voice Coil Inductance	0.10mH	0.70mH	
Force Factor (Bl)	N/A	7.1Tm	
Linear Excursion (Xmax)	N/A	0.17 in [4.4 mm]	
Sensitivity (Spl)	90dB	89dB	
Operating Power (Pe)	100W RMS	100W RMS	
Filter Networks	(2) FNQ142x		
Specifications May Vary Per Manufacturing Tolerances And Are Subject To Improvement Without Notice.			



PRODUCT(S): FNQ1614		RELEASE: #1
DATE: MAY 13, 1998	TOLERANCE: N/A	SCALE: 3/16xFULL
PART NAME: FANATIC Q SYSTEM KIT		DRWN BY:
		APPR BY:



Rockford Acoustic Designs
609 Myrtle North West
Grand Rapids, MI 49504
Phone: 616-456-9528
Fax: 616-456-5648

AutoCad R.14