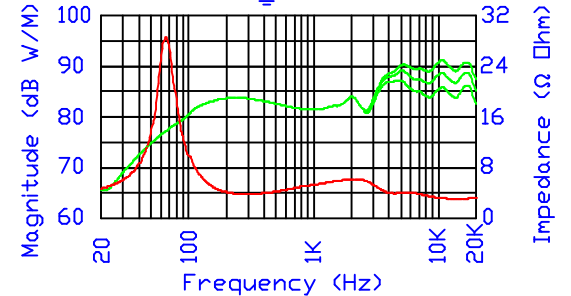
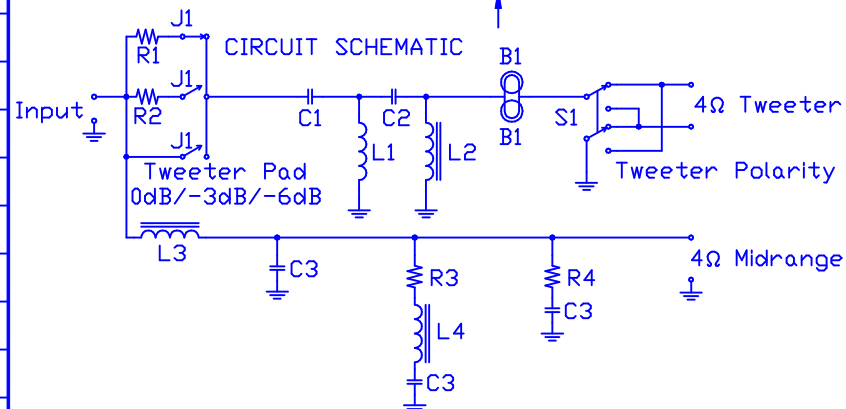
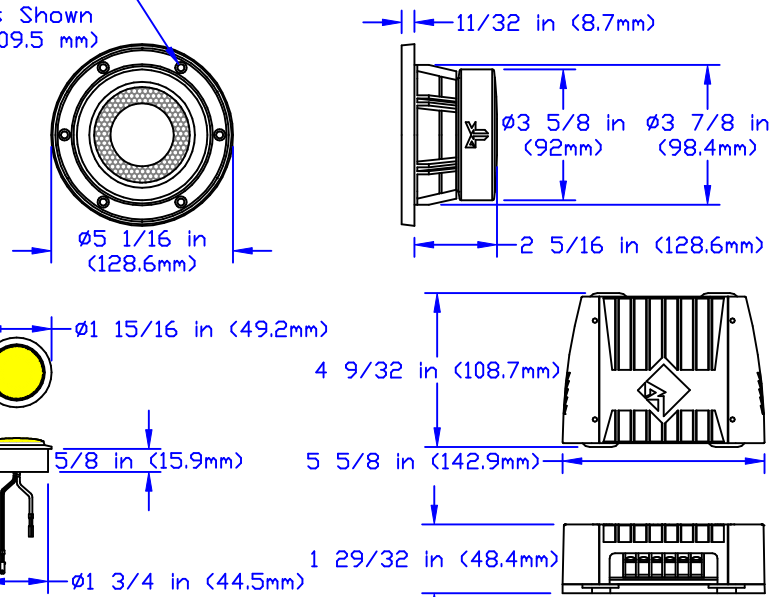



(6) $\varnothing 3/16$ in (4.8 mm) Holes
Equally Spaced As Shown
On $\varnothing 4 5/16$ in (109.5 mm)
Mtg Dia.

TECHNICAL DATA	FNQ1414	
Tweeters/Midranges	(2) FNQ1401	(2) FNQ1404
Nominal Diameter	1 3/4 in [44.45 mm]	4 in [101.6 mm]
Magnet Weight	.21oz [6g]	13oz [369g]
Frequency Range	1.9-20kHz	70-7kHz
Nominal Impedance	4 Ω	4 Ω
DC Resistance (Re)	3.7 Ω	3.5 Ω
Resonance Frequency (fs)	1900Hz	70Hz
Mechanical Q Factor (Qms)	N/A	3.25
Electrical Q Factor (Qes)	N/A	0.44
Total Q Factor (Qts)	N/A	0.38
Effective Cone Area (Sd)	N/A	9.30 in ² [0.006m ²]
Equivalent Air Volume (Vas)	N/A	0.092 ft ³ [2.6L]
Compliance (Cms)	N/A	5.45E-04
Moving Mass (Mms)	N/A	.30oz [8.6g]
Voice Coil Diameter	.75 in [19.05 mm]	1 1/4 in [31.8 mm]
Voice Coil Winding Height	.06 in [1.524 mm]	.388 in [9.9 mm]
Voice Coil Former Material	Aluminum	3 Mil Aluminum
Voice Coil Inductance	0.10mH	0.66mH
Force Factor (Bl)	N/A	5.3Tm
Linear Excursion (Xmax)	N/A	0.14 in [3.6 mm]
Sensitivity (Spl)	90dB	85.9dB
Operating Power (Pe)	100W RMS	100W RMS
Filter Networks	(2) FNQ142x	
Specifications May Vary Per Manufacturing Tolerances And Are Subject To Improvement Without Notice.		



PRODUCT(S):	FNQ1414		RELEASE:	#1	 Rockford Acoustic Designs 609 Myrtle North West Grand Rapids, MI 49504 Phone: 616-456-9528 Fax: 616-456-5648
DATE: MAY 13, 1998	TOLERANCE: N/A	SCALE: 3/16xFULL	DRWN BY:		
PART NAME:	FANATIC Q SYSTEM KIT		APPR BY:		

AutoCad R.14