



**BOX THAT
ROCKS!**

BTR-82/BTR-83

BTR-103/BTR-123

BTR-153/BTR-2102

BTR-2122/BTR-2152

**WOOFER ENCLOSURES
OPERATION & INSTALLATION**



WARNING: READ THIS MANUAL BEFORE INSTALLING. FAILURE TO FOLLOW THE INSTRUCTIONS HEREIN COULD RESULT IN DETACHMENT OF THE ENCLOSURE AND SERIOUS INJURY.

Dear Customer,

Congratulations on your purchase of America's finest brand of car audio components. At Rockford Fosgate we are committed to musical reproduction at its best, and we are pleased you chose our product. Through years of engineering expertise, hand craftsmanship and critical testing procedures we have created a wide range of products that reproduce music with all the clarity and richness you deserve.

For maximum performance we recommend you have your new Rockford Fosgate product installed by an Authorized Rockford Fosgate Dealer, as we provide specialized training through Rockford Technical Training Institute (RTTI). Please read your warranty and retain your receipt and original carton for possible future use.

To add the finishing touch to your new Rockford Fosgate image order your Rockford accessories, which include everything from T-shirts and jackets to hats and sunglasses.

To get a free brochure on Rockford Fosgate products and Rockford accessories, please call 1-800-669-9899 or FAX 1-800-398-3985 in the U.S. For Canada, call Korbon Trading at 905-567-1920. For international orders FAX 001-1-602-967-8132 or call 001-1-602-967-3565.

PRACTICE SAFE SOUND™

CONTINUOUS EXPOSURE TO SOUND PRESSURE LEVELS OVER 100dB MAY CAUSE PERMANENT HEARING LOSS. HIGH POWERED AUTO SOUND SYSTEMS MAY PRODUCE SOUND PRESSURE LEVELS WELL OVER 130dB. USE COMMON SENSE AND PRACTICE SAFE SOUND.

If, after reading your manual, you still have questions regarding this product, we recommend that you see your Rockford Fosgate dealer. If you need further assistance, you can call us direct at 1-800-795-2385. Be sure to have your serial number, model number and date of purchase available when you call.

The serial number can be found on the outside of the box. Please be sure to record it in the space provided below as your permanent record. This will become useful in recovering your product if ever stolen and serve as verification of your factory warranty.

Serial Number: _____

Model Number: _____

TABLE OF CONTENTS

Introduction	1
BTR Design Goals	1
BTR Features	1
Woofer Features	1
Midrange/Tweeter Features	2
Enclosure Features	2
Enclosure Diagrams	3
Specifications	5
Warranty Information	6

GETTING STARTED

Welcome to Rockford Fosgate! This manual is designed to provide information for the owner, salesperson and installer. To accomplish this, the manual is divided into five main sections: Introduction, BTR Features, Enclosure Diagrams, Specifications and Warranty Information. For those of you who want quick information on how to install this product, please turn to the Enclosure Diagrams in the of this manual. Other information can be located by using the Table of Contents. We, at Rockford Fosgate, have worked very hard to make sure all the information in this manual is current. But, as we are constantly finding new ways to improve our product, this information is subject to change without notice.

INTRODUCTION

BTR Design Goals

The BTR Enclosures are designed to provide superior sonic performance from a pre-fabricated enclosure. These enclosures, designed and tested at Rockford Fosgate, can satisfy even the real “head banger” with their output capabilities while still providing the sound quality many have come to expect from Rockford Fosgate.

BTR FEATURES

Woofers Features

Black Anodized Aluminum Voice Coil Former

Because aluminum is an efficient thermal conductor, the black, anodized aluminum voice coil former keeps heat from concentrating in the voice coil during normal operation. This improves the thermal power handling capacity of the “Box That Rocks” speaker.

Vented Pole Piece

To allow operation at reasonably high power levels, ventilation is needed. This is done through the use of a vented pole piece. The venting allows fresh air to circulate and remove the built-up heat from the voice coil assembly.

PVA Treated Paper Cone

The cone is constructed from a lightweight, rigid paper material. The cone is treated with PolyVinyl Acetate which lowers the resonance and reduces distortion of the cone. The PVA also reduces damage from the harsh environmental conditions typical of a car interior.

Midrange/Tweeter Features

Tweeter Horn

The tweeter horn provides excellent high frequency response in an efficient design.

Enclosure Features

Carry Handles

These handles provide a convenient way to transport the enclosure to and from the vehicle.

Input Terminal Cups

The input terminal cup provides a quick and easy connection for the BTR enclosure to the amplifier.

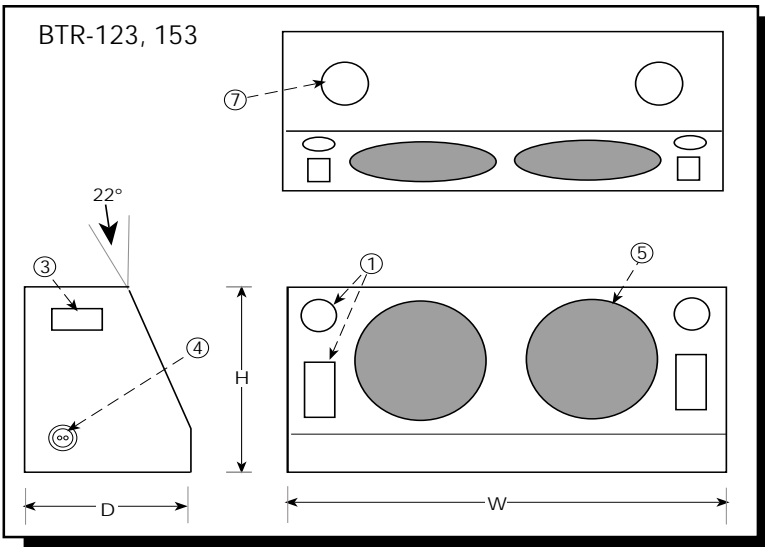
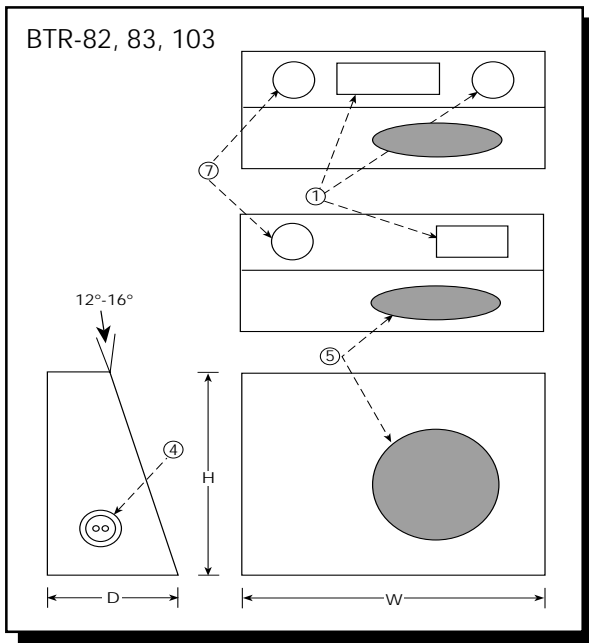
Speaker Grilles

The grilles protect the woofers from possible puncture damage.

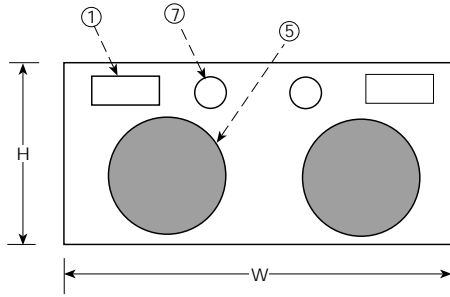
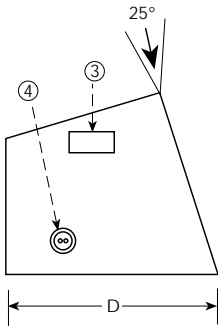
Port

The BTR enclosures utilize tuning ports to increase their output efficiency. For maximum performance it is important not to block the airflow from the port as it will degrade sound quality.

ENCLOSURE DIAGRAMS



BTR-2102, 2122, 2152



SPECIFICATIONS

Model	PWR Handling (Watts)	Frequency Response (Hertz)	Sensitivity (1w/dB/m)	Tuning Frequency (Hertz)	Height (in.)	Width (in.)	Depth (in.)
BTR-82*	150	58-20kHz	92dB	64Hz	13	17	7.25
BTR-83*	150	53-20kHz	92dB	61Hz	14	20	7.25
BTR-103*	150	50-20kHz	94dB	45Hz	15.5	20	7.5
BTR-123	150	48-20kHz	95dB	42Hz	16.75	36	14
BTR-153	225	45-20kHz	96dB	40Hz	19.5	42	16.25
BTR-2102	150	45-20kHz	94dB	42Hz	14	32	14.5
BTR-2122	150	43-20kHz	95dB	38Hz	17.25	32	18
BTR-2152	225	40-20kHz	96dB	33Hz	19.5	32	20.5

*BTR82, 83, 103 are shipped with a separate left and right enclosure.

LIMITED WARRANTY INFORMATION

Rockford Corporation offers a limited warranty on Rockford Fosgate products on the following terms:

- **Length of Warranty**

1 year on speakers	30 days on speaker B-stock (receipt required)
3 years on electronics	90 days on electronic B-stock (receipt required)
2 years on source units	

- **What is Covered**

This warranty applies only to Rockford Fosgate products sold to consumers by Authorized Rockford Fosgate Dealers in the United States of America or its possessions. Product purchased by consumers from an Authorized Rockford Fosgate Dealer in another country are covered only by that country's Distributor and not by Rockford Corporation.

- **Who is Covered**

This warranty covers only the original purchaser of Rockford product purchased from an Authorized Rockford Fosgate Dealer in the United States. In order to receive service, the purchaser must provide Rockford with a copy of the receipt stating the customer name, dealer name, product purchased and date of purchase.

- **Products found to be defective** during the warranty period will be repaired or replaced (with a product deemed to be equivalent) at Rockford's discretion.

- **What is Not Covered**

1. Damage caused by accident, abuse, improper operations, water, theft
2. Any cost or expense related to the removal or reinstallation of product
3. Service performed by anyone other than Rockford or an Authorized Rockford Fosgate Service Center
4. Any product which has had the serial number defaced, altered, or removed
5. Subsequent damage to other components
6. Any product purchased outside the U.S.
7. Any product not purchased from an Authorized Rockford Fosgate Dealer

- **Limit on Implied Warranties**

Any implied warranties including warranties of fitness for use and merchantability are limited in duration to the period of the express warranty set forth above. Some states do not allow limitations on the length of an implied warranty, so this limitation may not apply. No person is authorized to assume for Rockford Fosgate any other liability in connection with the sale of the product.

- **How to Obtain Service**

Please call 1-800-669-9899 for Rockford Customer Service. You must obtain an RA# (Return Authorization number) to return any product to Rockford Fosgate. You are responsible for shipment of product to Rockford.

Ship to: **Electronics**
Rockford Corporation
Warranty Repair Department
2055 E. 5th Street
Tempe, AZ 85281
RA#: _____

Ship to: **Speakers**
Rockford Acoustic Design
(Receiving-speakers)
609 Myrtle N.W.
Grand Rapids, MI 49504
RA#: _____

Rockford Fosgate
Rockford Corporation
546 South Rockford Drive
Tempe, Arizona 85281 U.S.A.
In U.S.A., (602) 967-3565
In Canada, call Korbon (905) 567-1920
In Europe, Fax (49) 4207-801250
In Japan, Fax (81) 559-79-1265