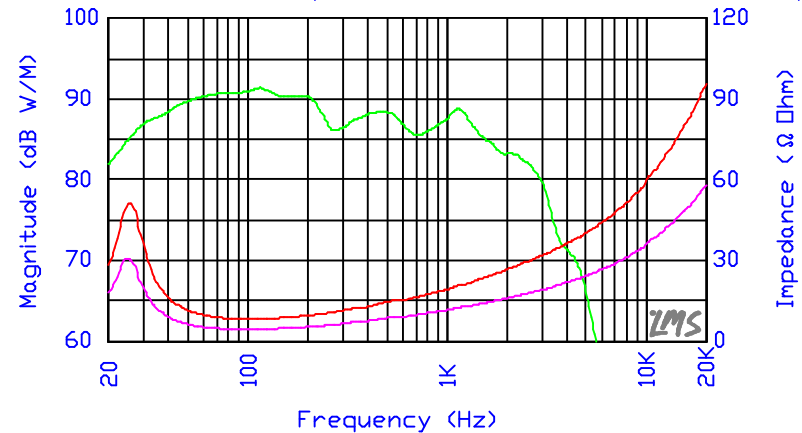
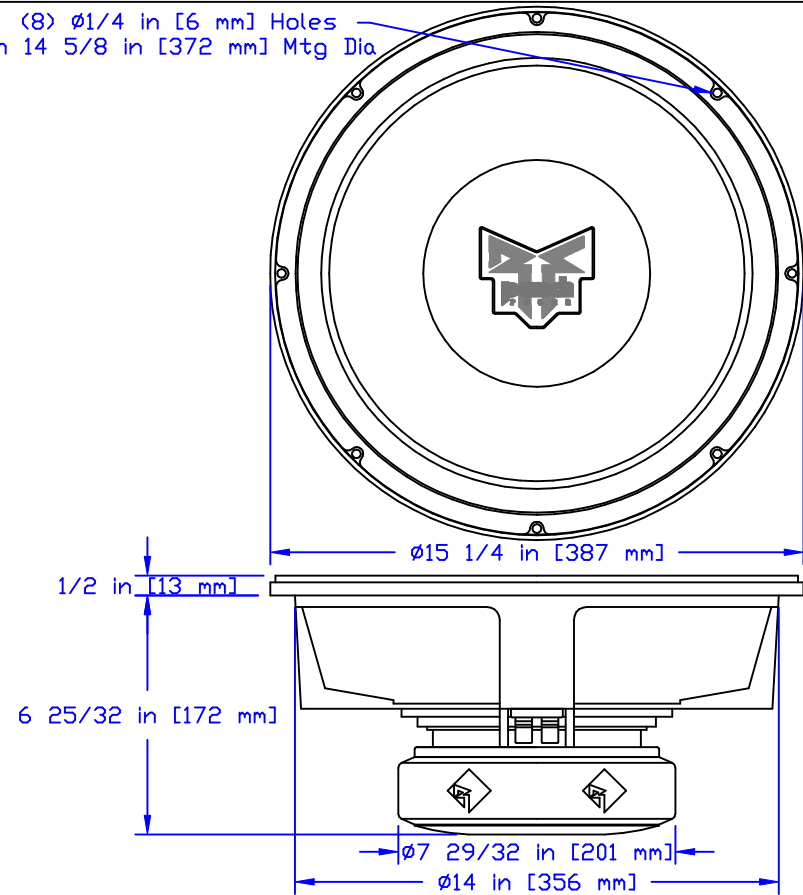


TECHNICAL DATA	RFR-1415	RFR-1815
Nominal Diameter	15 in [381 mm]	15 in [381 mm]
Magnet Weight	116oz [3,288.5g]	116oz [3,288.5g]
Frequency Range	23-1,000Hz	24-1,000Hz
Nominal Impedance	4 $\Omega$	8 $\Omega$
DC Resistance (Re)	3.8 $\Omega$	7.2 $\Omega$
Resonance Frequency (fs)	23Hz	24Hz
Mechanical Q Factor (Qms)	3.38	2.72
Electrical Q Factor (Qes)	0.43	0.50
Total Q Factor (Qts)	0.38	0.42
Effective Cone Area (Sd)	133.31 in <sup>2</sup> [0.086m <sup>2</sup> ]	133.31 in <sup>2</sup> [0.086m <sup>2</sup> ]
Equivalent Air Volume (Vas)	10.0671 ft <sup>3</sup> [285L]	10.0671 ft <sup>3</sup> [285L]
Compliance (Cms)	2.71E-04	2.71E-04
Moving Mass (Mms)	6.17oz [175g]	5.64oz [160g]
Voice Coil Diameter	4.00 in [101.6 mm]	4.00 in [101.6 mm]
Voice Coil Winding Height	1.00 in [25.4 mm]	1.00 in [25.4 mm]
Voice Coil Former Material	5 Mil Aluminum	5 Mil Aluminum
Voice Coil Inductance	1.30mH	1.80mH
Force Factor (Bl)	15.0Tm	18.7Tm
Linear Excursion (Xmax)	.24 in [6.2 mm]	.24 in [6.2 mm]
Sensitivity (Spl)	91dB	91dB
Operating Power (Pe)	600W RMS	600W RMS
Specifications May Vary Per Manufacturing Tolerances And Are Subject To Improvement Without Notice. Frequency Response Curve Shown Represents Both 4 $\Omega$ And 8 $\Omega$ Units. Upper (Red) Impedance Curve For 8 $\Omega$ Unit; Lower (Magenta) Impedance Curve For 4 $\Omega$ Unit.		

(8)  $\phi$ 1/4 in [6 mm] Holes  
On 14 5/8 in [372 mm] Mtg Dia



PART NO: RFR-1415	PART NAME: 15 IN POWER WOOFER	
RFR-1815	TOLERANCE: N/A	SCALE: NTS
RELEASE: #1 (NOV 14, 1996)	DRWN BY:	APPR BY:



Rockford Acoustic Designs  
609 Myrtle North West  
Grand Rapids, MI 49504  
Phone: 616-456-9528  
Fax: 616-456-5648