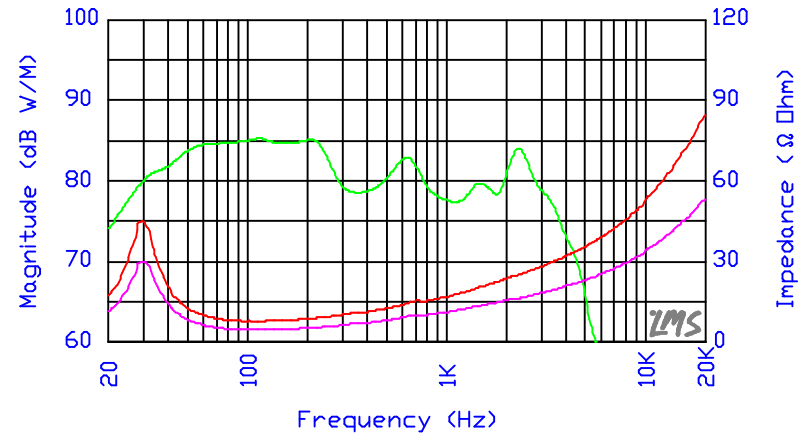
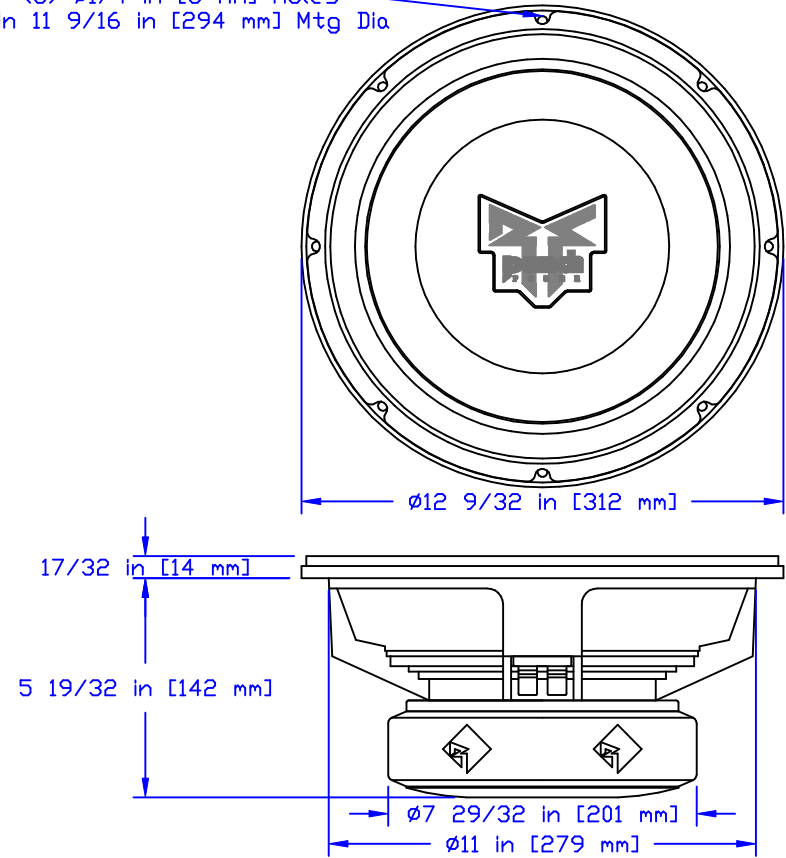


TECHNICAL DATA	RFR-1412	RFR-1812
Nominal Diameter	12 in [305 mm]	12 in [305 mm]
Magnet Weight	116oz [3,288.5g]	116oz [3,288.5g]
Frequency Range	26-1,000Hz	27-1,000Hz
Nominal Impedance	4 Ω	8 Ω
DC Resistance (Re)	3.9 Ω	7.1 Ω
Resonance Frequency (fs)	26Hz	27Hz
Mechanical Q Factor (Qms)	3.49	3.24
Electrical Q Factor (Qes)	0.43	0.51
Total Q Factor (Qts)	0.38	0.44
Effective Cone Area (Sd)	83.71 in ² [0.054m ²]	83.71 in ² [0.054m ²]
Equivalent Air Volume (Vas)	3.4970 ft ³ [99L]	3.4970 ft ³ [99L]
Compliance (Cms)	2.40E-04	2.40E-04
Moving Mass (Mms)	5.29oz [150g]	5.01oz [142g]
Voice Coil Diameter	4.00 in [101.6 mm]	4.00 in [101.6 mm]
Voice Coil Winding Height	1.00 in [25.4 mm]	1.00 in [25.4 mm]
Voice Coil Former Material	5 Mil Aluminum	5 Mil Aluminum
Voice Coil Inductance	1.30mH	1.80mH
Force Factor (Bl)	15.1Tm	18.4Tm
Linear Excursion (Xmax)	.24 in [6.2 mm]	.24 in [6.2 mm]
Sensitivity (Spl)	88dB	88dB
Operating Power (Pe)	600W RMS	600W RMS
Specifications May Vary Per Manufacturing Tolerances And Are Subject To Improvement Without Notice. Frequency Response Curve Shown Represents Both 4Ω And 8Ω Units. Upper (Red) Impedance Curve For 8Ω Unit; Lower (Magenta) Impedance Curve For 4Ω Unit.		

(8) Ø1/4 in [6 mm] Holes
On 11 9/16 in [294 mm] Mtg Dia



PART NO:	RFR-1412	PART NAME:	12 IN POWER WOOFER
	RFR-1812	TOLERANCE:	N/A
RELEASE: #1 (NOV 14, 1996)	DRWN BY:	SCALE:	NTS
		APPR BY:	



Rockford Acoustic Designs
609 Myrtle North West
Grand Rapids, MI 49504
Phone: 616-456-9528
Fax: 616-456-5648