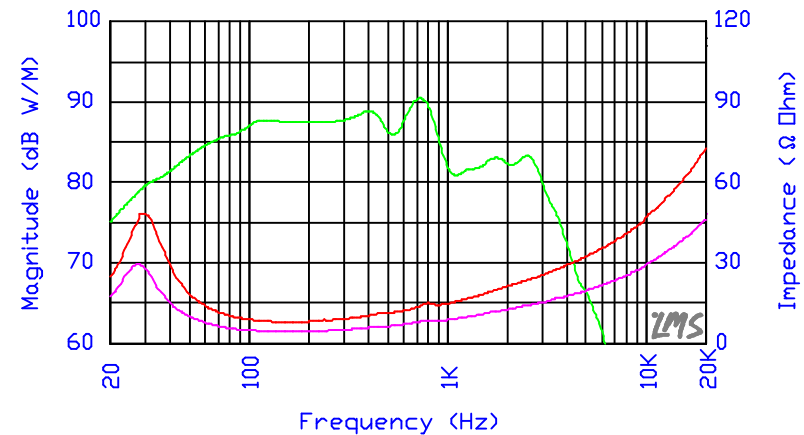
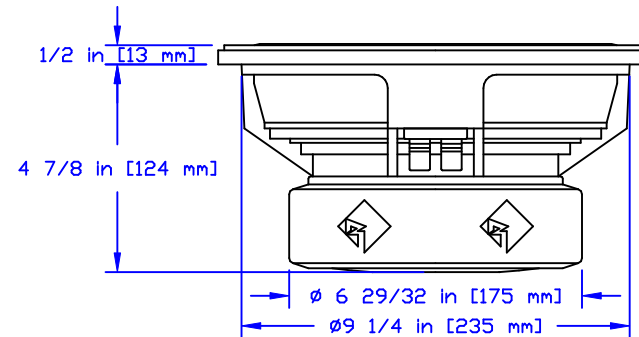
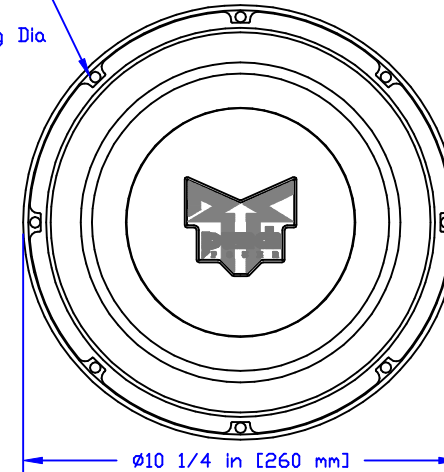


TECHNICAL DATA	RFR-1410	RFR-1810
Nominal Diameter	10 in [254 mm]	10 in [254 mm]
Magnet Weight	102oz [2,891.7g]	102oz [2,891.7g]
Frequency Range	28-1,000Hz	29-1,000Hz
Nominal Impedance	4 Ω	8 Ω
DC Resistance (Re)	3.7 Ω	7.6 Ω
Resonance Frequency (fs)	28Hz	29Hz
Mechanicl Q Factor (Qms)	2.38	2.23
Electrical Q Factor (Qes)	0.32	0.39
Total Q Factor (Qts)	0.28	0.33
Effective Cone Area (Sd)	54.26 in ² [0.035m ²]	54.26 in ² [0.035m ²]
Equivalent Air Volume (Vas)	2.0841 ft ³ [59L]	2.0841 ft ³ [59L]
Compliance (Cms)	3.40E-04	3.40E-04
Moving Mass (Mms)	3.17oz [90g]	2.96oz [84g]
Voice Coil Diameter	3.00 in [76.2 mm]	3.00 in [76.2 mm]
Voice Coil Winding Height	1.00 in [25.4 mm]	1.00 in [25.4 mm]
Voice Coil Former Material	5 Mil Aluminum	5 Mil Aluminum
Voice Coil Inductance	1.00mH	1.50mH
Force Factor (Bl)	13.7Tm	17.6Tm
Linear Excursion (Xmax)	.30 in [7.7 mm]	.30 in [7.7 mm]
Sensitivity (Spl)	88dB	88dB
Operating Power (Pe)	300W RMS	300W RMS
Specifications May Vary Per Manufacturing Tolerances And Are Subject To Improvement Without Notice. Frequency Response Curve Shown Represents Both 4 Ω And 8 Ω Units. Upper (Red) Impedance Curve For 8 Ω Unit; Lower (Magenta) Impedance Curve For 4 Ω Unit.		

(8) ϕ 1/4 in [6 mm] Holes
Equally Spaced On
9 11/16 in [246 mm] Mtg Dia



PART NO: RFR-1410 RFR-1810	PART NAME: 10 IN POWER WOOFER	
	TOLERANCE: N/A	SCALE: NTS
RELEASE: #1 (NOV 14, 1996)	DRWN BY:	APPR BY:



Rockford Acoustic Designs
609 Myrtle North West
Grand Rapids, MI 49504
Phone: 616-456-9528
Fax: 616-456-5648