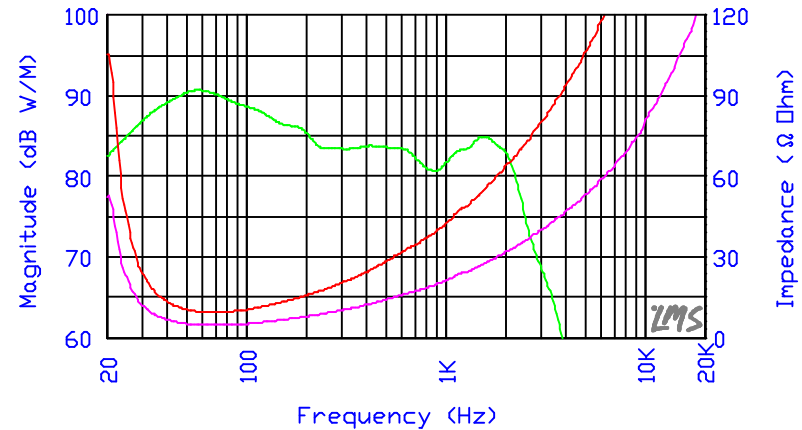
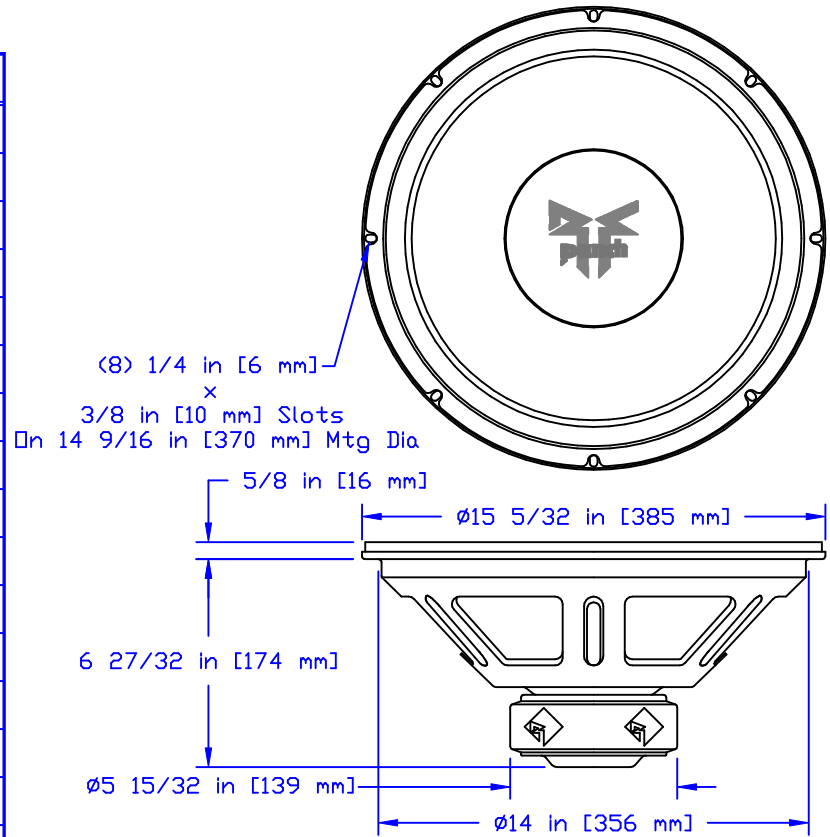


TECHNICAL DATA	RFP-1415	RFP-1815
Nominal Diameter	15 in [381 mm]	15 in [381 mm]
Magnet Weight	60oz [1701g]	60oz [1701g]
Frequency Range	21-250Hz	23-250Hz
Nominal Impedance	4 Ω	8 Ω
DC Resistance (Re)	3.6 Ω	7.2 Ω
Resonance Frequency (fs)	21Hz	23Hz
Mechanical Q Factor (Qms)	6.24	5.85
Electrical Q Factor (Qes)	0.38	0.44
Total Q Factor (Qts)	0.36	0.41
Effective Cone Area (Sd)	133.31 in ² [0.086m ²]	133.31 in ² [0.086m ²]
Equivalent Air Volume (Vas)	14.3412 ft ³ [406L]	14.3412 ft ³ [406L]
Compliance (Cms)	3.87E-04	3.87E-04
Moving Mass (Mms)	4.5503oz [129g]	4.2681oz [121g]
Voice Coil Diameter	2 in [50.8 mm]	2 in [50.8 mm]
Voice Coil Winding Height	1 in [25.4 mm]	1 in [25.4 mm]
Voice Coil Former Material	5 Mil Aluminum	5 Mil Aluminum
Voice Coil Inductance	2.2mH	3.5mH
Force Factor (Bl)	13.1Tm	16.8Tm
Linear Excursion (Xmax)	.31 in [8 mm]	.31 in [8 mm]
Sensitivity (Spl)	93dB	92dB
Operating Power (Pe)	200W RMS	200W RMS
Specifications May Vary Per Manufacturing Tolerances And Are Subject To Improvement Without Notice. Frequency Response Curve Shown Represents Both 4Ω And 8Ω Units. Upper (Red) Impedance Curve For 8Ω Unit; Lower (Magenta) Impedance Curve For 4Ω Unit.		



PART NO: RFP-1415 RFP-1815	PART NAME: 15 IN PUNCH WOOFER	
	TOLERANCE: N/A	SCALE: NTS
RELEASE: #1 (JULY 12, 1996)	DRWN BY:	APPR BY:



Rockford Acoustic Designs
 609 Myrtle North West
 Grand Rapids, MI 49504
 Phone: 616-456-9528
 Fax: 616-456-5648