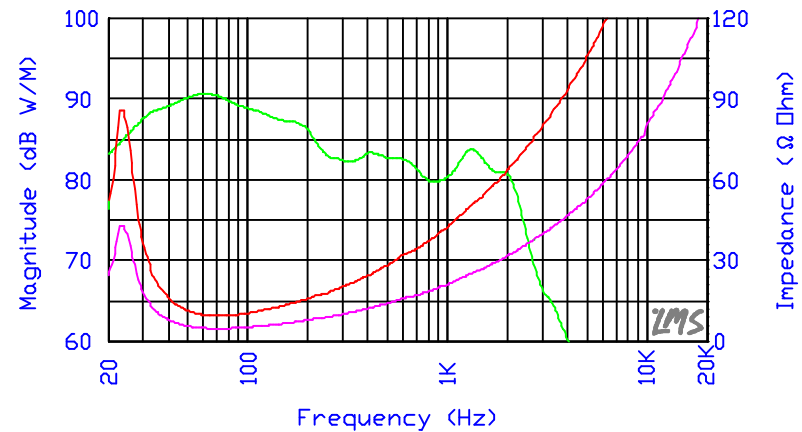
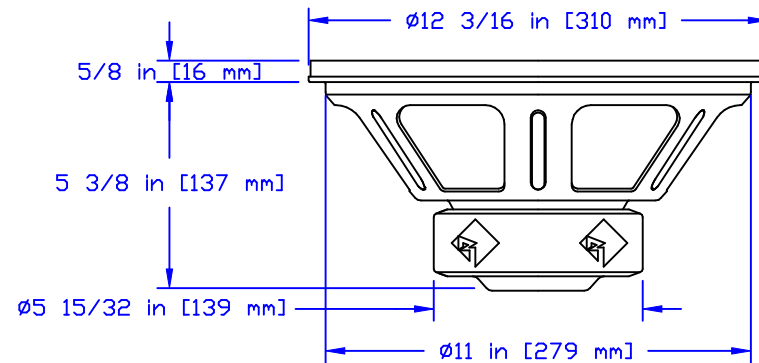
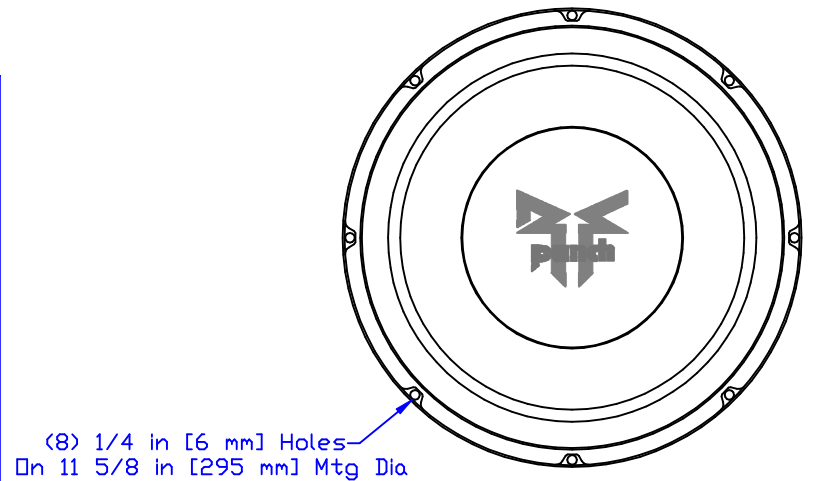


TECHNICAL DATA	RFP-1412	RFP-1812
Nominal Diameter	12 in [305 mm]	12 in [305 mm]
Magnet Weight	30oz [850.5g]	30oz [850.5g]
Frequency Range	23-250Hz	25-250Hz
Nominal Impedance	4 $\Omega$	8 $\Omega$
DC Resistance (Re)	3.6 $\Omega$	7.2 $\Omega$
Resonance Frequency (fs)	23Hz	25Hz
Mechanical Q Factor (Qms)	5.00	5.40
Electrical Q Factor (Qes)	0.42	0.47
Total Q Factor (Qts)	0.38	0.43
Effective Cone Area (Sd)	83.71 in <sup>2</sup> [0.054m <sup>2</sup> ]	83.71 in <sup>2</sup> [0.054m <sup>2</sup> ]
Equivalent Air Volume (Vas)	6.2875 ft <sup>3</sup> [178L]	6.2875 ft <sup>3</sup> [178L]
Compliance (Cms)	4.30E-04	4.30E-04
Moving Mass (Mms)	3.4216oz [97g]	3.1041oz [88g]
Voice Coil Diameter	2 in [50.8 mm]	2 in [50.8 mm]
Voice Coil Winding Height	1 in [25.4 mm]	1 in [25.4 mm]
Voice Coil Former Material	5 Mil Aluminum	5 Mil Aluminum
Voice Coil Inductance	2.5mH	4mH
Force Factor (Bl)	11.4Tm	14.8Tm
Linear Excursion (Xmax)	.31 in [8 mm]	.31 in [8 mm]
Sensitivity (Spl)	90dB	90dB
Operating Power (Pe)	200W RMS	200W RMS
Specifications May Vary Per Manufacturing Tolerances And Are Subject To Improvement Without Notice. Frequency Response Curve Shown Represents Both 4 $\Omega$ And 8 $\Omega$ Units. Upper (Red) Impedance Curve For 8 $\Omega$ Unit; Lower (Magenta) Impedance Curve For 4 $\Omega$ Unit.		



PART NO: RFP-1412 RFP-1812	PART NAME: 12 IN PUNCH WOOFER	
	TOLERANCE: N/A	SCALE: NTS
RELEASE:#1 (JULY 12, 1996)	DRWN BY:	APPR BY:



Rockford Acoustic Designs  
609 Myrtle North West  
Grand Rapids, MI 49504  
Phone: 616-456-9528  
Fax: 616-456-5648