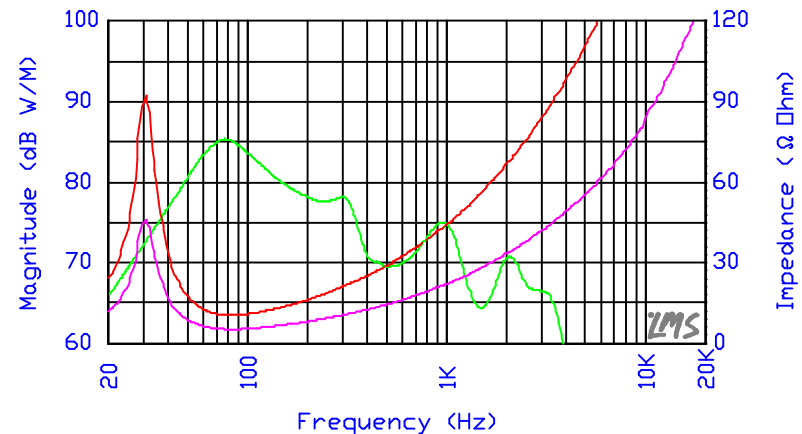
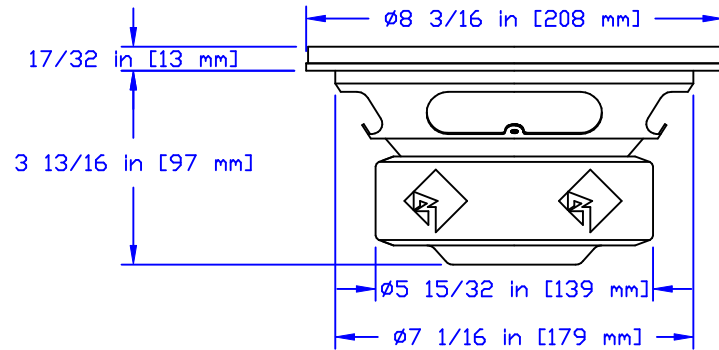
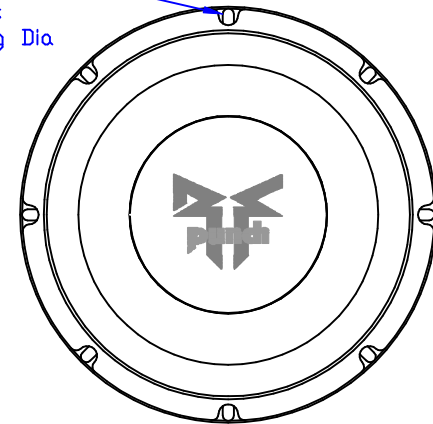


TECHNICAL DATA	RFP-1408	RFP-1808
Nominal Diameter	8 in [203.2 mm]	8 in [203.2 mm]
Magnet Weight	30oz [850.5g]	30oz [850.5g]
Frequency Range	30-500Hz	30-500Hz
Nominal Impedance	4 Ω	8 Ω
DC Resistance (Re)	3.6 Ω	7.2 Ω
Resonance Frequency (fs)	30Hz	32Hz
Mechanical Q Factor (Qms)	4.89	5.00
Electrical Q Factor (Qes)	0.32	0.33
Total Q Factor (Qts)	0.30	0.31
Effective Cone Area (Sd)	34.10 in ² [0.22m ²]	34.10 in ² [0.22m ²]
Equivalent Air Volume (Vas)	.8831 ft ³ [25L]	.8831 ft ³ [25L]
Compliance (Cms)	3.60E-04	3.60E-04
Moving Mass (Mms)	2.8219oz [80g]	2.4692oz [70g]
Voice Coil Diameter	2 in [50.8 mm]	2 in [50.8 mm]
Voice Coil Winding Height	1 in [25.4 mm]	1 in [25.4 mm]
Voice Coil Former Material	5 Mil Aluminum	5 Mil Aluminum
Voice Coil Inductance	2.5mH	4mH
Force Factor (Bl)	12.9Tm	17.5Tm
Linear Excursion (Xmax)	.31 in [8 mm]	.31 in [8 mm]
Sensitivity (Spl)	85dB	86dB
Operating Power (Pe)	200W RMS	200W RMS
Specifications May Vary Per Manufacturing Tolerances And Are Subject To Improvement Without Notice. Frequency Response Curve Shown Represents Both 4Ω And 8Ω Units. Upper (Red) Impedance Curve For 8Ω Unit; Lower (Magenta) Impedance Curve For 4Ω Unit.		

(8) 3/8 in [10 mm]
x
7/32 in [6 mm] Slots
On 7 3/4 in [197 mm] Mtg Dia



PART NO: RFP-1408	PART NAME: 8 IN PUNCH WOOFER	
RFP-1808	TOLERANCE: N/A	SCALE: NTS
RELEASE:#1 (JULY 12, 1996)	DRWN BY:	APPR BY:



Rockford Acoustic Designs
609 Myrtle North West
Grand Rapids, MI 49504
Phone: 616-456-9528
Fax: 616-456-5648