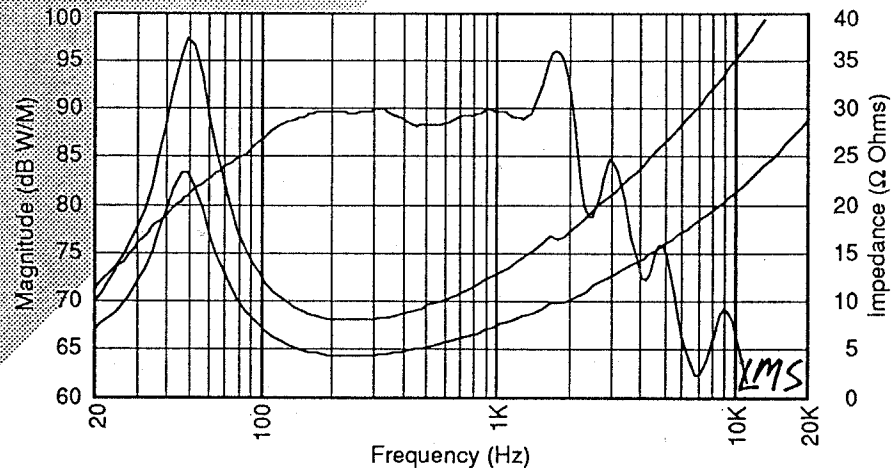
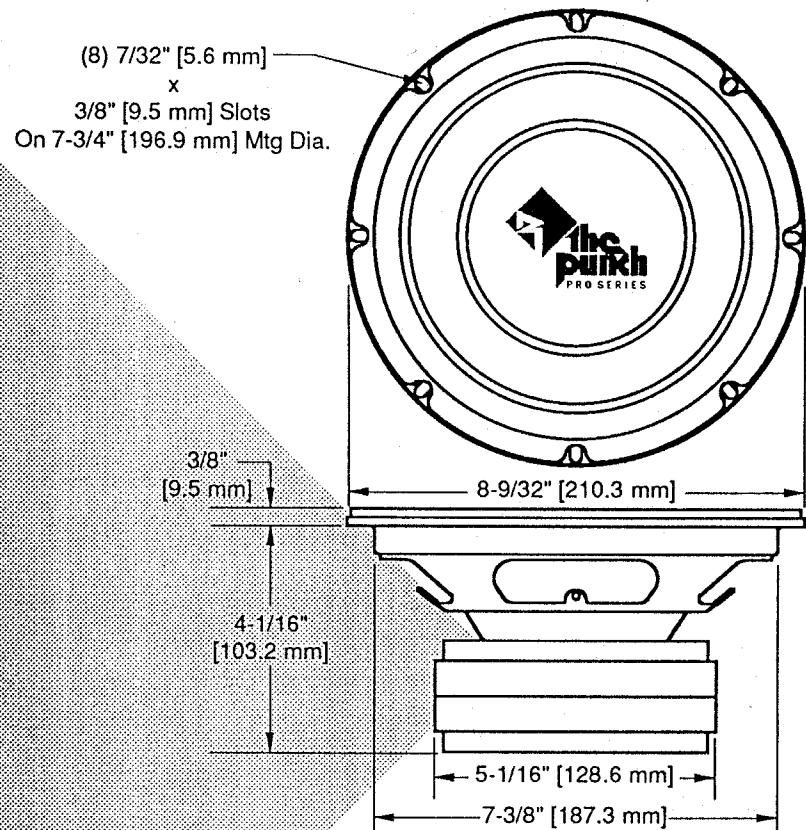


TECHNICAL DATA	SPP-84	SPP-88
Nominal Diameter	8.00 in [203.2 mm]	8.00 in [203.2 mm]
Magnet Weight	60.00 oz [1701.0 g]	60.00 oz [1701.0 g]
Frequency Range	39 - 2,500 Hz	44 - 2,500 Hz
Nominal Impedance	4Ω	8Ω
DC Resistance (<i>RE</i>)	3.5Ω	7.9Ω
Resonance Frequency (<i>fs</i>)	39 Hz	44 Hz
Mechanical Q Factor (<i>Qms</i>)	2.03	2.12
Electrical Q Factor (<i>Qes</i>)	0.35	0.47
Total Q Factor (<i>Qts</i>)	0.30	0.39
Effective Cone Area (<i>Sd</i>)	35.81 in ² [0.0231 m ²]	35.81 in ² [0.0231 m ²]
Equivalent Air Volume (<i>Vas</i>)	1.236 ft ³ [35.0 L]	1.236 ft ³ [35.0 L]
Compliance (<i>Cms</i>)	0.00046 m/N	0.00046 m/N
Moving Mass (<i>Mms</i>)	1.25 oz [35.5 g]	0.98 oz [27.8 g]
Voice Coil Diameter	2.00 in [50.8 mm]	2.00 in [50.8 mm]
Voice Coil Winding Height	0.72 in [18.3 mm]	0.72 in [18.3 mm]
Voice Coil Former Material	5 Mil Aluminum	5 Mil Aluminum
Voice Coil Inductance	0.81 mH	1.10 mH
Force Factor (<i>Bl</i>)	9.3 Tm	11.4 Tm
Linear Excursion (<i>Xmax</i>)	0.17 in [4.3 mm]	0.17 in [4.3 mm]
Sensitivity (<i>SPL</i>)	90.0 dB W/m	90.0 dB W/m
Operating Power (<i>PE</i>)	150 W	150 W
Specifications May Vary Per Manufacturing Tolerances And Are Subject To Improvement Without Notice Frequency Response Curve Shown Represents Both 4Ω And 8Ω Units Upper Impedance Curve For 8Ω Unit; Lower Impedance Curve For 4Ω Unit		



PART NO.: SPP-84

PART NAME: 8" Pro Woofer

SPP-88

TOLERANCE: N/A

SCALE: N.T.S.

RELEASE: #3 (Jun 17, 1993)

DRWN BY: *BSW*

APPR BY: *Amel*

Jockford Fosgate