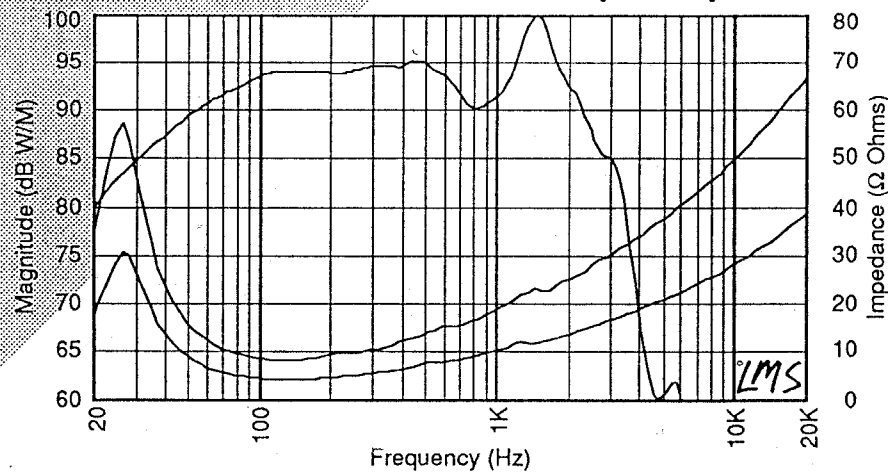
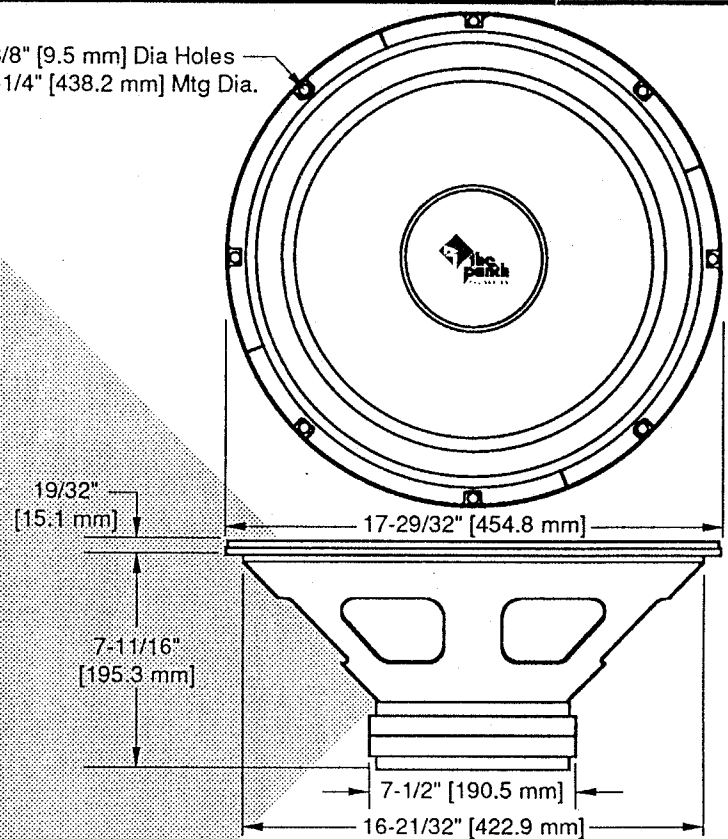


TECHNICAL DATA	SPP-184	SPP-188
Nominal Diameter	18.00 in [457.2 mm]	18.00 in [457.2 mm]
Magnet Weight	156.00 oz [4422.5 g]	156.00 oz [4422.5 g]
Frequency Range	27 - 2,500 Hz	28 - 2,500 Hz
Nominal Impedance	4Ω	8Ω
DC Resistance ( <i>RE</i> )	3.5Ω	7.1Ω
Resonance Frequency ( <i>fs</i> )	27 Hz	28 Hz
Mechanical Q Factor ( <i>QMS</i> )	2.37	2.85
Electrical Q Factor ( <i>QES</i> )	0.30	0.38
Total Q Factor ( <i>QTS</i> )	0.27	0.34
Effective Cone Area ( <i>SD</i> )	176.86 in <sup>2</sup> [0.1141 m <sup>2</sup> ]	176.86 in <sup>2</sup> [0.1141 m <sup>2</sup> ]
Equivalent Air Volume ( <i>VAS</i> )	12.466 ft <sup>3</sup> [353.0 L]	12.466 ft <sup>3</sup> [353.0 L]
Compliance ( <i>CMS</i> )	0.00019 m/N	0.00019 m/N
Moving Mass ( <i>MMS</i> )	6.43 oz [182.2 g]	5.80 oz [164.3 g]
Voice Coil Diameter	3.00 in [76.2 mm]	3.00 in [76.2 mm]
Voice Coil Winding Height	0.97 in [24.6 mm]	0.98 in [24.9 mm]
Voice Coil Former Material	5 Mil Aluminum	5 Mil Aluminum
Voice Coil Inductance	1.05 mH	1.92 mH
Force Factor ( <i>Bl</i> )	19.1 Tm	23.3 Tm
Linear Excursion ( <i>Xmax</i> )	0.24 in [6.0 mm]	0.24 in [6.0 mm]
Sensitivity ( <i>SPL</i> )	95.0 dB W/m	95.0 dB W/m
Operating Power ( <i>PE</i> )	300 W	300 W
Specifications May Vary Per Manufacturing Tolerances And Are Subject To Improvement Without Notice Frequency Response Curve Shown Represents Both 4Ω And 8Ω Units Upper Impedance Curve For 8Ω Unit; Lower Impedance Curve For 4Ω Unit		

(8) 3/8" [9.5 mm] Dia Holes  
On 17-1/4" [438.2 mm] Mtg Dia.



PART NO.: SPP-184	PART NAME: 18" Pro Woofer	
SPP-188	TOLERANCE: N/A	SCALE: N.T.S.
RELEASE: #3 (Jun 17, 1993)	DRWN BY: <i>ESW</i>	APPR BY: <i>Chum</i>

**Jockford Fosgate**