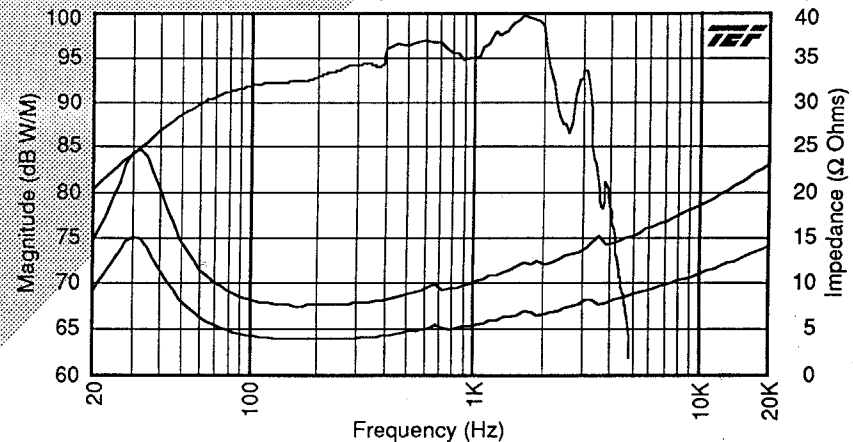
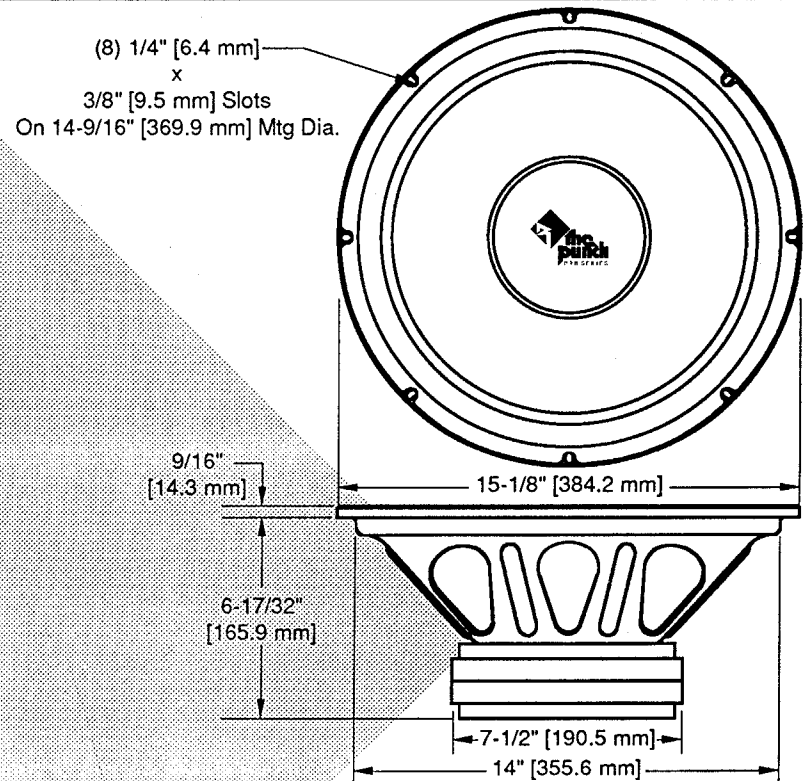


TECHNICAL DATA	SPP-154	SPP-158
Nominal Diameter	15.00 in [381.0 mm]	15.00 in [381.0 mm]
Magnet Weight	156.00 oz [4430.4 g]	156.00 oz [4430.4 g]
Frequency Range	30 - 3,500 Hz	30 - 3,500 Hz
Nominal Impedance	4Ω	8Ω
DC Resistance (<i>RE</i>)	3.6Ω	7.1Ω
Resonance Frequency (<i>fs</i>)	30 Hz	31 Hz
Mechanical Q Factor (<i>QMS</i>)	1.74	1.54
Electrical Q Factor (<i>QES</i>)	0.52	0.56
Total Q Factor (<i>QTS</i>)	0.40	0.42
Effective Cone Area (<i>SD</i>)	134.54 in ² [0.0868 m ²]	134.54 in ² [0.0868 m ²]
Equivalent Air Volume (<i>VAS</i>)	9.289 ft ³ [235.0 L]	9.289 ft ³ [235.0 L]
Compliance (<i>CMS</i>)	0.00022 m/N	0.00022 m/N
Moving Mass (<i>MMS</i>)	4.50 oz [127.7 g]	4.22 oz [119.7 g]
Voice Coil Diameter	3.00 in [76.2 mm]	3.00 in [76.2 mm]
Voice Coil Winding Height	0.73 in [18.5 mm]	0.73 in [18.5 mm]
Voice Coil Former Material	5 Mil Aluminum	5 Mil Aluminum
Voice Coil Inductance	0.33 mH	0.59 mH
Force Factor (<i>BI</i>)	12.8 Tm	17.0 Tm
Linear Excursion (<i>Xmax</i>)	0.15 in [3.8 mm]	0.15 in [3.8 mm]
Sensitivity (<i>SPL</i>)	93.0 dB W/m	93.0 dB W/m
Operating Power (<i>PE</i>)	200 W	200 W
Specifications May Vary Per Manufacturing Tolerances And Are Subject To Improvement Without Notice Frequency Response Curve Shown Represents Both 4Ω And 8Ω Units Upper Impedance Curve For 8Ω Unit; Lower Impedance Curve For 4Ω Unit		



PART NO:	SPP-154	PART NAME: 15" Pro Woofer	
	SPP-158	TOLERANCE: N/A	SCALE: N.T.S.
RELEASE: #2 (10-29-90)		DRWN BY: <i>RSW</i>	APPR BY: <i>Chun</i>

Jockford Fosgate

