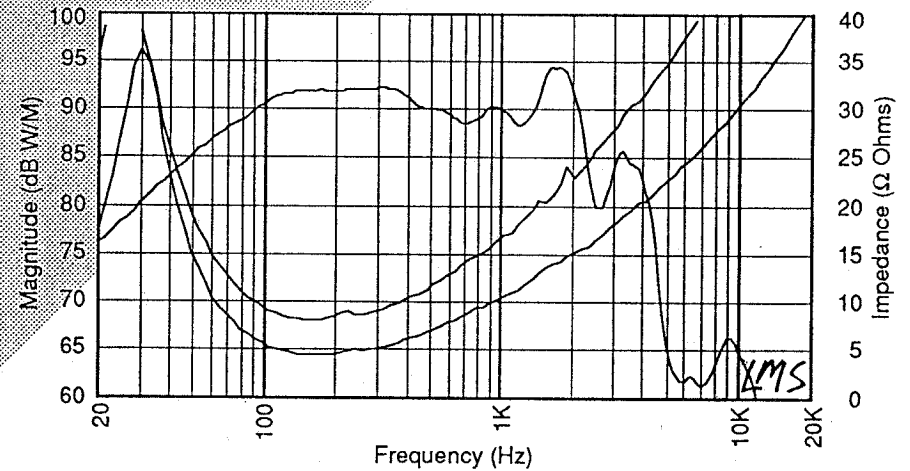
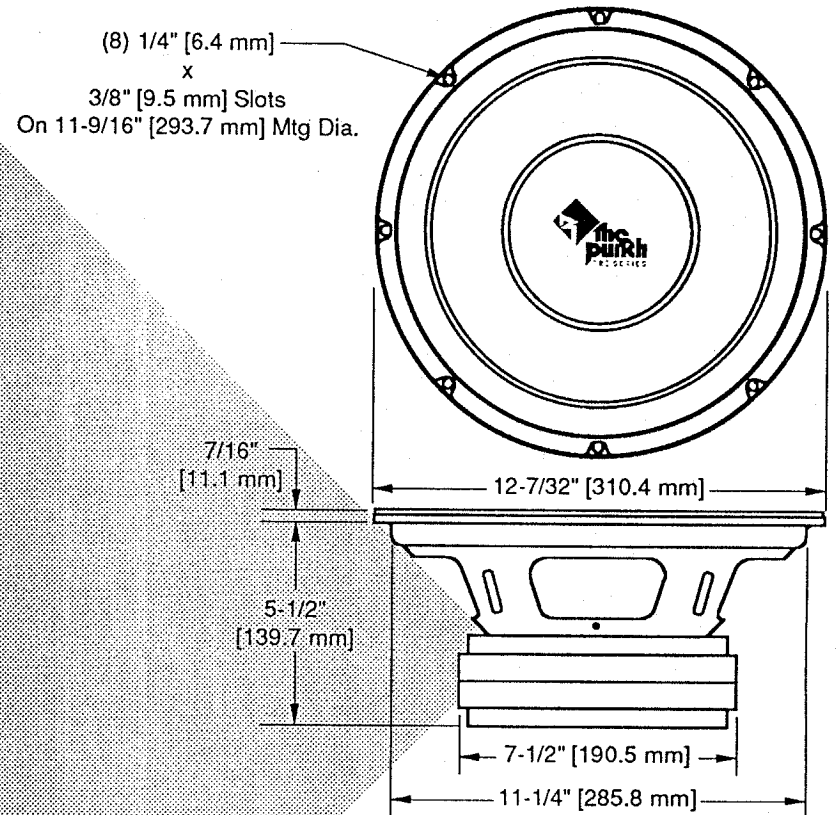


TECHNICAL DATA	SPP-124	SPP-128
Nominal Diameter	12.00 in [304.8 mm]	12.00 in [304.8 mm]
Magnet Weight	156.00 oz [4422.5 g]	156.00 oz [4422.5 g]
Frequency Range	31 - 2,500 Hz	32 - 2,500 Hz
Nominal Impedance	4Ω	8Ω
DC Resistance (RE)	3.5Ω	7.0Ω
Resonance Frequency (fs)	31 Hz	32 Hz
Mechanical Q Factor (QMS)	2.17	2.15
Electrical Q Factor (QES)	0.23	0.30
Total Q Factor (QTS)	0.21	0.27
Effective Cone Area (SD)	84.48 in ² [0.0545 m ²]	84.48 in ² [0.0545 m ²]
Equivalent Air Volume (VAs)	2.967 ft ³ [84.0 L]	2.967 ft ³ [84.0 L]
Compliance (CMS)	0.00020 m/N	0.00020 m/N
Moving Mass (MMS)	4.64 oz [131.6 g]	4.64 oz [131.6 g]
Voice Coil Diameter	3.00 in [76.2 mm]	3.00 in [76.2 mm]
Voice Coil Winding Height	0.99 in [25.1 mm]	0.99 in [25.1 mm]
Voice Coil Former Material	5 Mil Aluminum	5 Mil Aluminum
Voice Coil Inductance	1.12 mH	1.73 mH
Force Factor (BI)	19.7 Tm	23.9 Tm
Linear Excursion (Xmax)	0.24 in [6.2 mm]	0.24 in [6.2 mm]
Sensitivity (SPL)	92 dB W/m	92 dB W/m
Operating Power (PE)	200 W	200 W
Specifications May Vary Per Manufacturing Tolerances And Are Subject To Improvement Without Notice Frequency Response Curve Shown Represents Both 4Ω And 8Ω Units Upper Impedance Curve For 8Ω Unit; Lower Impedance Curve For 4Ω Unit		



PART NO.: SPP-124	PART NAME: 12" Pro Woofer	
SPP-128	TOLERANCE: N/A	SCALE: N.T.S.
RELEASE: #3 (Jun 17, 1993)	DRWN BY: <i>ESW</i>	APPR BY: <i>Chund</i>

