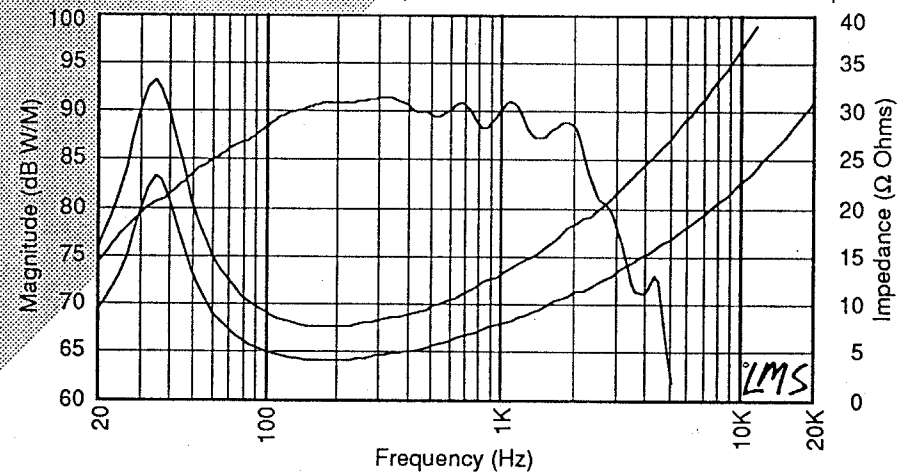
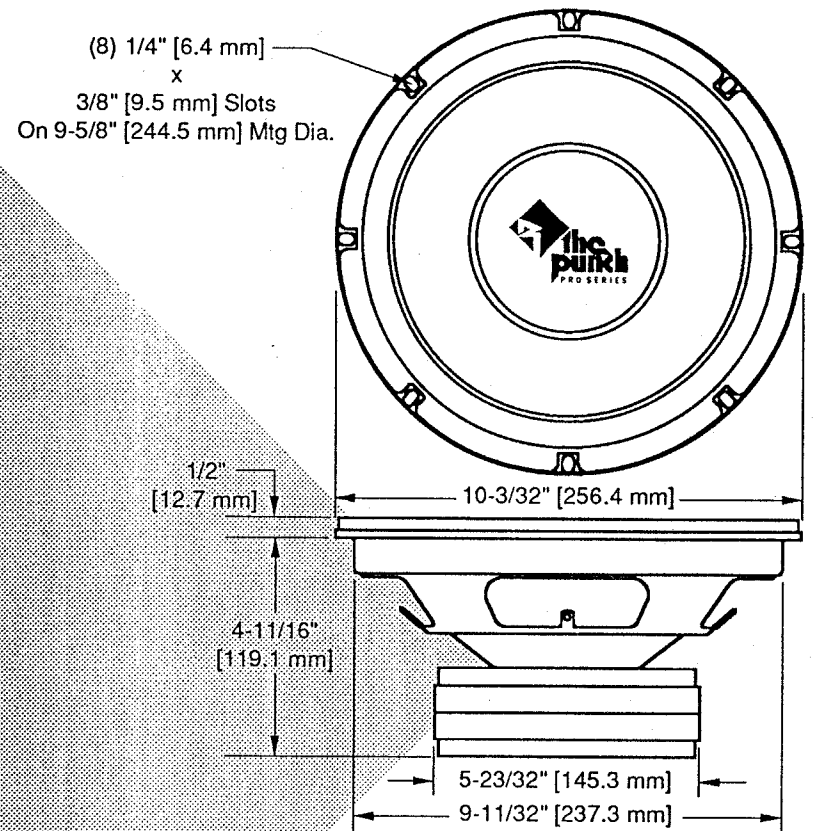


TECHNICAL DATA	SPP-104	SPP-108
Nominal Diameter	10.00 in [254.0 mm]	10.00 in [254.0 mm]
Magnet Weight	64.00 oz [1814.4 g]	64.00 oz [1814.4 g]
Frequency Range	34 - 2,500 Hz	35 - 2,500 Hz
Nominal Impedance	4Ω	8Ω
DC Resistance (RE)	3.3Ω	6.6Ω
Resonance Frequency (fs)	34 Hz	35 Hz
Mechanical Q Factor (Qms)	2.15	1.84
Electrical Q Factor (Qes)	0.32	0.47
Total Q Factor (Qts)	0.28	0.38
Effective Cone Area (Sd)	55.49 in <sup>2</sup> [0.0358 m <sup>2</sup> ]	55.49 in <sup>2</sup> [0.0358 m <sup>2</sup> ]
Equivalent Air Volume (Vas)	2.401 ft <sup>3</sup> [68.0 L]	2.401 ft <sup>3</sup> [68.0 L]
Compliance (Cms)	0.00037 m/N	0.00037 m/N
Moving Mass (Mms)	2.06 oz [58.5 g]	1.95 oz [55.3 g]
Voice Coil Diameter	2.50 in [63.5 mm]	2.50 in [63.5 mm]
Voice Coil Winding Height	0.78 in [19.8 mm]	0.78 in [19.8 mm]
Voice Coil Former Material	5 Mil Aluminum	5 Mil Aluminum
Voice Coil Inductance	0.76 mH	1.18 mH
Force Factor (Bl)	11.4 Tm	13.0 Tm
Linear Excursion (Xmax)	0.20 in [5.1 mm]	0.20 in [5.1 mm]
Sensitivity (SPL)	91.0 dB W/m	91.0 dB W/m
Operating Power (PE)	150 W	150 W
Specifications May Vary Per Manufacturing Tolerances And Are Subject To Improvement Without Notice Frequency Response Curve Shown Represents Both 4Ω And 8Ω Units Upper Impedance Curve For 8Ω Unit; Lower Impedance Curve For 4Ω Unit		



PART NO.: SPP-104	PART NAME: 10" Pro Woofer	
SPP-108	TOLERANCE: N/A	SCALE: N.T.S.
RELEASE: #3 (J. 7, 1993)	DRWN BY: <i>RSW</i>	APPR BY: <i>Chum</i>

