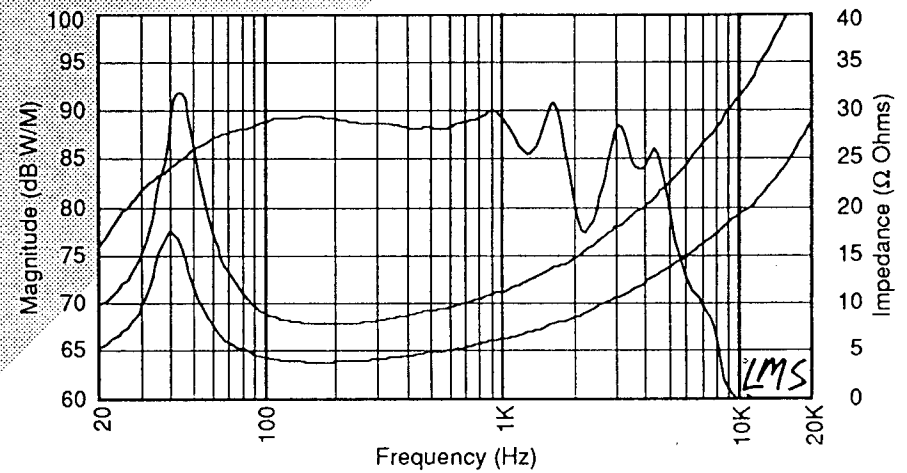
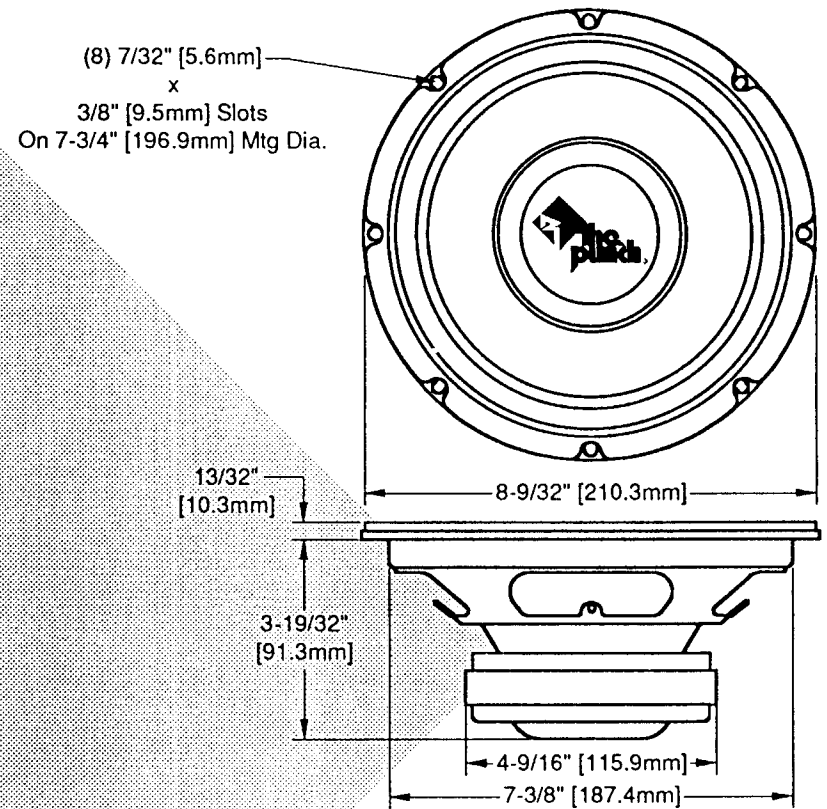


TECHNICAL DATA	PCH-84	PCH-88
Nominal Diameter	8.00 in [203.2 mm]	8.00 in [203.2 mm]
Magnet Weight	22.00 oz [623.7 g]	22.00 oz [623.7 g]
Frequency Range	42 - 1,500 Hz	44 - 1,500 Hz
Nominal Impedance	4Ω	8Ω
DC Resistance (RE)	3.4Ω	6.8Ω
Resonance Frequency (fs)	42 Hz	44 Hz
Mechanical Q Factor (QMS)	2.14	1.91
Electrical Q Factor (QES)	0.42	0.59
Total Q Factor (QTS)	0.35	0.45
Effective Cone Area (Sd)	34.10 in ² [0.0220 m ²]	34.10 in ² [0.0220 m ²]
Equivalent Air Volume (VAS)	1.377 ft ³ [39.0 L]	1.377 ft ³ [39.0 L]
Compliance (CMS)	0.00057 m/N	0.00057 m/N
Moving Mass (MMS)	0.88 oz [25.0 g]	0.81 oz [23.0 g]
Voice Coil Diameter	2.00 in [50.8 mm]	2.00 in [50.8 mm]
Voice Coil Winding Height	0.56 in [14.2 mm]	0.56 in [14.2 mm]
Voice Coil Former Material	5 Mil Aluminum	5 Mil Aluminum
Voice Coil Inductance	0.48 mH	0.73 mH
Force Factor (BI)	7.3 Tm	8.6 Tm
Linear Excursion (Xmax)	0.17 in [4.3 mm]	0.17 in [4.3 mm]
Sensitivity (SPL)	90.0 dB W/m	90.0 dB W/m
Operating Power (PE)	100 W	100 W
Specifications May Vary Per Manufacturing Tolerances And Are Subject To Improvement Without Notice Frequency Response Curve Shown Represents Both 4Ω And 8Ω Units Upper Impedance Curve For 8Ω Unit; Lower Impedance Curve For 4Ω Unit		



PART NO.: PCH-84	PART NAME: 8" Punch Woofer	
PCH-88	TOLERANCE: N/A	SCALE: N.T.S.
RELEASE: #2 (Dec 2, 1992)	DRWN BY: <i>[Signature]</i>	APPR BY: <i>[Signature]</i>

